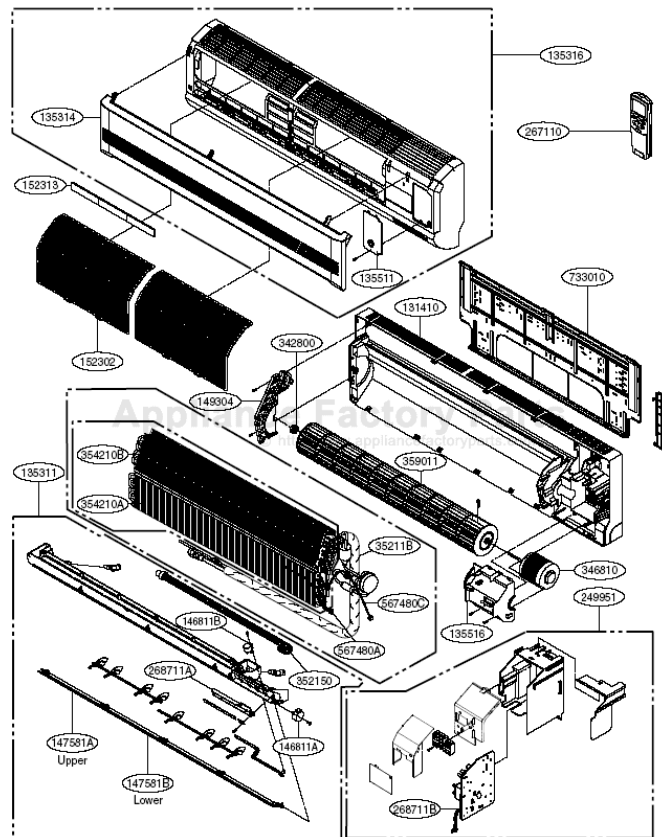


This Owner's Manual is provided and hosted by [Appliance Factory Parts](http://ApplianceFactoryParts.com).



# HEAT CONTROLLER VMH30SB-1 Owner's Manual

[Shop genuine replacement parts for HEAT CONTROLLER VMH30SB-1](#)



[Find Your HEAT CONTROLLER Air Conditioner Parts - Select From 32 Models](#)

----- Manual continues below -----

HEAT CONTROLLER, INC.

**Wall Mounted  
Mini-Split System  
Inverter Single-Zone  
Air Conditioning**

*Service Manual*

**Model: AS-W303DPZ0[VMH30SB-1]  
AS-Q303DPZ0[VMC30SB-1]**

**CAUTION**

Before servicing the unit, read the  
“safety precautions” in this manual.

Only for authorized service personnel.

# 1. Specification

| Models                            |                                       | AS-W303DPZ0[VMH30SB-1]         | AS-Q303DPZ0[VMC30SB-1] |
|-----------------------------------|---------------------------------------|--------------------------------|------------------------|
| Cooling Capacity (Min~Rating~Max) |                                       | kW<br>3.5~7.9~7.9              | 3.5~7.9~7.9            |
|                                   |                                       | Btu/h<br>12000~27000~27000     | -                      |
| Heating Capacity (Min~Rating~Max) |                                       | kW<br>3.5~8.5~8.5              | -                      |
|                                   |                                       | Btu/h<br>12000~29000~29000     | 12000~29000~29000      |
| Power Input                       | Cooling/Heating                       | W<br>3100/3200                 | 3100/3200              |
| Running Current                   | Cooling/Heating                       | A<br>13.6/14.0                 | 13.6/14.0              |
| Starting Current                  | Cooling/Heating                       | A<br>13.1/14.0                 | 13.1/14.0              |
| EER                               |                                       | W/W<br>2.55                    | 2.55                   |
|                                   |                                       | Btu/h.W<br>8.71                | 8.71                   |
| COP                               |                                       | W/W<br>2.66                    | -                      |
| Power Supply                      |                                       | Ø / V / Hz<br>1/208~230/60     | 1/208~230/60           |
| Power Factor                      |                                       | %<br>97                        | 97                     |
| Air Flow Rate                     | Indoor,Max                            | m³/min(cfm)<br>21(742)         | 21(742)                |
|                                   | Outdoor,Max                           | m³/min(cfm)<br>58(2048)        | 58(2048)               |
| Moisture Removal                  |                                       | l/h<br>2.8                     | 2.8                    |
| Sound Level                       | Indoor,H/M/L                          | dB(A)+3<br>47/43/41            | 47/43/41               |
|                                   | Outdoor,Max                           | dB(A)+3<br>58                  | 58                     |
| Refrigerant & Charge(at 7.5m)     |                                       | g(oz)<br>R410A 1830(64.6)      | R410A 1830(64.6)       |
| Additional Refrigerant Charge     |                                       | g/m(oz/ft)<br>20(0.22)         | 20(0.22)               |
| Compressor                        | Type                                  | SCROLL + ROTARY                | SCROLL + ROTARY        |
|                                   | Model                                 | 5CS130XCC03 + GK141KAA         | 5CS130XCC03 + GK141KAA |
|                                   | Motor Type                            | BLDC + AC                      | BLDC + AC              |
|                                   | Oil Type                              | POE                            | POE                    |
|                                   | Oil Charge                            | cc<br>480 + 350                | 480 + 350              |
|                                   | O.L.P Name                            | -                              | -                      |
| Fan(Indoor)                       | Type                                  | Cross Flow Fan                 | Cross Flow Fan         |
|                                   | Motor Output                          | W<br>91                        | 91                     |
| Fan(outdoor)                      | Type                                  | Propeller                      | Propeller              |
|                                   | Motor Type                            | AC                             | AC                     |
|                                   | Motor Output                          | W<br>140                       | 140                    |
| Circuit Breaker*                  |                                       | A<br>30                        | 30                     |
| Power Supply Cable                |                                       | No.*mm²<br>3*2.08              | 3*2.08                 |
| Power and Transmission Cable      |                                       | No.*mm²+No.*mm²<br>4*0.82      | 4*0.82                 |
| Piping Connections                | Liquid Side                           | mm(in)<br>6.35(1/4)            | 6.35(1/4)              |
|                                   | Gas Side                              | mm(in)<br>15.88(5/8)           | 15.88(5/8)             |
| Drain Hose                        | O.D , I.D                             | mm(in)<br>21.5,16(0.85,0.63)   | 21.5,16(0.85,0.63)     |
| Dimension                         | Indoor(W*H*D)                         | mm<br>1209*346*205             | 1209*346*205           |
|                                   |                                       | inch<br>47.6*13.6*8.1          | 47.6*13.6*8.1          |
|                                   | Outdoor(W*H*D)                        | mm<br>800*870*320              | 800*870*320            |
|                                   |                                       | inch<br>31.5*34.3*12.6         | 31.5*34.3*12.6         |
| Net Weight                        | Indoor                                | kg(lbs)<br>17(37.5)            | 17(37.5)               |
|                                   | Outdoor                               | kg(lbs)<br>67(147.7)           | 67(147.7)              |
| Operation Range                   | Cooling(Outdoor)                      | °C(°F)<br>-5°C~43°C (23~109.4) | -5°C~43°C (23~109.4)   |
|                                   | Heating(Outdoor)                      | °C(°F)<br>-5°C~27°C(23~80.6)   | -                      |
| Max. Piping Length                |                                       | m(ft)<br>30(98.4)              | 30(98.4)               |
| Max. Elevation Difference         |                                       | m(ft)<br>15(49)                | 15(49)                 |
| Tool Code(Chassis)                | Indoor + Outdoor                      | SD+UE1                         | SD+UE1                 |
| Functions                         | Temperature Control                   | Thermistor                     | Thermistor             |
|                                   | Plasma Filter                         | -                              | -                      |
|                                   | Prefilter(washable/anti-fungus)       | ○                              | ○                      |
|                                   | Auto Clean                            | ○                              | ○                      |
|                                   | CHAOS Wind(Auto Wind)                 | ○(-)                           | ○(-)                   |
|                                   | Steps, Fan/Cool/Heat                  | 3/4/4                          | 3/4/4                  |
|                                   | Airflow Direction Control(up&down)    | Auto                           | Auto                   |
|                                   | Airflow Direction Control(left&right) | Auto                           | Auto                   |
|                                   | Remocon Type                          | Wireless LCD                   | Wireless LCD           |
|                                   | Setting Temperature                   | Cooling<br>18 ~ 30(64~86)      | 18 ~ 30(64~86)         |
|                                   | Range                                 | Heating<br>16 ~ 30             | -                      |
|                                   | Auto Operation (Micom Control)        | -                              | -                      |
|                                   | Auto Changeover (Micom Control)       | ○                              | ○                      |
|                                   | Self Diagnosis                        | ○                              | ○                      |
|                                   | Timer                                 | 24h, On/Off                    | 24h, On/Off            |
|                                   | Sleep Operation                       | ○                              | ○                      |
|                                   | Soft Dry Operation                    | ○                              | ○                      |
|                                   | Restart Delay(minute)                 | 2                              | 2                      |
|                                   | Deice Control(Defrost)                | ○                              | -                      |
|                                   | Hot Start                             | ○                              | -                      |
|                                   | Jet Cool                              | ○                              | ○                      |
|                                   | Low Ambient Operation                 | ○                              | ○                      |
|                                   | Special Function                      | -                              | -                      |
| Network Functions                 | Dry Contact                           | -                              | -                      |
|                                   | Network Solution(LGAP)                | -                              | -                      |
|                                   | PI485                                 | -                              | -                      |

**Note:**

○ : Applied, - : No relation

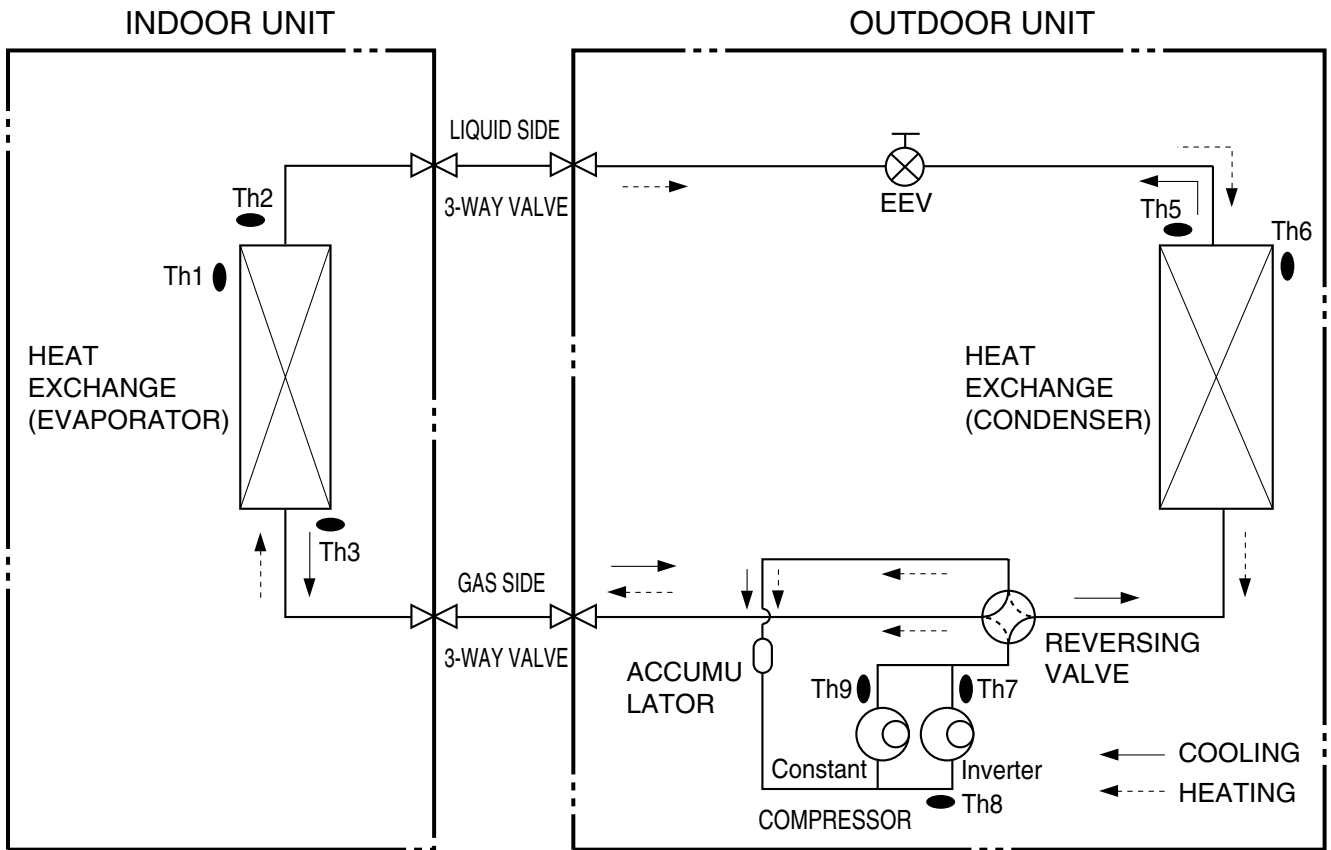
\* For circuit breaker rating, please conform to local standards wherever necessary.

\* Some of functions are slightly different depending upon models.

\* The specification may be subject to change without prior notice for purpose of improvement.

\* Capacity : based on 230V.

## 2. Piping Diagrams

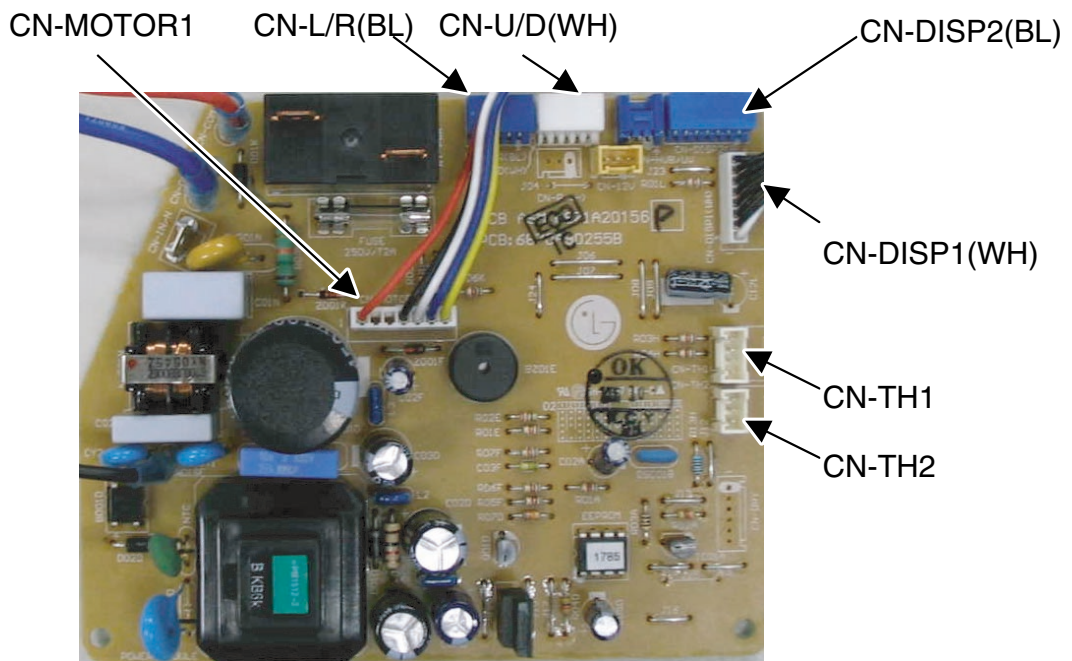
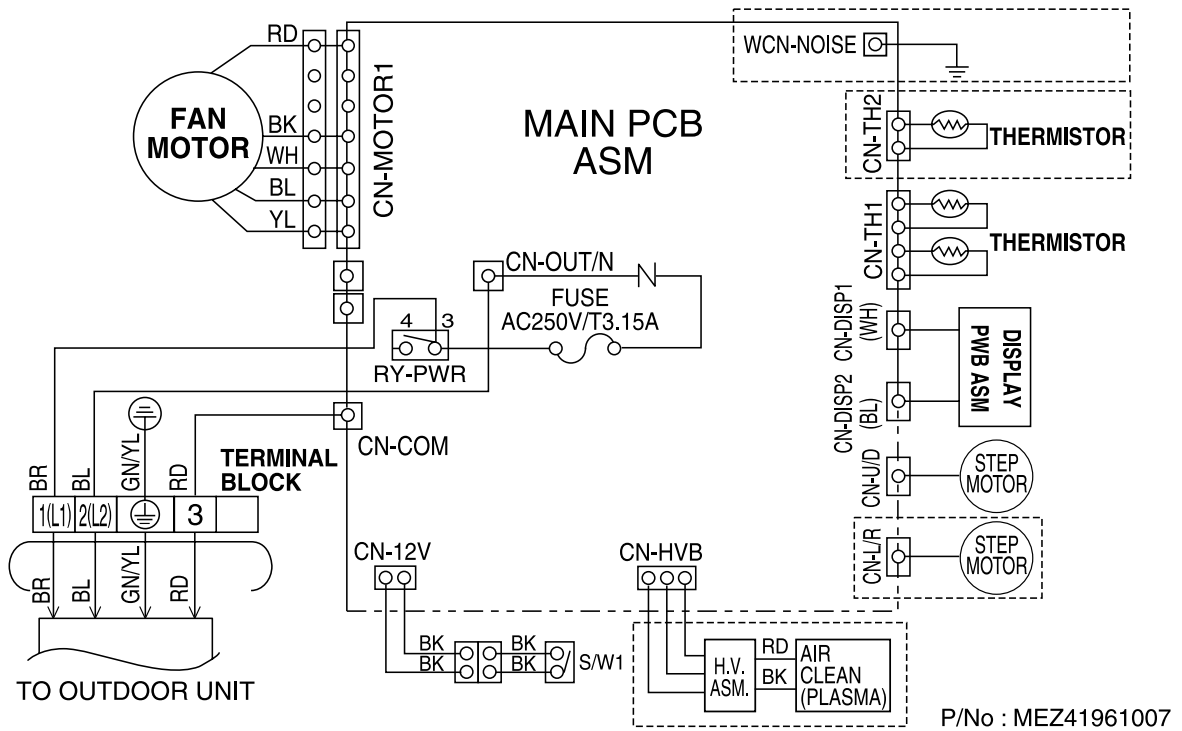


| LOC. | Description                                                 | PCB Connector    |
|------|-------------------------------------------------------------|------------------|
| Th1  | Thermister for indoor air temperature                       | CN-TH1(Indoor)   |
| Th2  | Thermister for indoor pipe(in) temperature                  |                  |
| Th3  | Thermister for Indoor pipe(out) temperature                 | CN-TH2(Indoor)   |
| Th4  | Thermister for outdoor heat sink temperature                | CN-TH1(Outdoor)  |
| Th5  | Thermister for outdoor pipe temperature                     | CN-TH2(Outdoor)  |
| Th6  | Thermister for outdoor air temperature                      |                  |
| Th7  | Thermister for outdoor discharge pipe temperature(Inverter) | CN-TH3(Outdoor)  |
| Th8  | Thermister for outdoor suction pipe temperature (Inverter)  |                  |
| Th9  | Thermister for outdoor discharge pipe temperature(Constant) | CN-TH4 (Outdoor) |

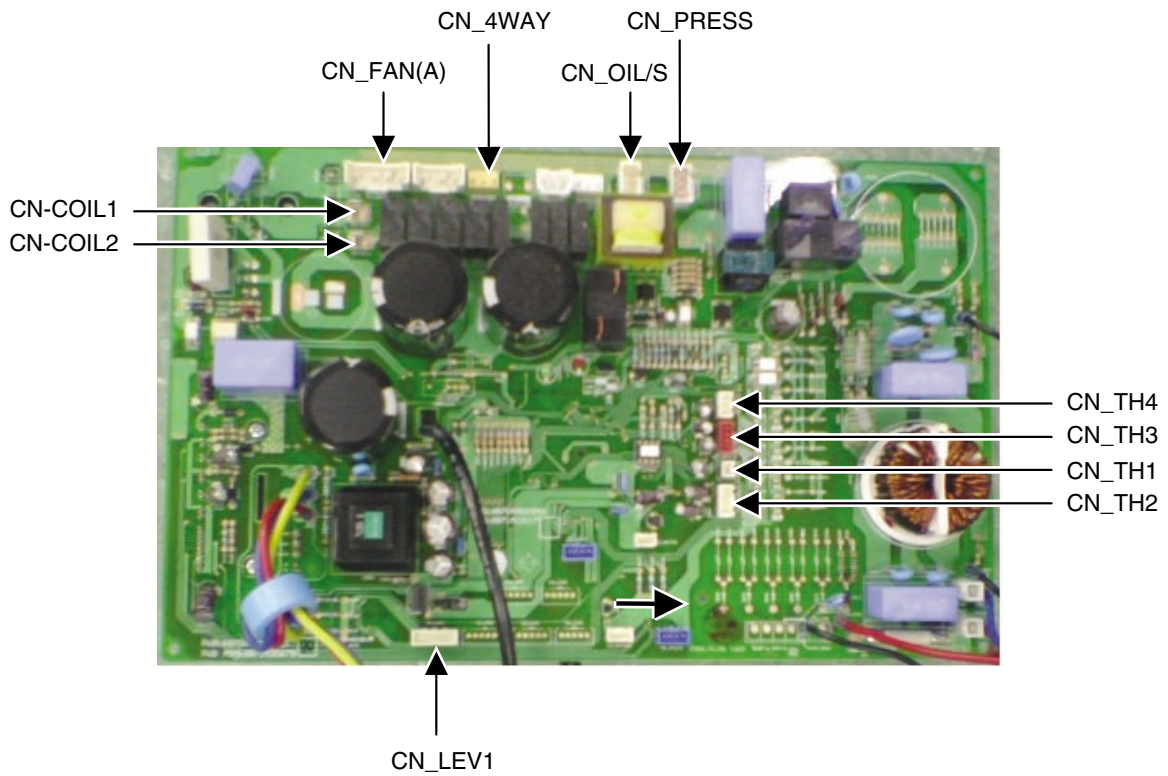
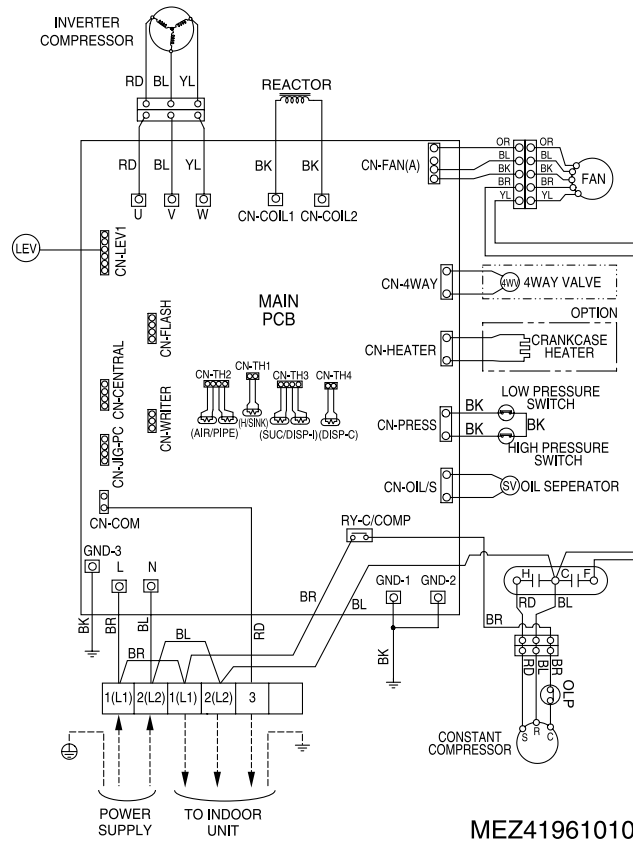
\* EEV : Electronic Expansion Valve

### 3. Wiring Diagrams

#### Indoor Unit

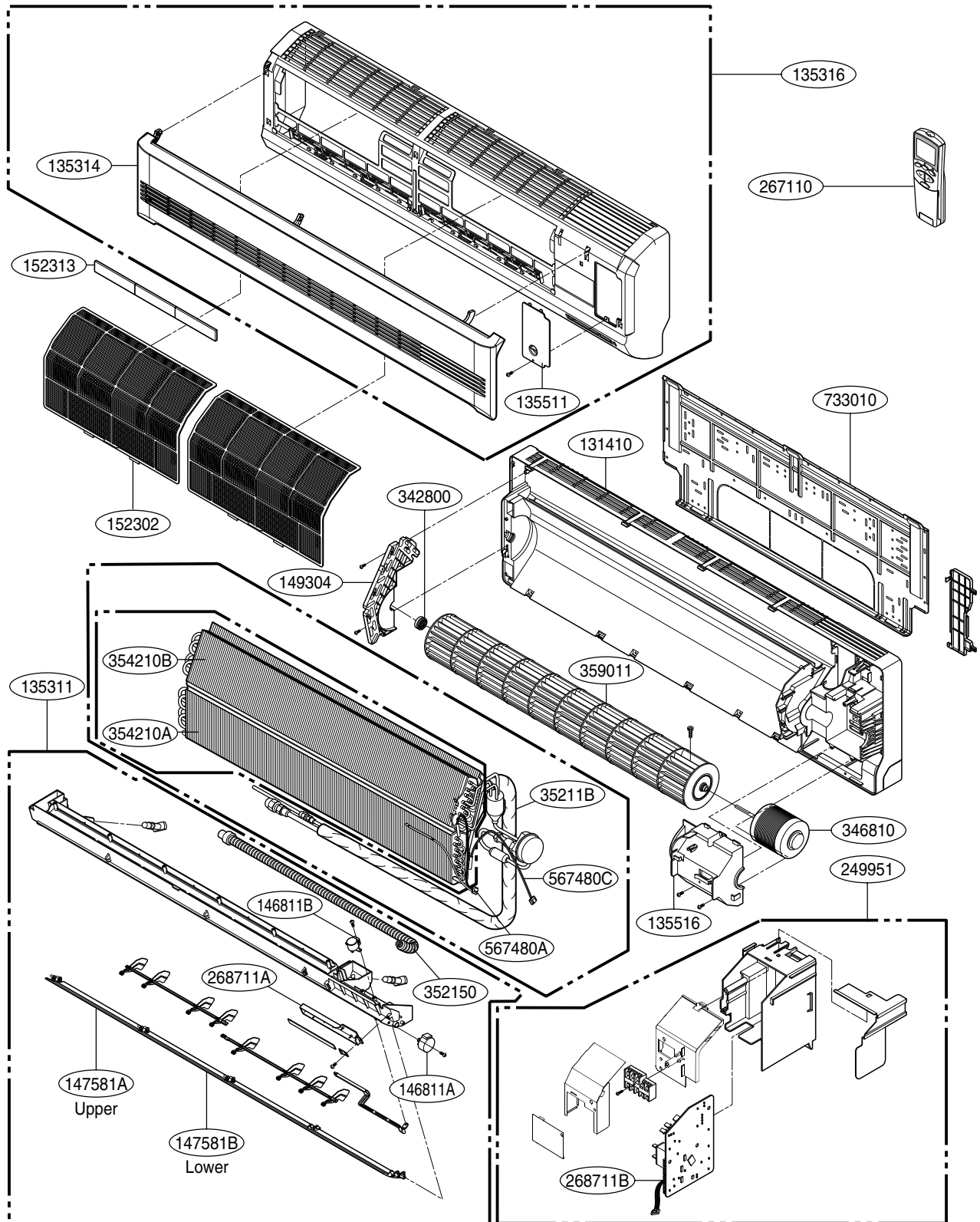


# Outdoor Unit



## 4. Exploded View

### Indoor Unit



Note) \* Please ensure GCSC since the replacement parts may be changed depending upon the buyer's request.  
Please check the correct parts in View RPL(Replacement Part List) on GCSC.  
(GCSC Website <http://biz.Lgservice.com>.)



**Specifications and performance data subject to change without notice.**

## **HEAT CONTROLLER, INC.**

1900 WELLWORTH AVENUE • JACKSON, MICHIGAN 49203

*THE QUALITY LEADER IN CONDITIONING AIR*

P/No.:MFL42286416