

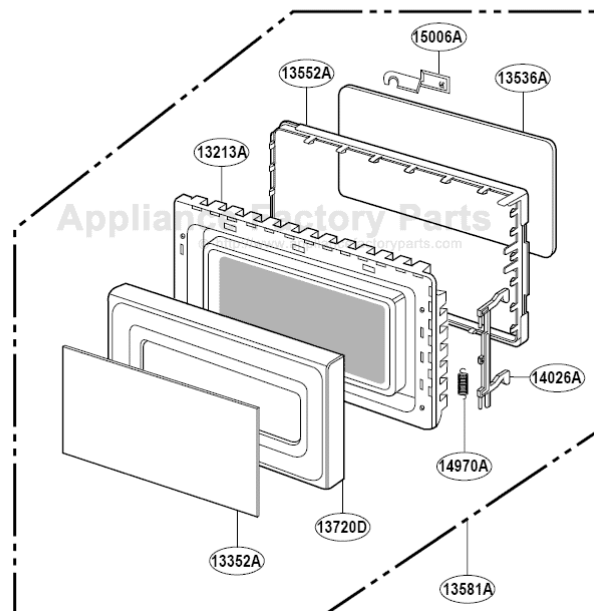
This Owner's Manual is provided and hosted by [Appliance Factory Parts](#).



# CROSLEY CMT135SGW Owner's Manual

[Shop genuine replacement parts for CROSLEY  
CMT135SGW](#)

## DOOR PARTS

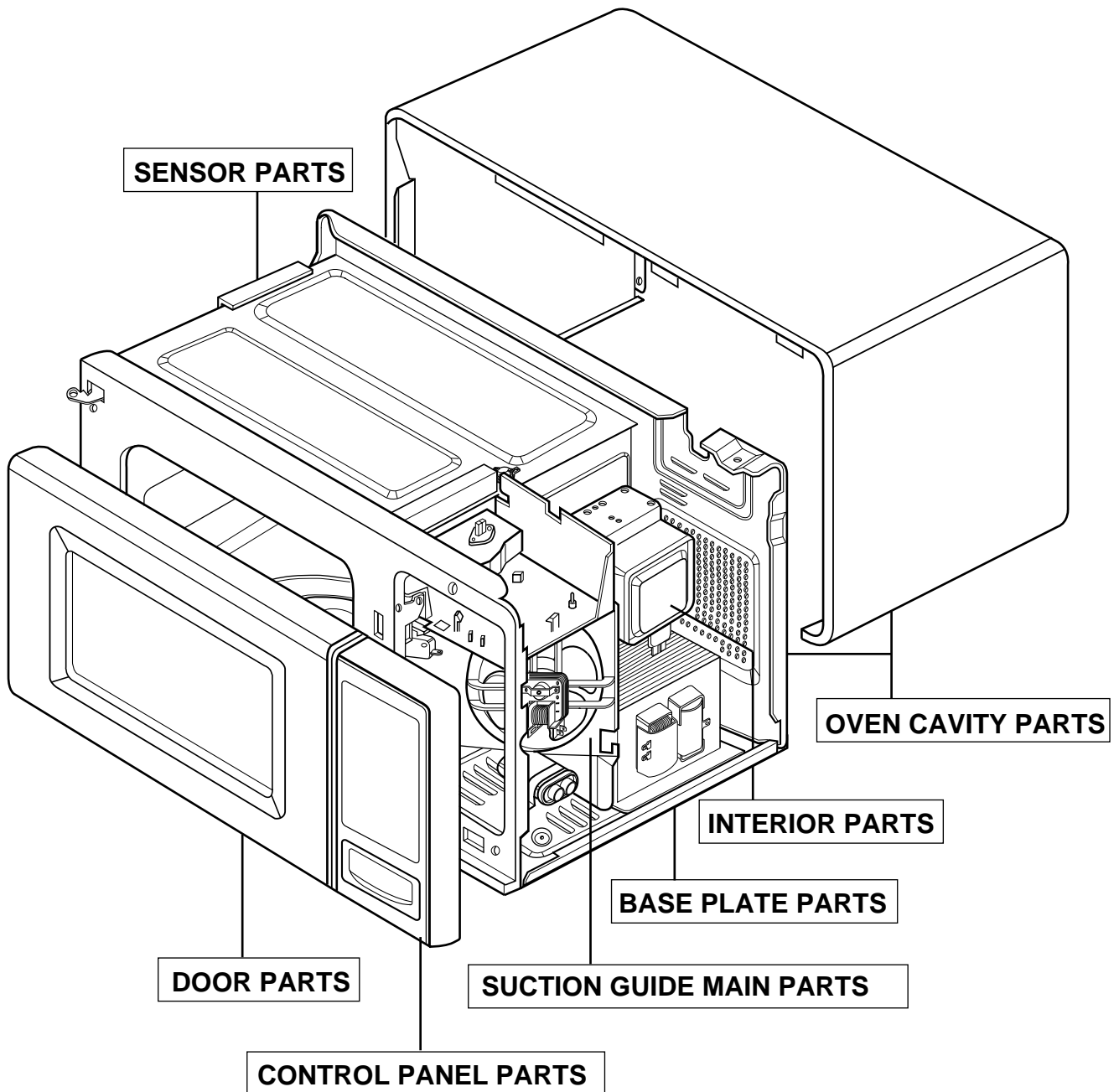


[Find Your CROSLEY Microwave Parts - Select From 1 Models](#)

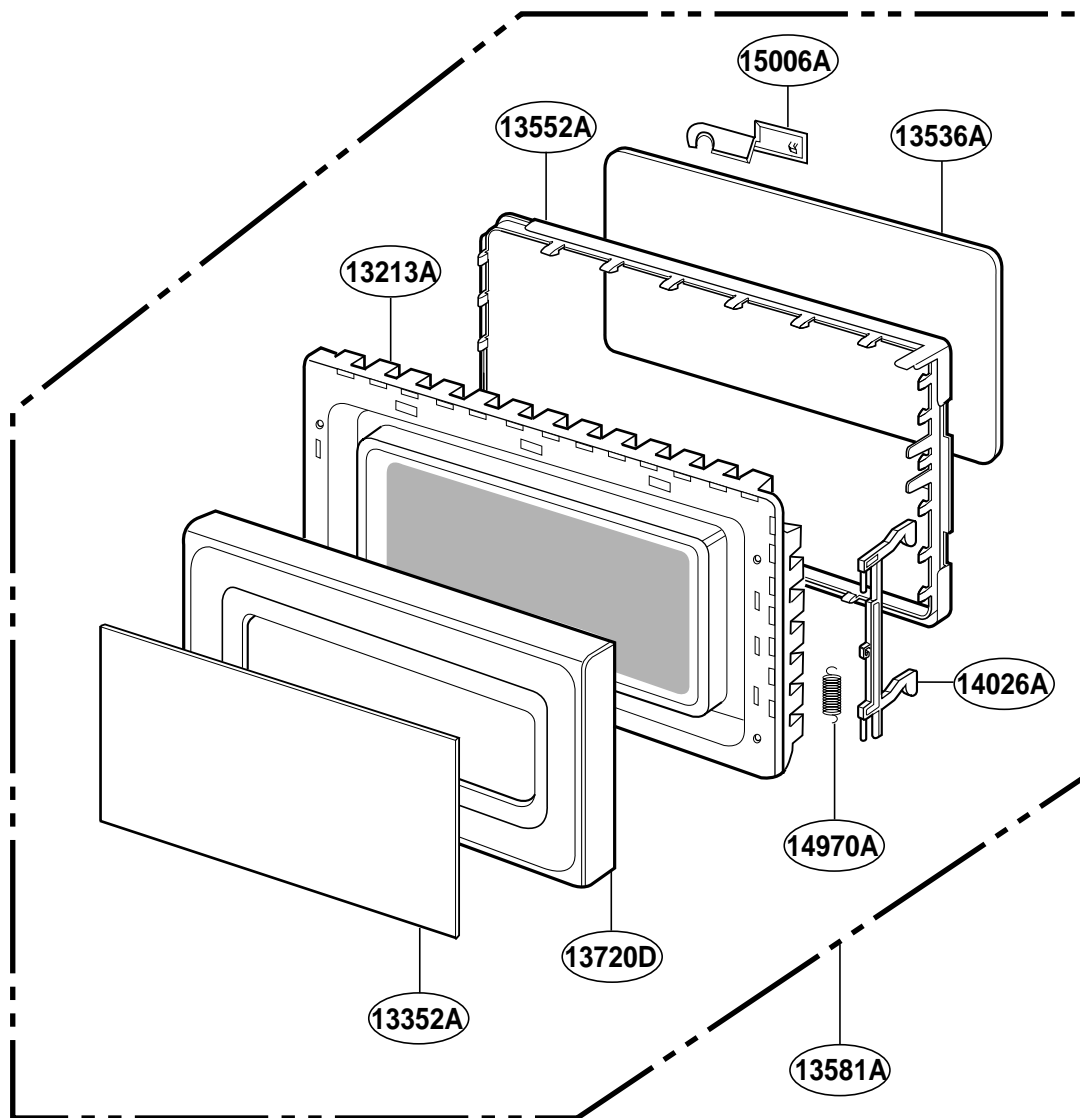
----- Manual continues below -----

# EXPLODED VIEW

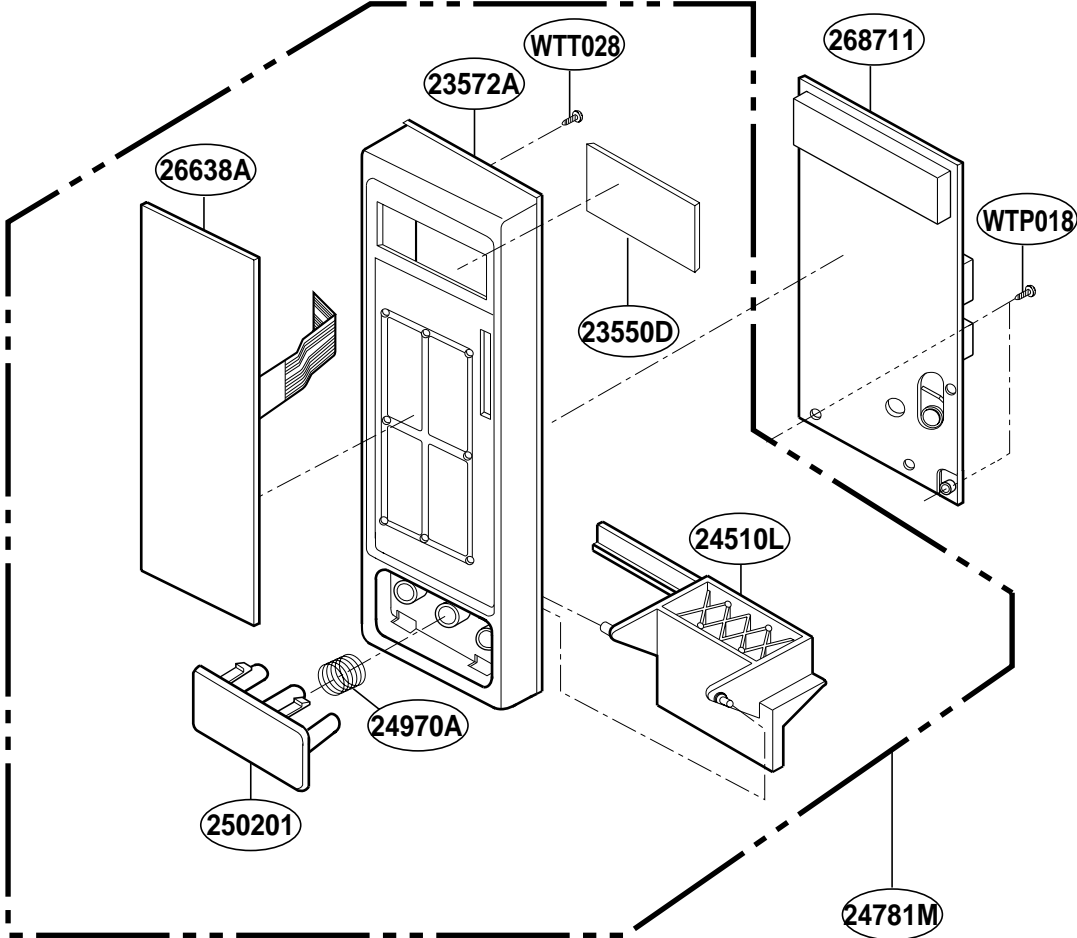
## INTRODUCTION



# DOOR PARTS



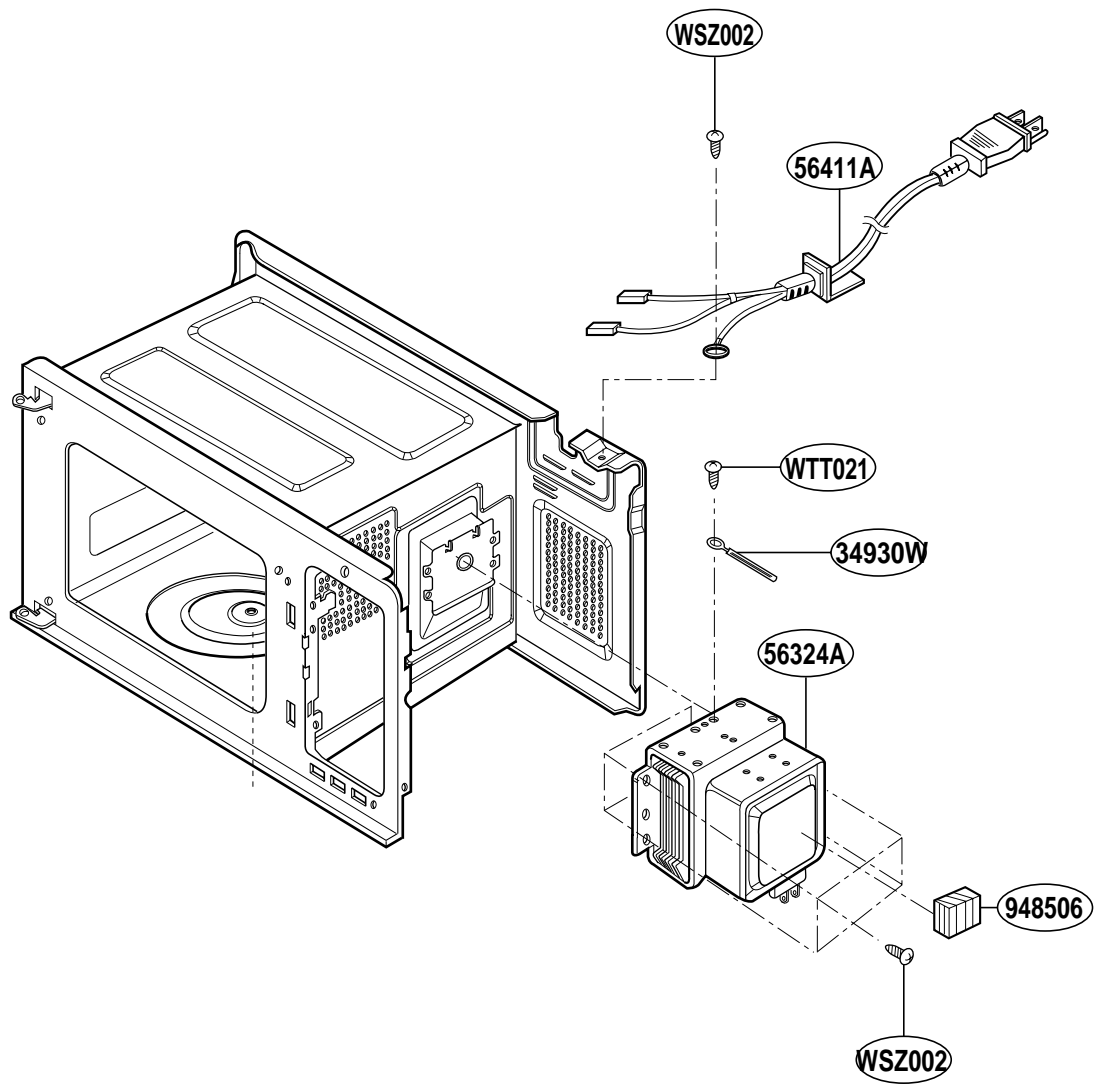
# CONTROL PANEL ASSEMBLY PARTS



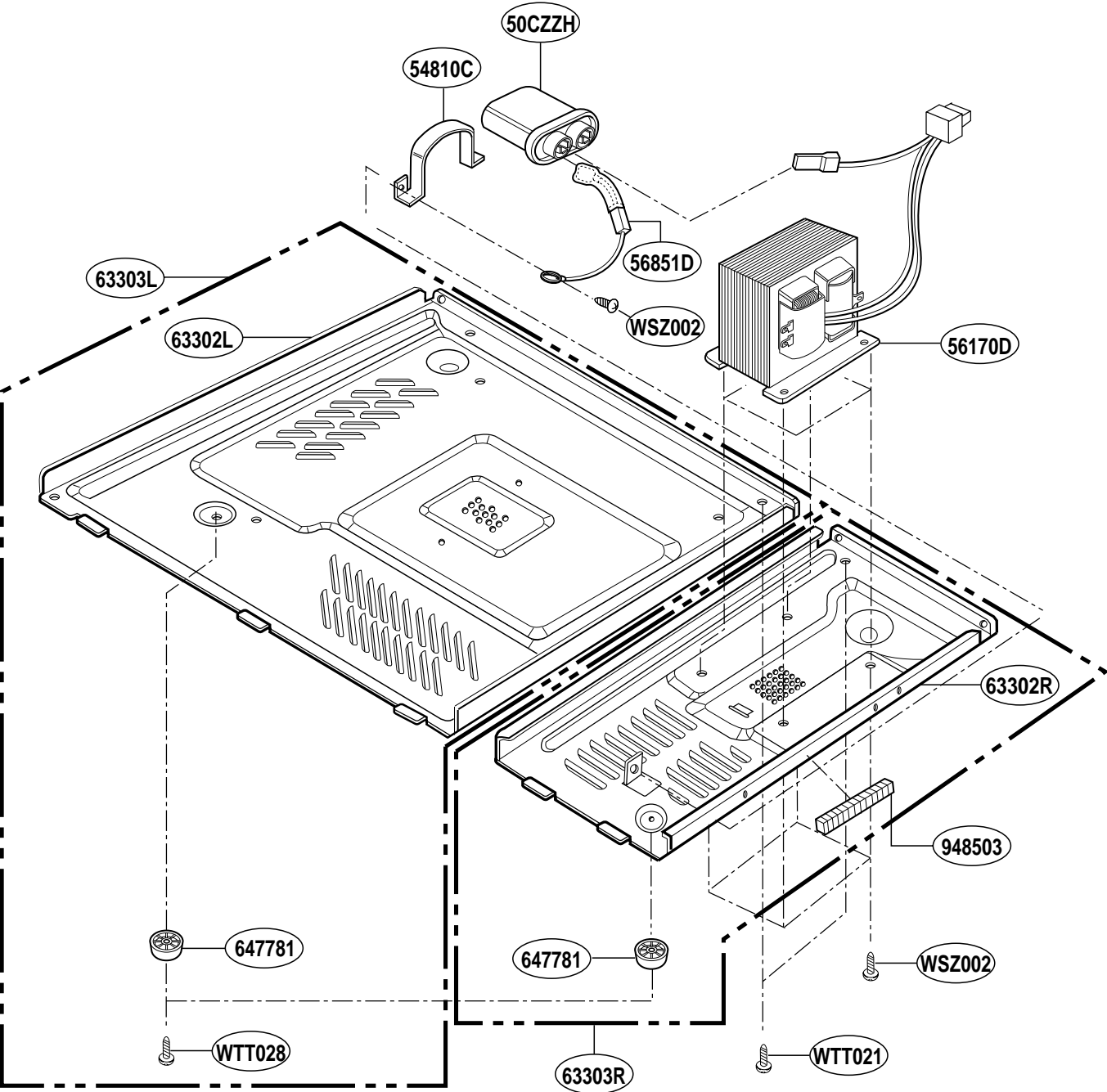




# INTERIOR PARTS



# BASE PLATE PARTS



# SENSOR PARTS

