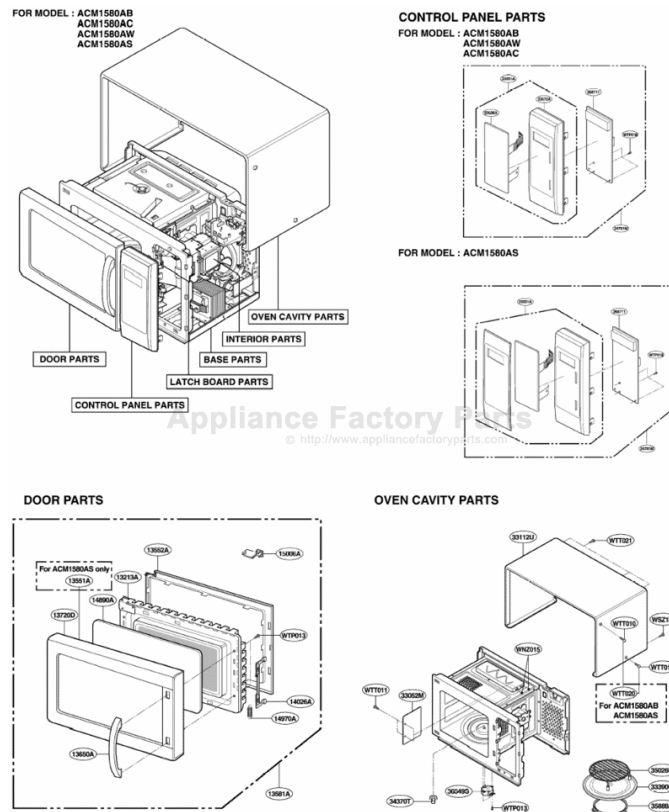


This Owner's Manual is provided and hosted by [Appliance Factory Parts](http://www.appliancefactoryparts.com).



AMANA ACM1580AC Owner's Manual

[Shop genuine replacement parts for AMANA
ACM1580AC](#)



[Find Your AMANA Microwave Parts - Select From 149 Models](#)

----- Manual continues below -----

EXPLODED VIEW

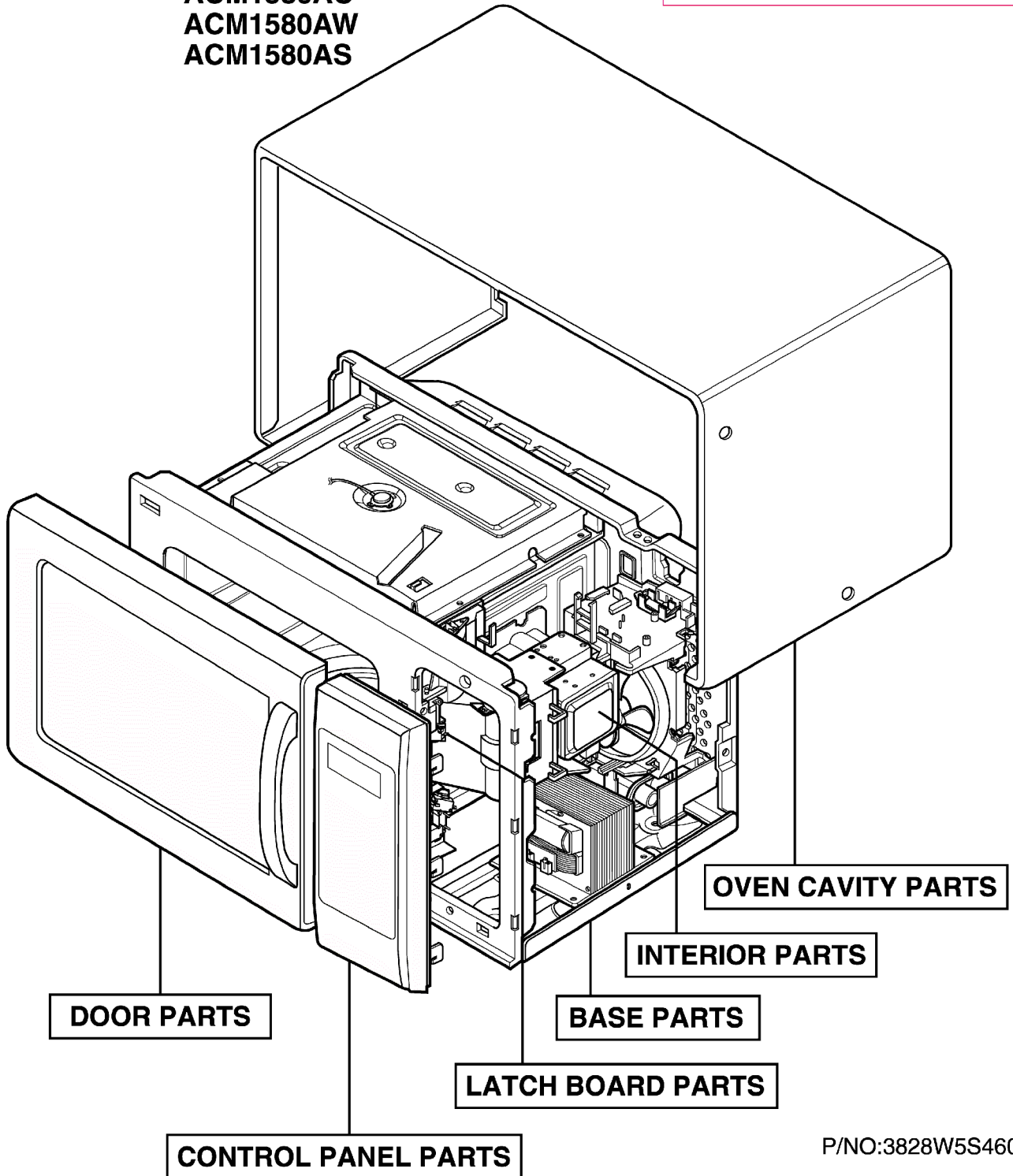
INTRODUCTION

FOR MODEL : ACM1580AB
ACM1580AC
ACM1580AW
ACM1580AS

Serial Number Identification

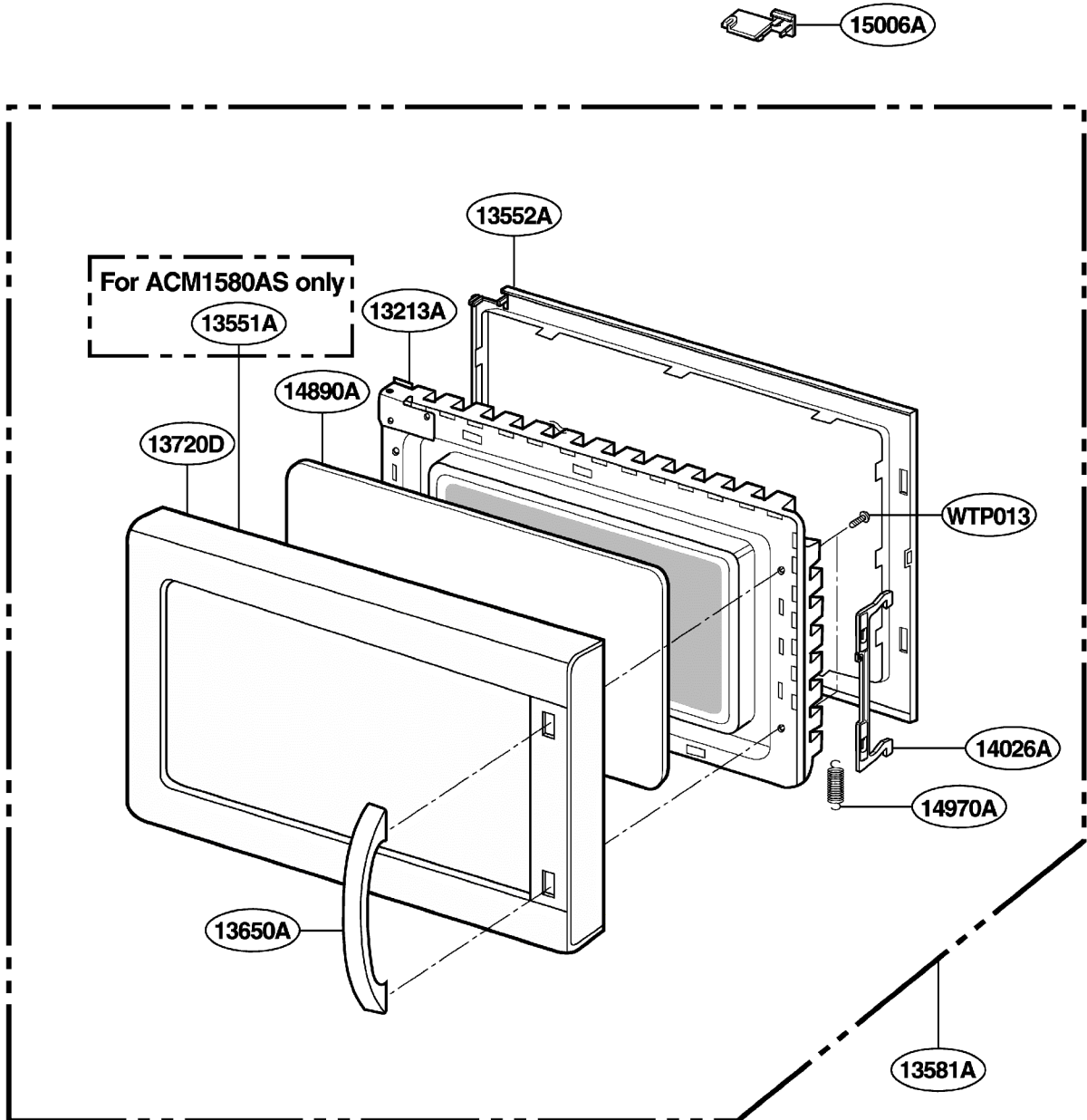
(Figure Check First & Second)

ex) 1 0 □□□□□□□□



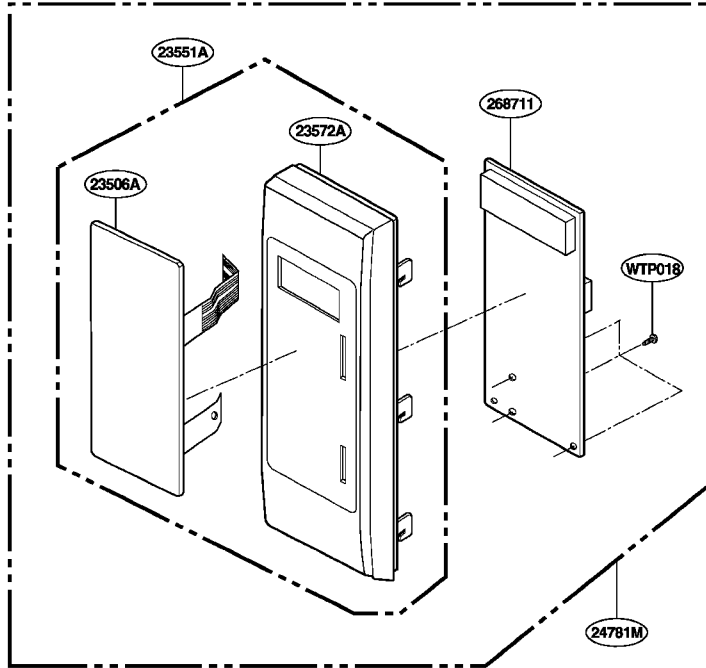
P/NO:3828W5S4603

DOOR PARTS

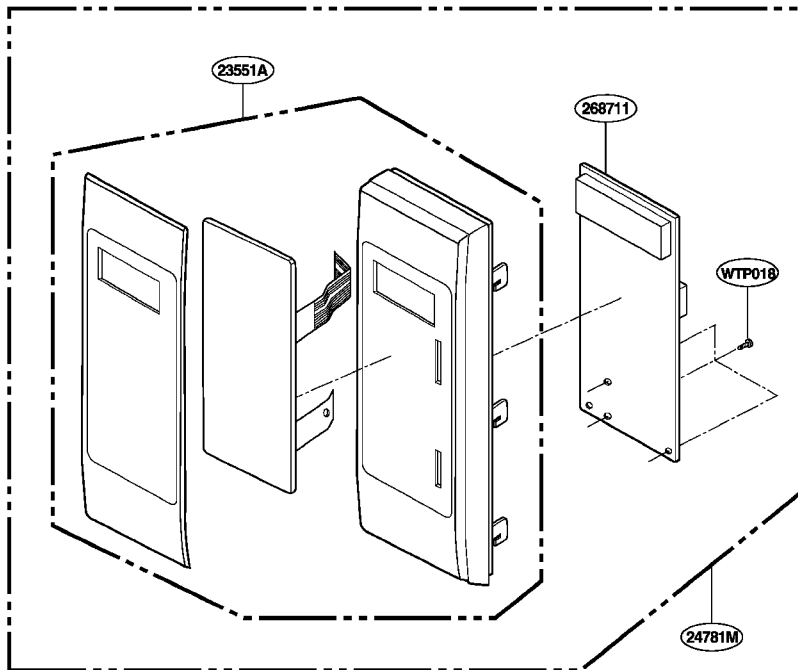


CONTROL PANEL PARTS

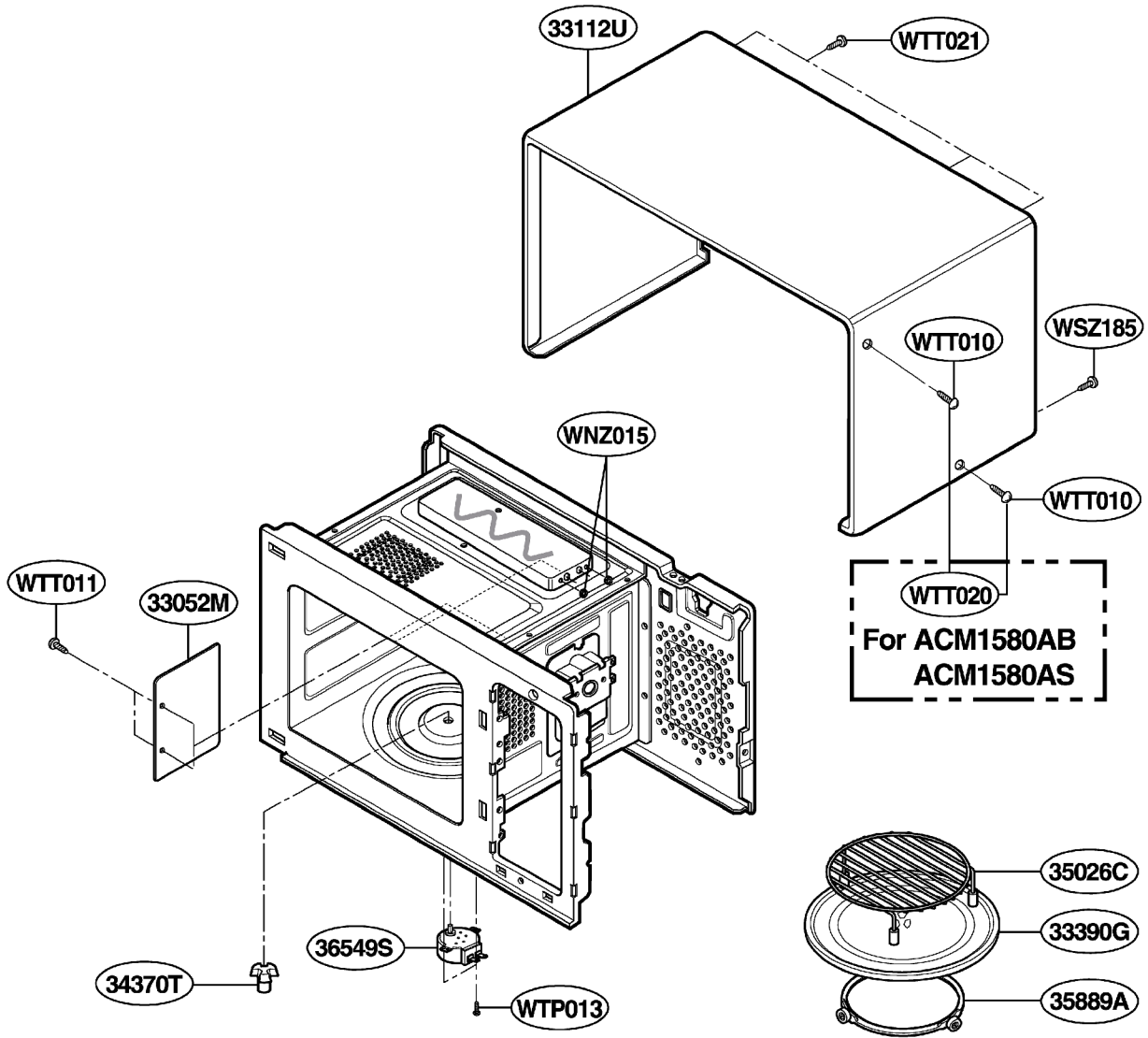
FOR MODEL : ACM1580AB
ACM1580AW
ACM1580AC



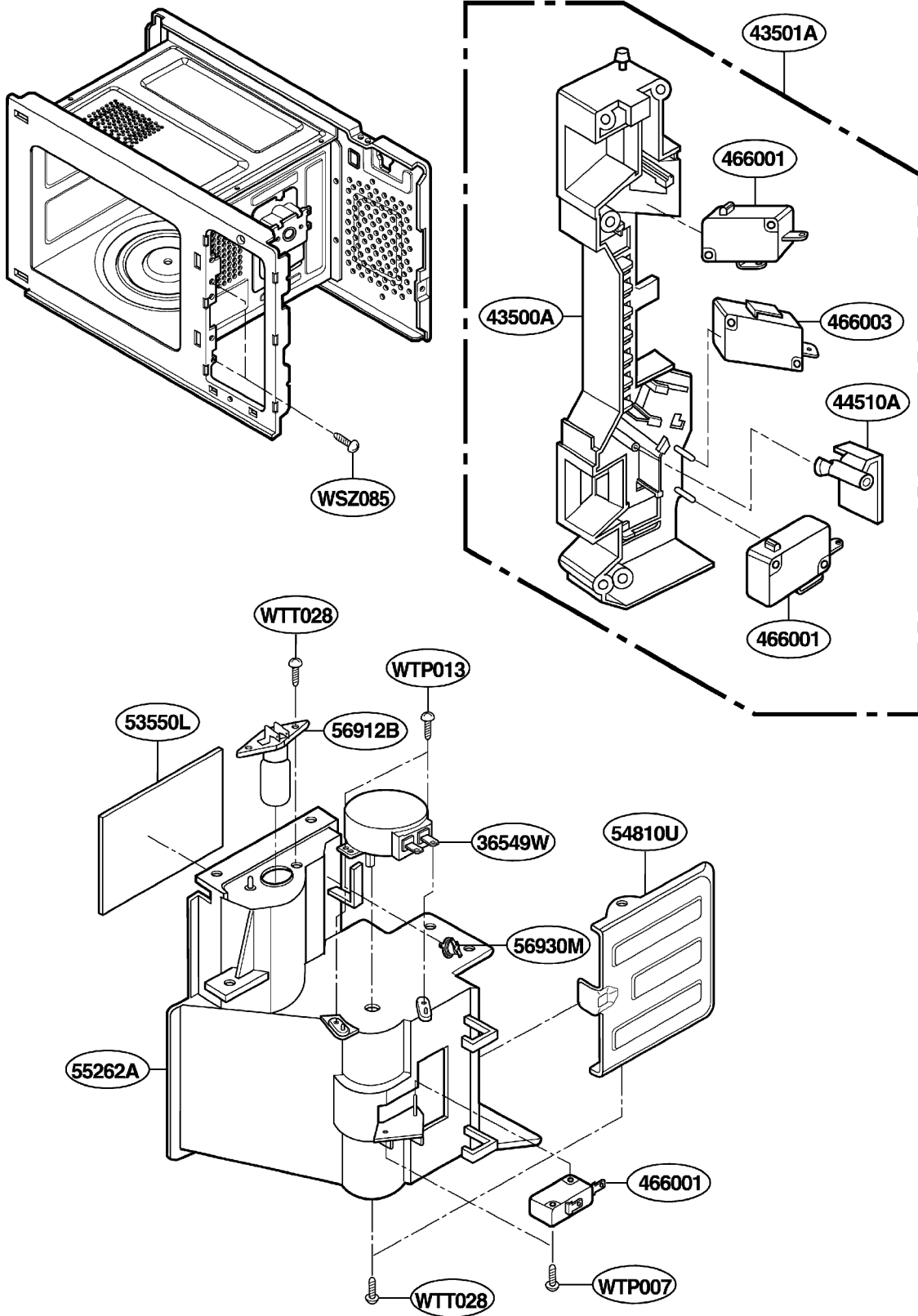
FOR MODEL : ACM1580AS



OVEN CAVITY PARTS

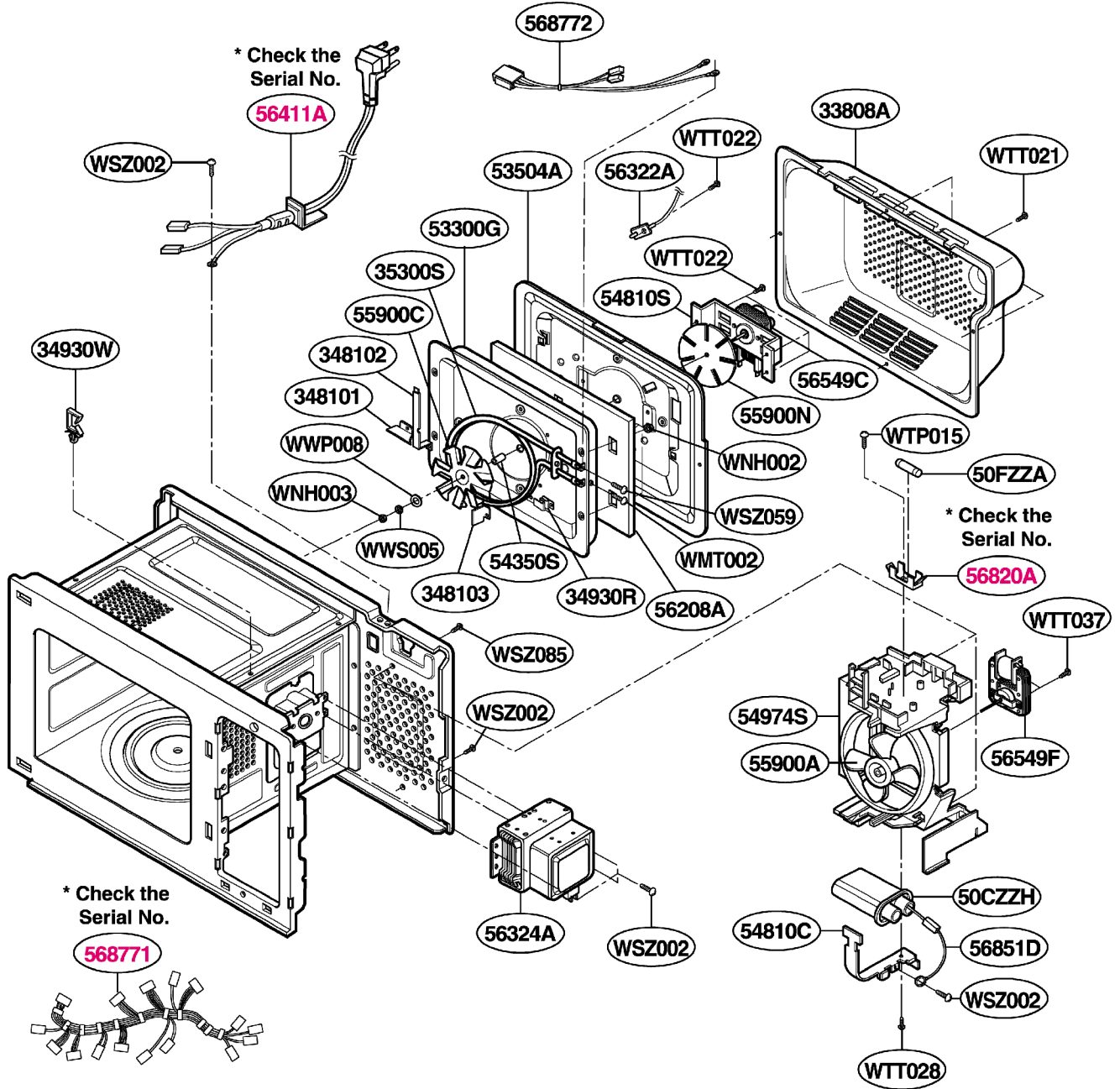


LATCH BOARD PARTS



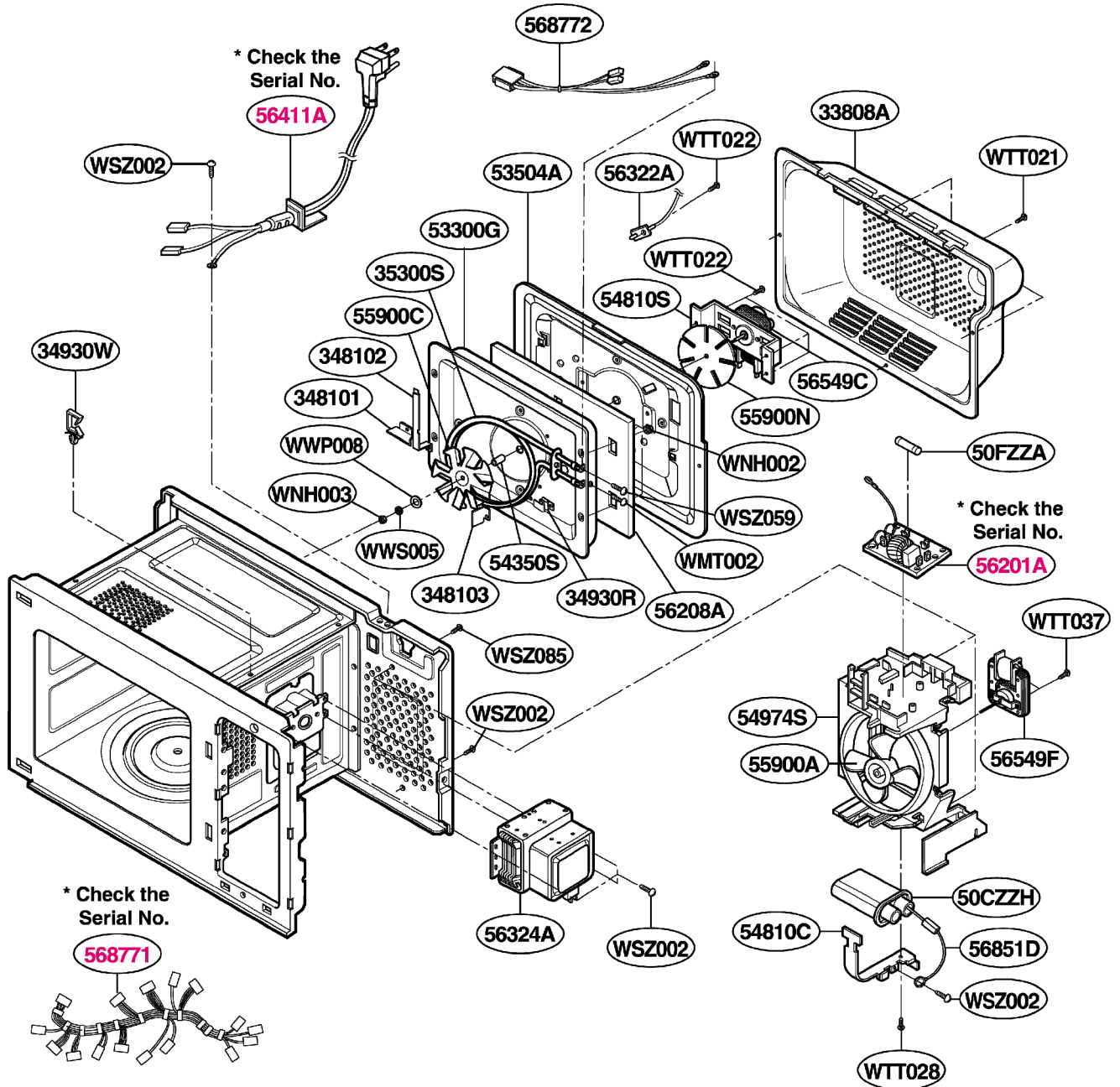
INTERIOR PARTS (I)

Serial No.	Check the rating label of Model and order SVC parts according to the Serial No.
10 <input type="text"/> <input type="text"/> <input type="text"/> <input type="text"/> <input type="text"/> <input type="text"/> <input type="text"/>	
11 <input type="text"/> <input type="text"/> <input type="text"/> <input type="text"/> <input type="text"/> <input type="text"/> <input type="text"/>	

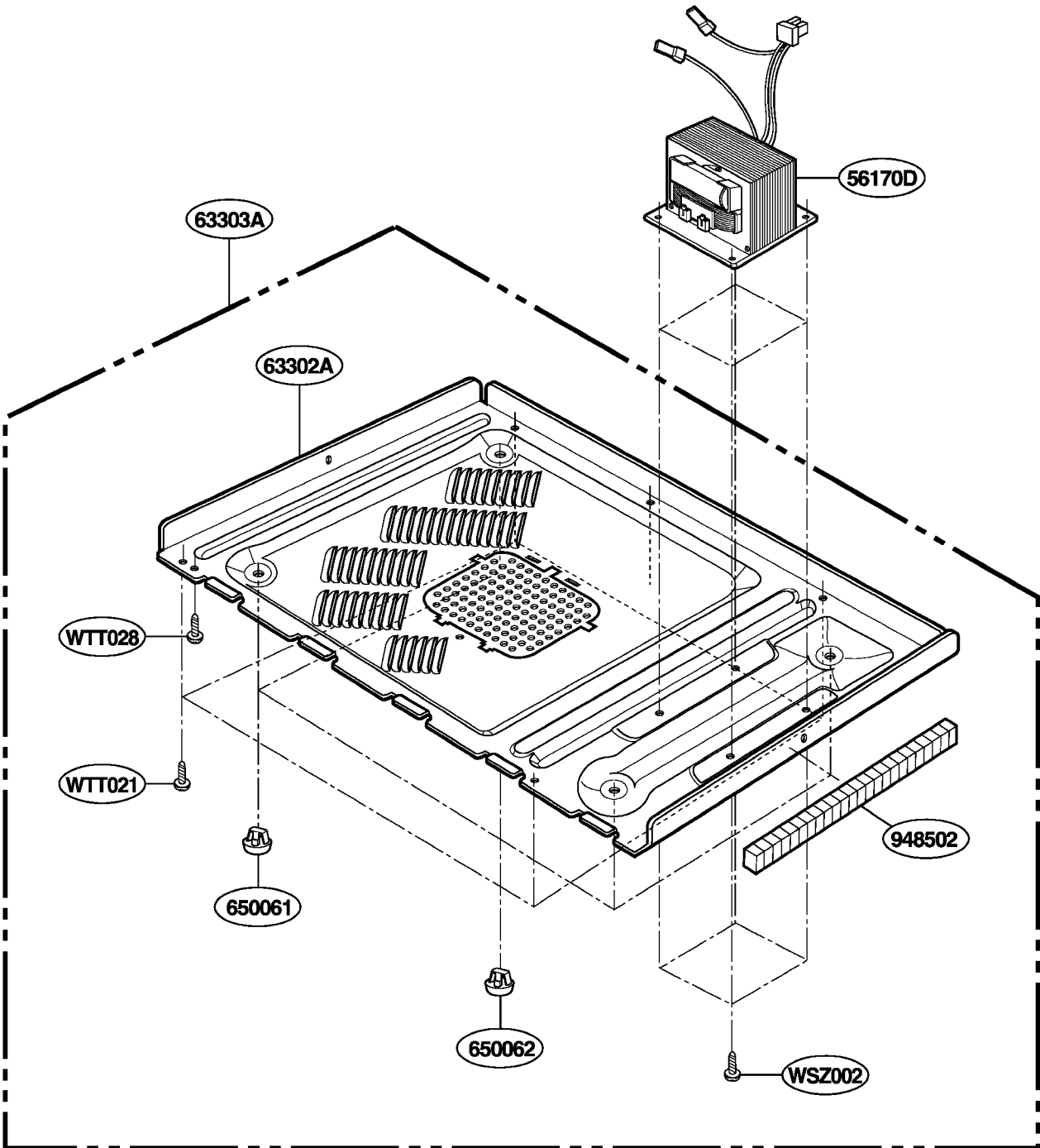


INTERIOR PARTS (II)

Serial No.	Check the rating label of Model and order SVC parts according to the Serial No.
12 □ □ □ □ □ □ □ □	



BASE PLATE PARTS



SENSOR PARTS

