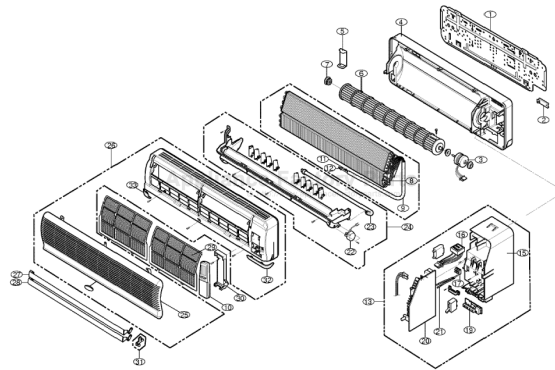


This Owner's Manual is provided and hosted by [Appliance Factory Parts](#).



LG AGAC12BWF01 Owner's Manual

[Shop genuine replacement parts for LG
AGAC12BWF01](#)

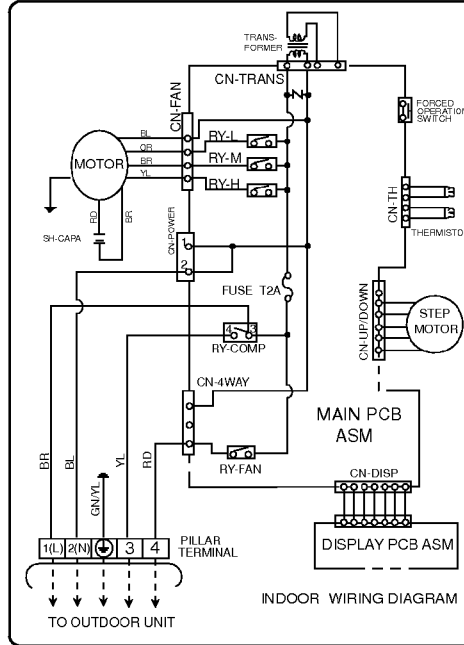


[Find Your LG Air Conditioner Parts - Select From 2328 Models](#)

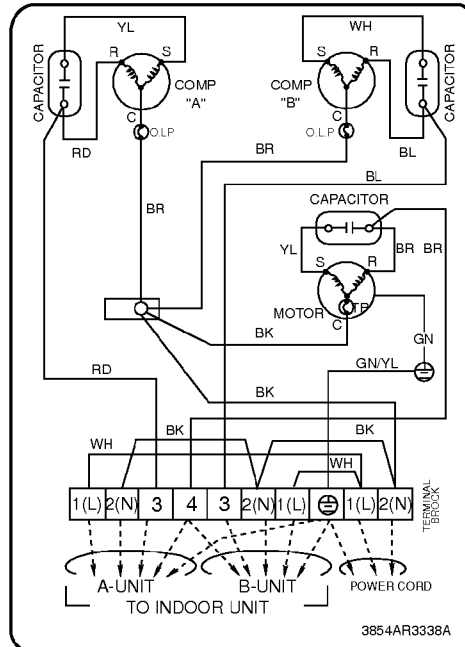
----- Manual continues below -----

Wiring Diagram(Cooling Only)

1-1. Indoor Unit

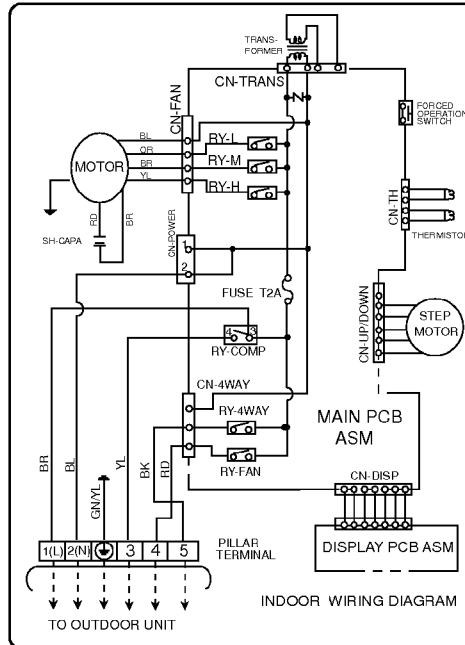


1-2. Outdoor Unit



Wiring Diagram (Cooling & Heating)

2-1. Indoor Unit



2-2. Outdoor Unit

