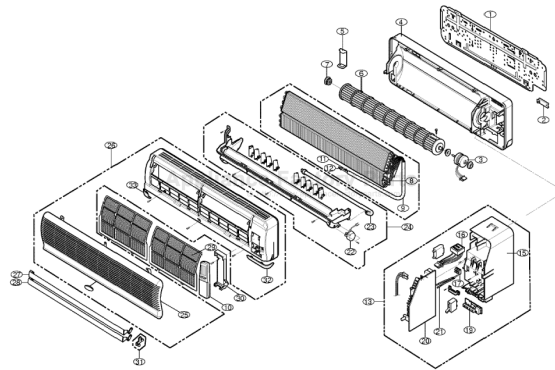


This Owner's Manual is provided and hosted by [Appliance Factory Parts](#).



LG AGAC09BWF01 Owner's Manual

[Shop genuine replacement parts for LG
AGAC09BWF01](#)



[Find Your LG Air Conditioner Parts - Select From 2328 Models](#)

----- Manual continues below -----

Product Specifications(Cooling Only)

1-1. INDOOR: AG4AC12BWF01 / AG4AC09BWF01

1-2. OUTDOOR : AG5AC21BWOG1

Item	Model Name		A-Unit + B-Unit	A-Unit Only	B-Unit Only
	Unit				
Cooling Capacity	Btu/h(kcal/h)		20,000(5,040)	11,400(2,873)	8,600(2,167)
Moisture Removal	ℓ/h		2.37	1.17	1.2
Power Source	ø, V, Hz		1Ø, 220-240V, 50Hz		
Air	m ³ /min	Indoor		9.4	8.3
		Outdoor	41		
Noise Level	dB(A)	Indoor		40; 3	38; 3
		Outdoor	56; 3		
Input	W		2,150	1,250	1,010
Runnig Current	A		9.1	5.3	4.3
E.E.R.	Btu/h-w		9.3	9.1	8.5
Motor Output	W	Indoor		15	13
		Outdoor	48		
Dimensions(W x H x D)	mm	Indoor	900 x 290 x 183		
		Outdoor	870 x 655 x 320		
Net. Weight	kg	Indoor	10		
		Outdoor	57		
Refrigerant(R-22)	g			1,250	860
Airflow Direction Control(Up & Down)			○		
Remocon Type			L.C.D Wireless		
Service Valve	Liquid	1/4"(6.35)			
	Gas		1/2"(12.7)	3/8"(9.52)	
Sleeping Operation			○		
Drain Hose			○		

* A-unit(Indoor): AG4AC12BWF01

B-unit(Indoor): AG4AC09BWF01

Product Specifications(Cooling & Heating)

2-1. INDOOR: AG4AH12BWF01 / AG4AH09BWF01

2-2. OUTDOOR : AG5AH21BWF0G1

Item		Model Name Unit	A-Unit + B-Unit	A-Unit Only	B-Unit Only
Cooling Capacity		Btu/h(kcal/h)	20,000(5,040)	11,400(2,873)	8,600(2,167)
Heating Capacity			20,000(5,040)	11,400(2,873)	8,600(2,167)
Moisture Removal		ℓ/h		1.17	1.2
Power Source		∅, V, Hz	1∅, 220-240V, 50Hz		
Air Circulation		m ³ /min	Indoor	9.4	8.3
			Outdoor	41	
Noise Level		dB(A)	Indoor	40 ; 3	38 ; 3
			Outdoor	57 ; 3	
Input	Cooling	W	2,150	1,250	1,010
	Heating		2,150	1,250	1,010
Running Current	Cooling	A	9.3	5.3	4.3
	Heating		9.3	5.3	4.3
E.E.R.	Cooling	Btu/h-w	9.3	9.3	8.5
C.O.P.	Heating	-	2.73	2.67	2.50
Motor Output		W	Indoor	15	13
			Outdoor	48	
Dimensions(W x H x D)		mm	Indoor	900 x 290 x 183	
			Outdoor	870 x 655 x 320	
Net. Weight		kg	Indoor	10	
			Outdoor	58	
Refrigerant(R-22)		g		1,250	860
Airflow Direction Control(Up & Down)			○		
Remocon Type			L.C.D Wireless		
Service Valve			Liquid	1/4"(6.35)	
			Gas	1/2"(12.7)	3/8"(9.52)
Sleeping Operation			○		
Drain Hose			○		

* A-unit(Indoor): AG4AC12BWF01

B-unit(Indoor): AG4AC09BWF01