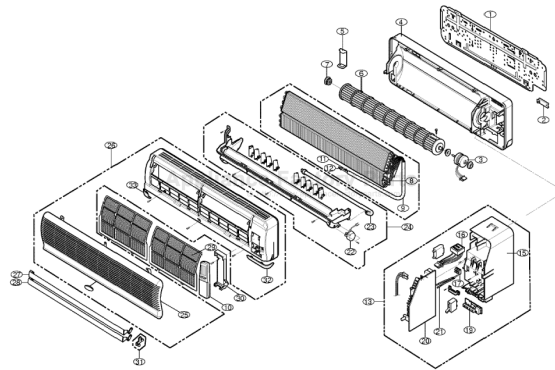


This Owner's Manual is provided and hosted by [Appliance Factory Parts](#).



# LG AGAC09BWF01 Owner's Manual

[Shop genuine replacement parts for LG  
AGAC09BWF01](#)

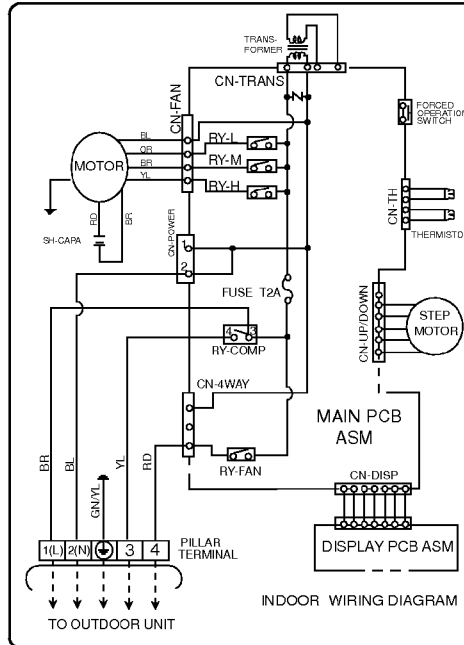


[Find Your LG Air Conditioner Parts - Select From 2328 Models](#)

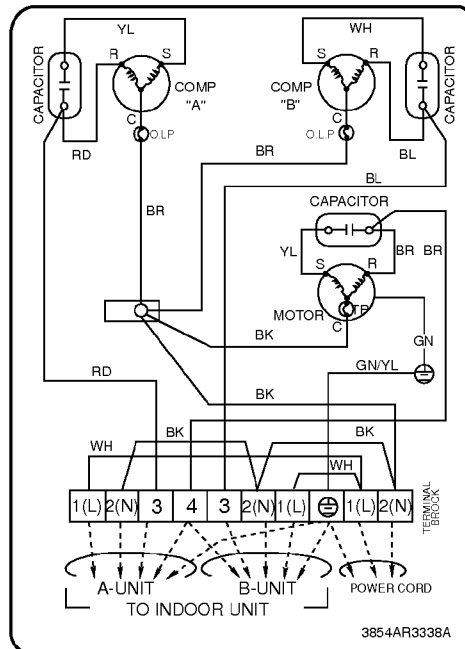
----- Manual continues below -----

# Wiring Diagram(Cooling Only)

## 1-1. Indoor Unit

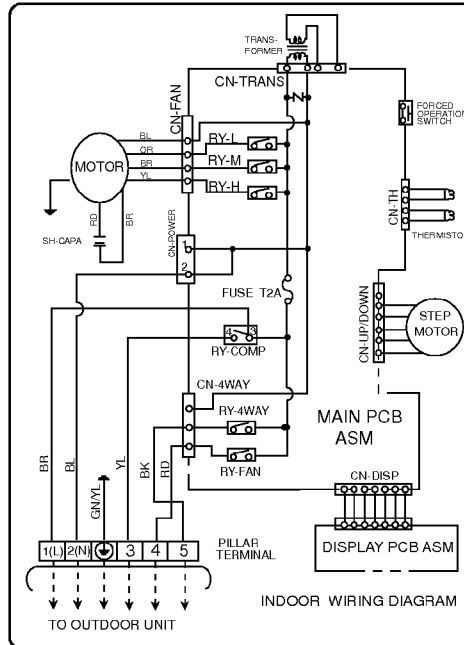


## 1-2. Outdoor Unit



# Wiring Diagram ( Cooling & Heating)

## 2-1. Indoor Unit



## 2-2. Outdoor Unit

