

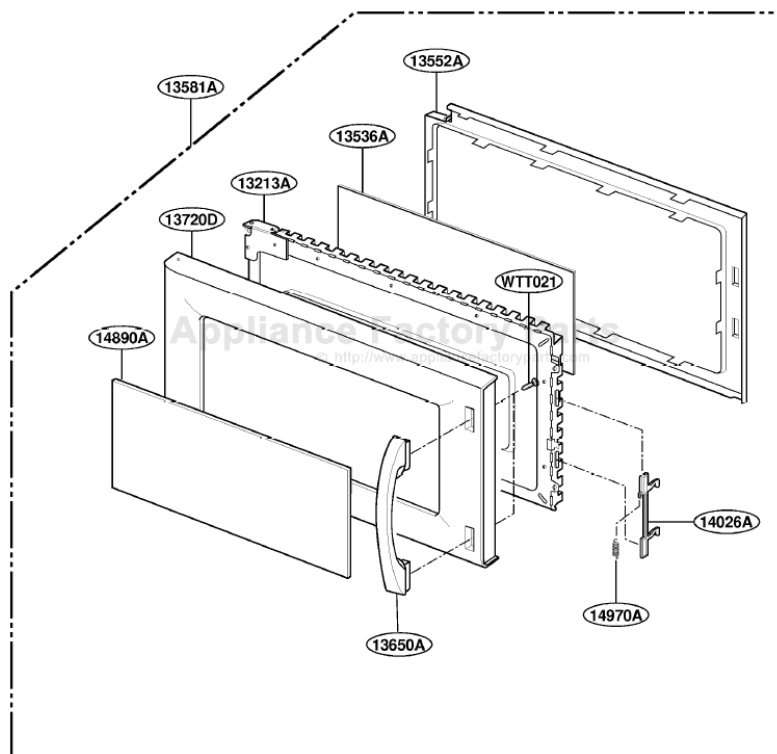
This Owner's Manual is provided and hosted by [Appliance Factory Parts](#).



LG EXV1511W Owner's Manual

[Shop genuine replacement parts for LG EXV1511W](#)

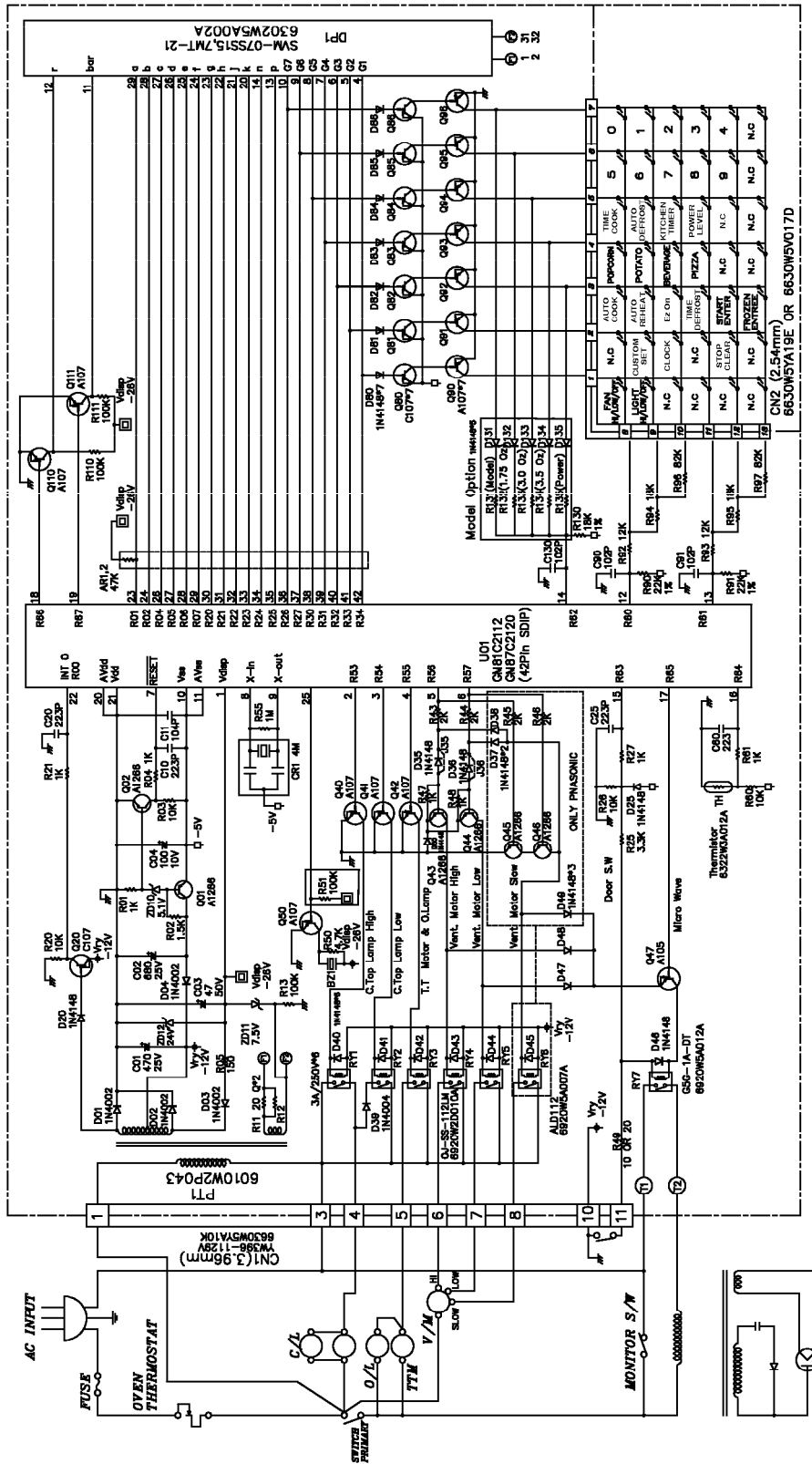
DOOR PARTS



[Find Your LG Microwave Parts - Select From 955 Models](#)

----- Manual continues below -----

SCHEMATIC DIAGRAM



PRINTED CIRCUIT BOARD

