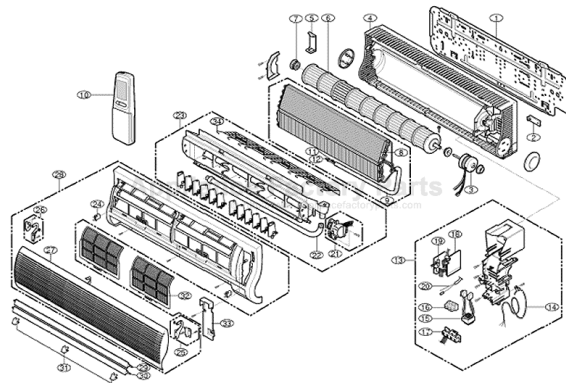


This Owner's Manual is provided and hosted by [Appliance Factory Parts](#).



LG LM-1860CL Owner's Manual

[Shop genuine replacement parts for LG LM-1860CL](#)



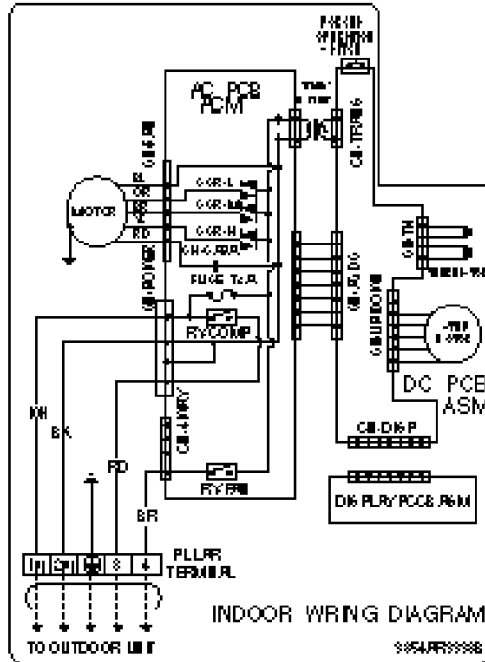
[Find Your LG Air Conditioner Parts - Select From 2328 Models](#)

----- Manual continues below -----

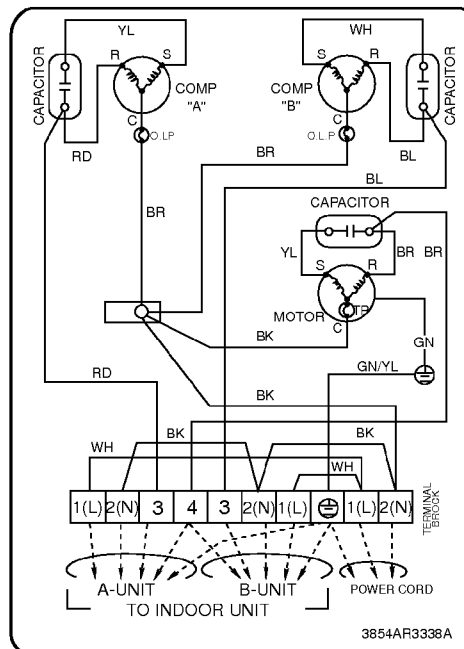
Wiring Diagram

(1) LM-1860CL

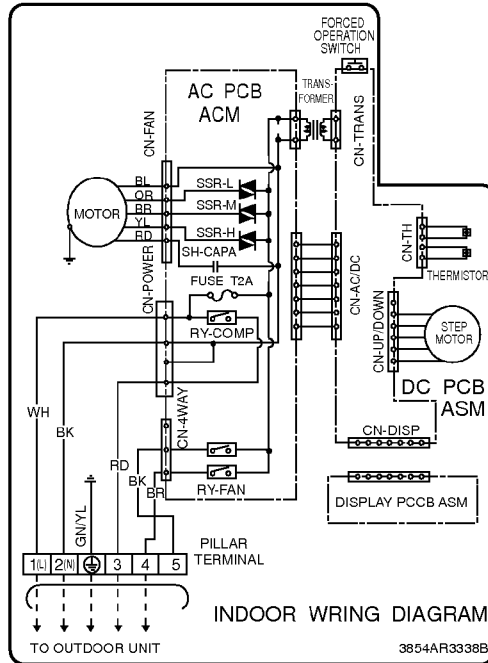
1. Indoor Unit



2. Outdoor Unit



(2) LM-1860HL
1. Indoor Unit



2. Outdoor Unit

