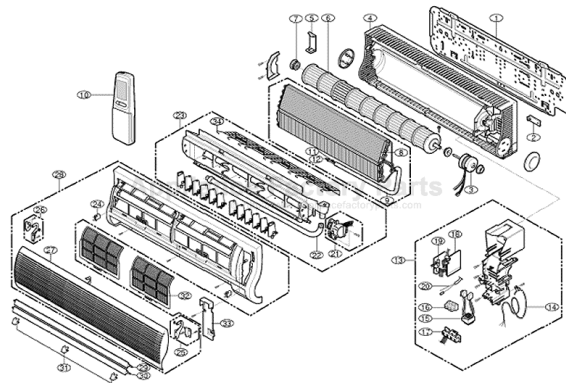


This Owner's Manual is provided and hosted by [Appliance Factory Parts](#).



# LG LM-1860HL Owner's Manual

[Shop genuine replacement parts for LG LM-1860HL](#)



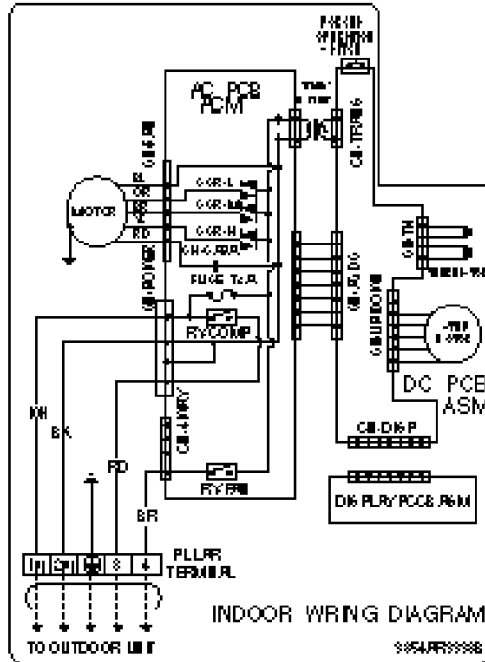
[Find Your LG Air Conditioner Parts - Select From 2328 Models](#)

----- Manual continues below -----

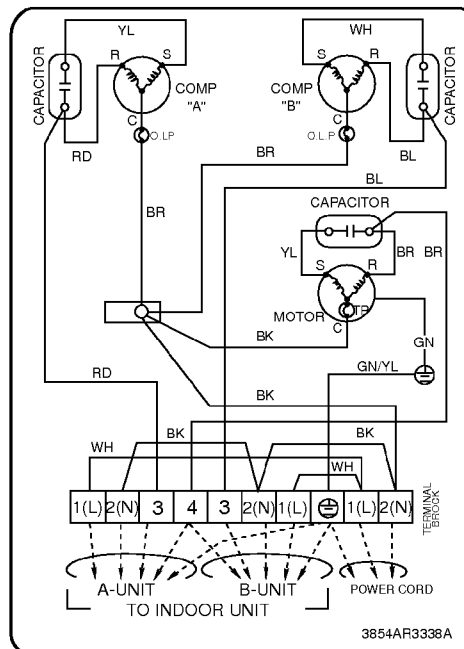
# Wiring Diagram

## (1) LM-1860CL

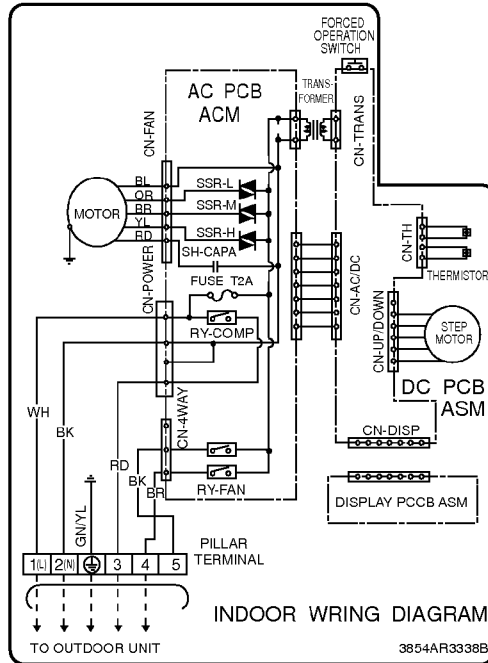
### 1. Indoor Unit



### 2. Outdoor Unit



**(2) LM-1860HL**  
**1. Indoor Unit**



**2. Outdoor Unit**

