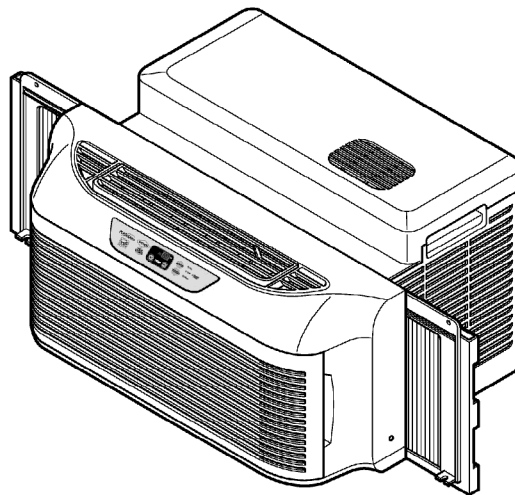


SEARS

Kenmore®
ROOM AIR CONDITIONER

**REPAIR
PARTS
LIST**

Model No.
580.75062500



The model number of your Air Conditioner can be found on the left side of the unit.

All repair parts listed are available for immediate purchase or special order when you visit your nearest Sears Service Center, or the Service Department at most Sears stores. To order parts by phone, call the toll free parts number listed to the left.

When requesting service or ordering parts, always provide the following information:

- | | |
|----------------|--------------------|
| ◆ Product Type | ◆ Part Number |
| ◆ Model Number | ◆ Part Description |

To Call
Toll Free
For Parts:

1-800-366-PART
(1-800-366-7278)

For Service:

1-800-4-MY-HOME
(1-800-469-4663)

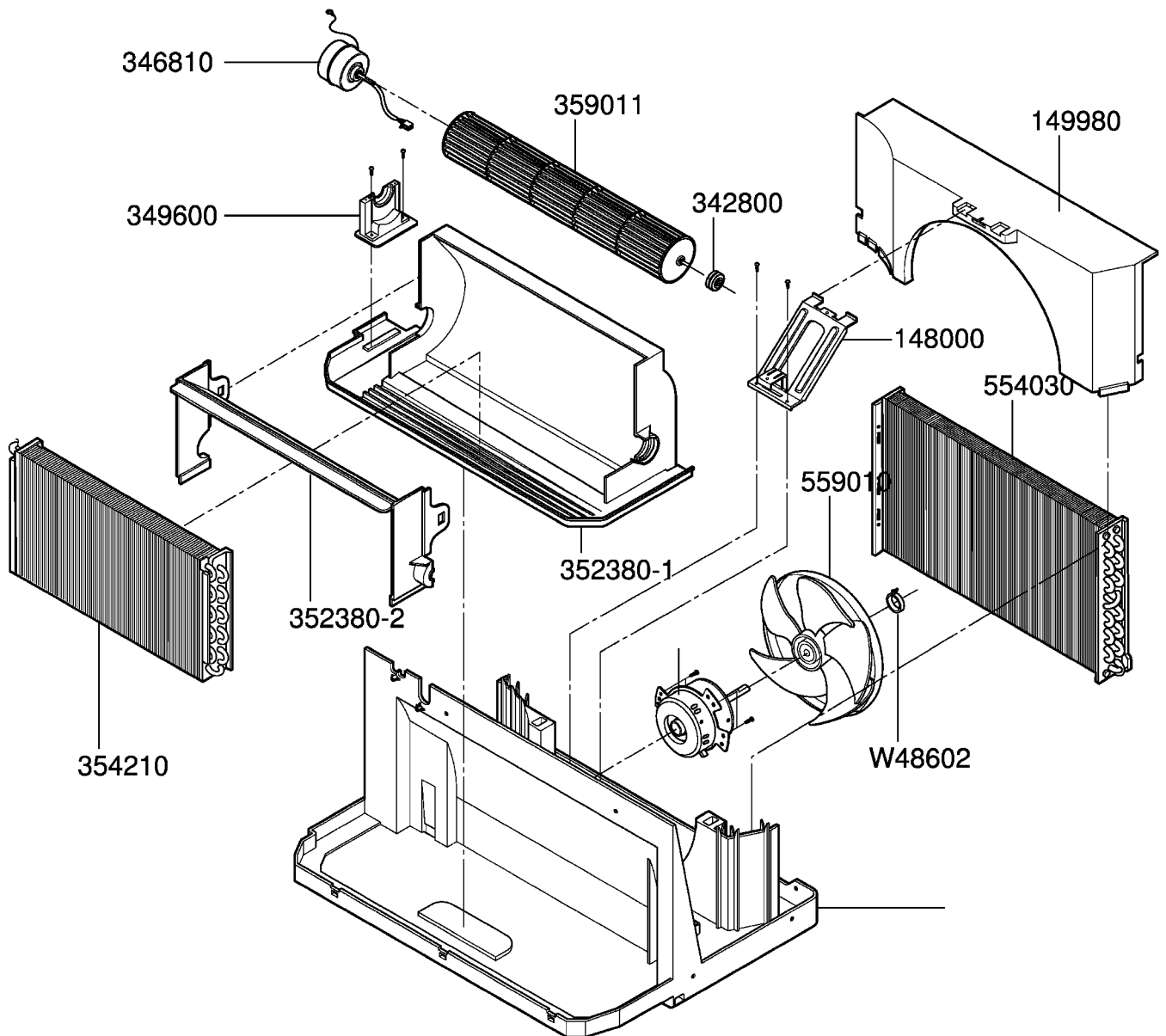
REPAIR PARTS

Room Air Conditioner
Model No. 580.75062500

To order Parts call Toll Free
1-800-4-MY-HOME®(1-800-469-4663)

CAUTION: Use the Kenmore part number on all orders, **not** the illustration number.

AIR HANDLING & CYCLE PARTS



CAUTION: Use the Kenmore part number on all orders, **not** the illustration number.

AIR HANDLING & CYCLE PARTS

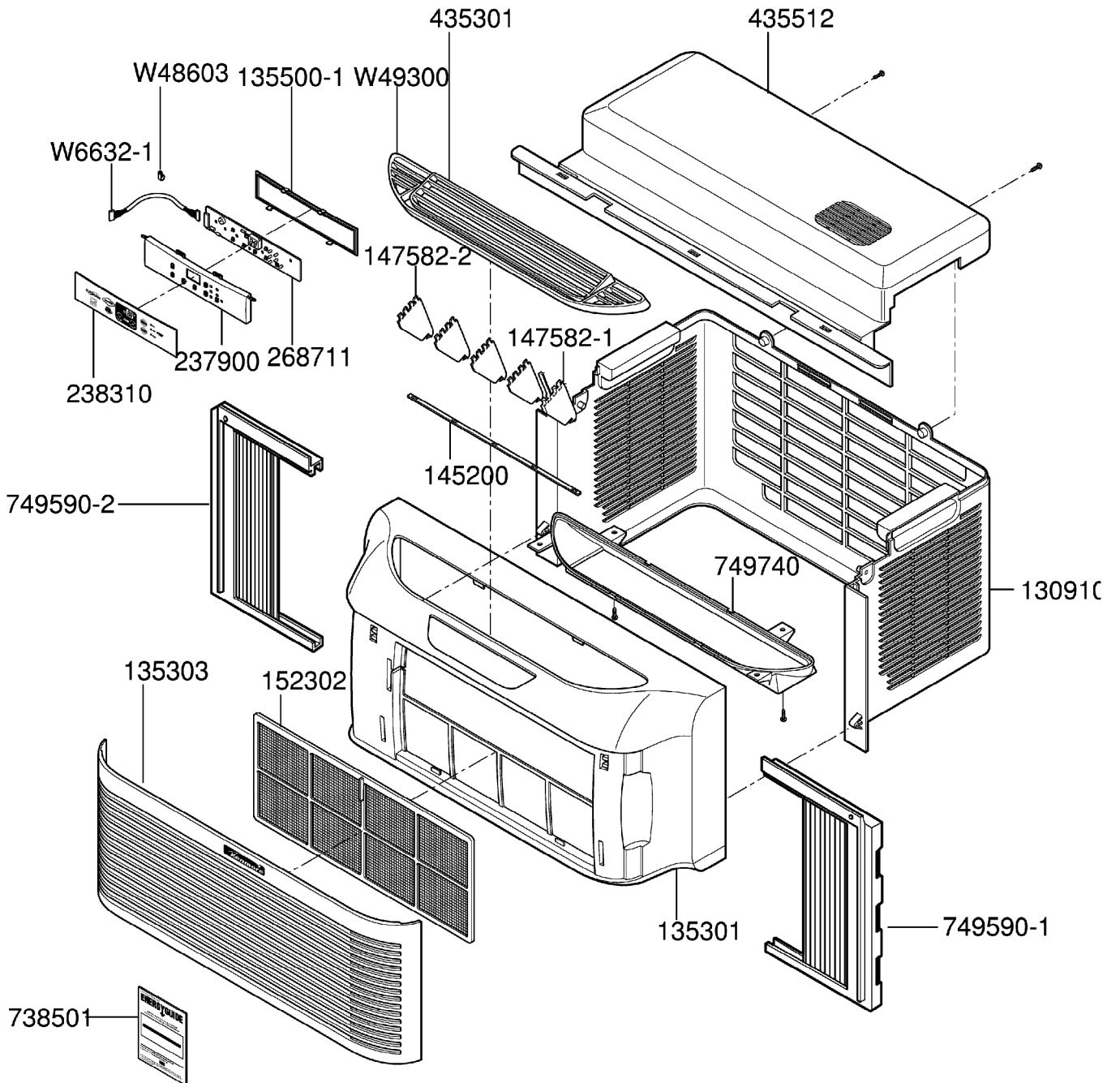
ILLUSTRATION NUMBER	PART NUMBER	DESCRIPTION
1 - A	3041A20041A	BASE ASSEMBLY, SINGLE
2 - A	5238A20022A	AIR GUIDE-LOWER
3 - A	4960A20045A	MOUNT, MOTOR
4 - A	4681A20088B	MOTOR ASSEMBLY, INDOOR
5 - A	5901A20020A	FAN ASSEMBLY, CROSS FLOW
6 - A	4280A20004B	BEARING
7 - A	5238A20021A	AIR GUIDE UPPER
8 - A	5421A20137A	EVAPORATOR ASSEMBLY
9 - A	4681A20089A	MOTOR ASSEMBLY, OUTDOOR
10 - A	5900A20006A	FAN PROPELLER
11 - A	5403A20117A	CONDENSER ASSEMBLY
12 - A	3H02932B	CLAMP SPRING
13 - A	4998A20002A	SHROUD
14 - A	4800A20009A	BRACE

= Functional Parts

* = Non-illustrated Parts

CAUTION: Use the Kenmore part number on all orders, **not** the illustration number.

CABINET & FRONT GRILLE ASSEMBLY



CAUTION: Use the Kenmore part number on all orders, **not** the illustration number.

CABINET & FRONT GRILLE ASSEMBLY

ILLUSTRATION NUMBER	PART NUMBER	DESCRIPTION
1 - B	3530A10153A	GRILLE, FRONT
2 - B	3530A10152A	GRILLE, INLET
3 - B	5230A20031A	FILTER(MECH), A/C
4 - B	4974A20044A	GUIDE, DISCHARGE
5 - B	4930A20041A	HOLDER, COVER
6 - B	3530A20078A	GRILLE, DISCHARGE
7 - B	3091A20017B	CABINET ASSEMBLY
8 - B	3550A20202B	COVER, TOP
9 - B	3790A20065A	WINDOW DISPLAY
10 - B	3831A20055A	ESCUTCHEON
11 - B	6871A20342D	PWB(P.C.B) ASSEMBLY, DISPLAY
12 - B	6631A10005B	CONNECTOR ASSEMBLY
13 - B	3550A20200A	COVER, DISPLAY
14 - B	4H00399F	CLAMP, CORD
15 - B	4758A30037A	LOUVER, VERTICAL
16 - B	4758A30037B	LOUVER, VERTICAL
17 - B	4520A30052A	LINK
18 - B	4959A20001A	CURTAIN, ASSEMBLY
19 - B	4959A20001B	CURTAIN, ASSEMBLY
20 - B	3850A21286V	LABEL ENERGY
*	3828A20291R	MANUAL OWNER'S
*	3828A24001T	MANUAL SERVICE

= Functional Parts

* = Non-illustrated Parts

CAUTION: Use the Kenmore part number on all orders, **not** the illustration number.

CONTROL BOX ASSEMBLY



CAUTION: Use the Kenmore part number on all orders, **not** the illustration number.

CONTROL BOX ASSEMBLY

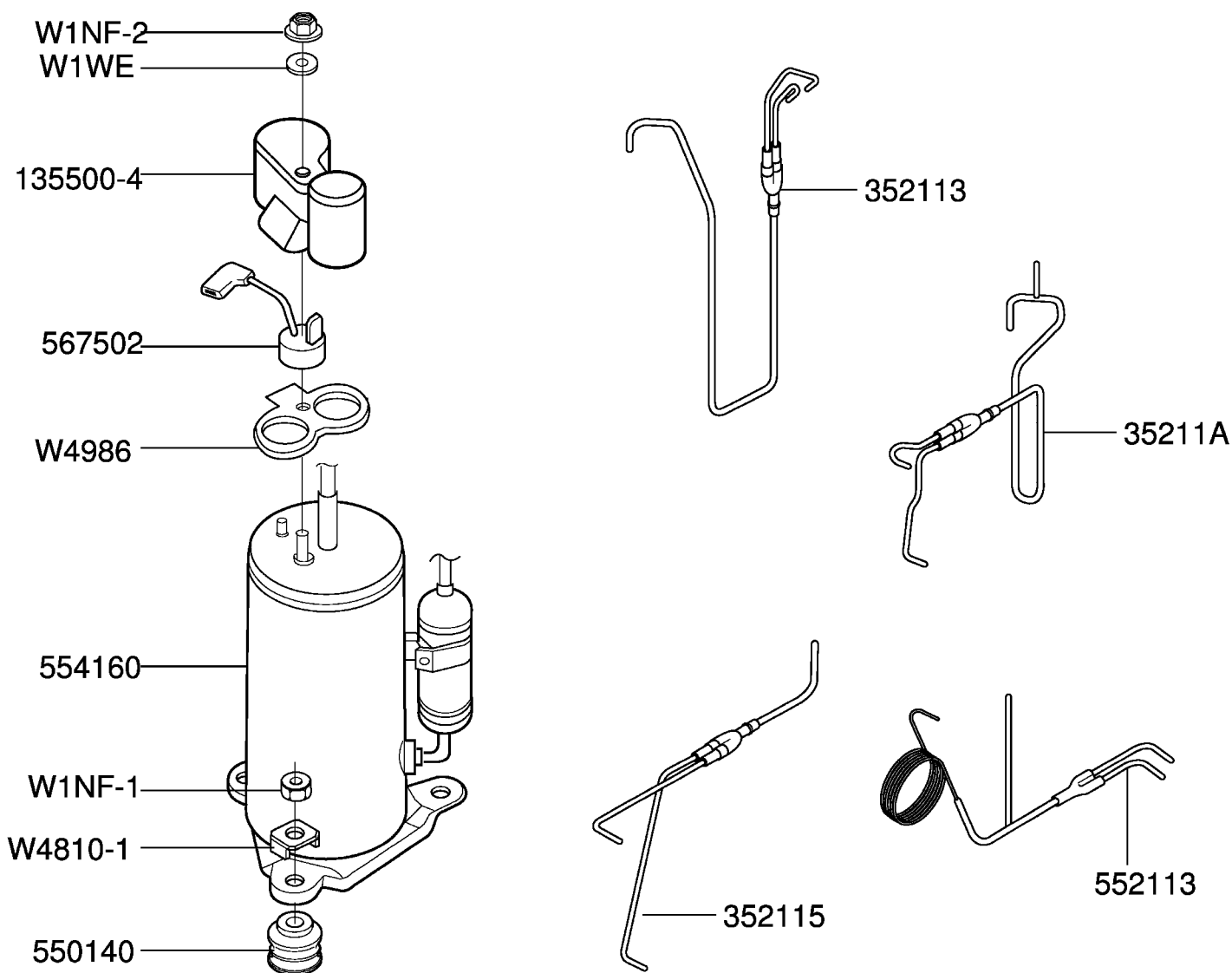
ILLUSTRATION NUMBER		PART NUMBER	DESCRIPTION
1 - C		4994A20063A	CONTROL BOX, SINGLE
2 - C		6871A20343C	PWB(P.C.B) ASSEMBLY, MAIN(AC)
3 - C		6631A10005A	CONNECTOR ASSEMBLY
4 - C	#	3A02157J	CAPACITOR, DRAWING
5 - C		6631A30012C	CONNECTOR ASSEMBLY
6 - C		6631A30027B	CONNECTOR ASSEMBLY
7 - C		6631A30003E	CONNECTOR ASSEMBLY
8 - C		6631A30012D	CONNECTOR ASSEMBLY
9 - C	#	6411A20048Y	POWER CORD ASSEMBLY
10 - C		4004AR4357A	CLIP
11 - C		3550A20201A	COVER, CONTROL BOX
12 - C	#	6120AR2359V	CAPACITOR, DRAWING
13 - C		3550A20209A	COVER, CONTROL BOX
14 - C	#	6323A20004E	THERMISTOR ASSEMBLY
15 - C		6711A20056T	REMOTE CONTROLLER

= Functional Parts

* = Non-illustrated Parts

CAUTION: Use the Kenmore part number on all orders, **not** the illustration number.

COMPRESSOR PARTS



CAUTION: Use the Kenmore part number on all orders, **not** the illustration number.

COMPRESSOR PARTS

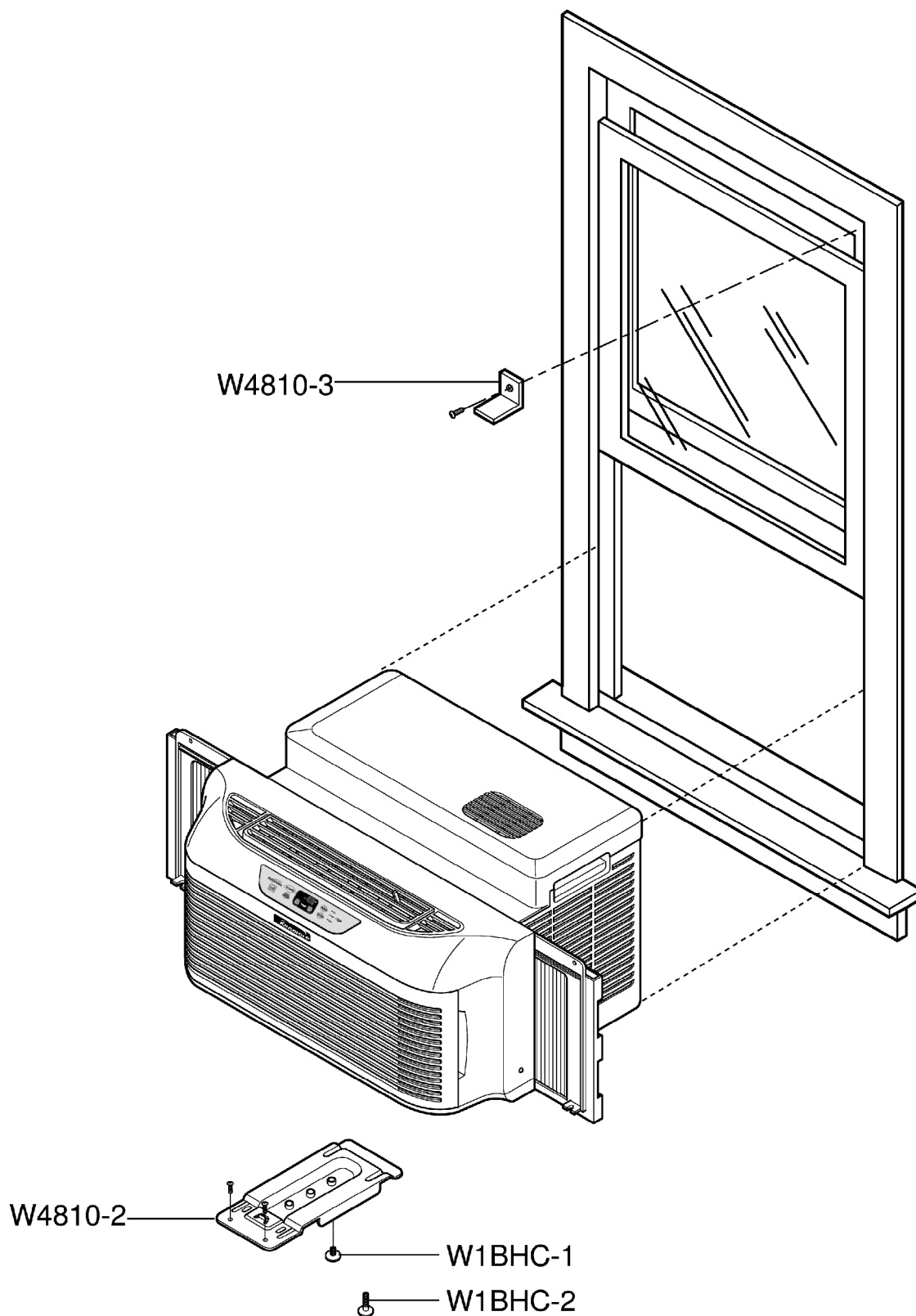
ILLUSTRATION NUMBER		PART NUMBER	DESCRIPTION
1 - D		5040AR4195A	ISOLATOR, COMP
2 - D	#	2520UCDA013	COMPRESSOR
3 - D		4810AR4155A	BRACKET
4 - D		1NHA0801206	NUT, HEXAGON
5 - D		4986U-L001G	GASKET
6 - D	#	6750U3L001A	O. L. P
7 - D		3550U-L006A	COVER
8 - D		4H01058A	WASHER, DRAWING
9 - D		4H00947A	NUT, DRAWING
10 - D		5211A20834B	TUBE ASSEMBLY, EVAPORATOR
11 - D		5211A20831A	TUBE ASSEMBLY, SUCTION
12 - D		5211A20832A	TUBE ASSEMBLY, DISCHARGE
13 - D		5211A20879C	TUBE ASSEMBLY, CONDENSER OUT

= Functional Parts

* = Non-illustrated Parts

CAUTION: Use the Kenmore part number on all orders, **not** the illustration number.

INSTALLATION KIT ASSEMBLY & REMOTE CONTROLLER



CAUTION: Use the Kenmore part number on all orders, **not** the illustration number.

INSTALLATION KIT ASSEMBLY & REMOTE CONTROLLER

ILLUSTRATION NUMBER	PART NUMBER	DESCRIPTION
1 - E	4810A20162A	SUPPORT BRACKET
2 - E	1BZZA30005A	BOLT, DRAWING(SHORT)
3 - E	1BZZA30005B	BOLT, DRAWING(LONG)
4 - E	4H01785B	L-BRACKET

= Functional Parts

* = Non-illustrated Parts

Get it fixed, at your home or ours!

Your Home

For repair – **in your home** – of **all** major brand appliances, lawn and garden equipment, or heating and cooling systems, **no matter who made it, no matter who sold it!**

For the replacement parts, accessories and owner's manuals that you need to do-it-yourself.

For Sears professional installation of home appliances and items like garage door openers and water heaters.

1-800-4-MY-HOME® (1-800-469-4663)

Call anytime, day or night (U.S.A. and Canada)

www.sears.com www.sears.ca

Our Home

For repair of carry-in items like vacuums, lawn equipment, and electronics, call or go on-line for the location of your nearest **Sears Parts & Repair Center.**

1-800-488-1222

Call anytime, day or night (U.S.A. only)

www.sears.com

To purchase a protection agreement (U.S.A.) or maintenance agreement (Canada) on a product serviced by Sears:

1-800-827-6655 (U.S.A.)

1-800-361-6665 (Canada)

Para pedir servicio de reparación a domicilio, y para ordenar piezas:

1-888-SU-HOGARSM

(1-888-784-6427)

Au Canada pour service en français:

1-800-LE-FOYER^{MC}

(1-800-533-6937)

www.sears.ca

SEARS

® Registered Trademark / TM Trademark / SM Service Mark of Sears, Roebuck and Co.

® Marca Registrada / TM Marca de Fábrica / SM Marca de Servicio de Sears, Roebuck and Co.

^{MC} Marque de commerce / ^{MD} Marque déposée de Sears, Roebuck and Co.

© Sears, Roebuck and Co.

Part No.: 3828A24001T