

This Owner's Manual is provided and hosted by [Appliance Factory Parts](#).



LG F1320W Owner's Manual

[Shop genuine replacement parts for LG F1320W](#)

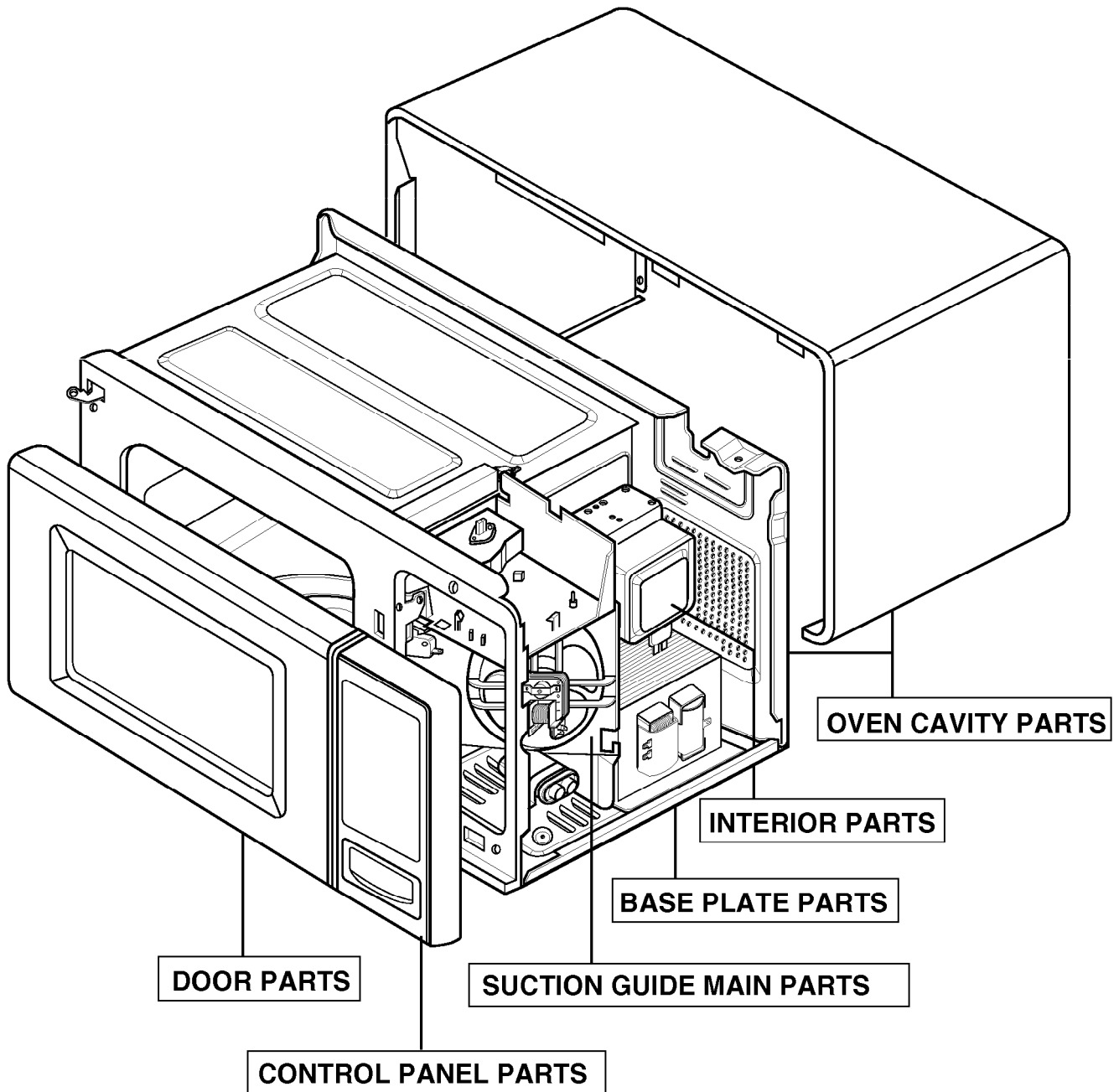


[Find Your LG Microwave Parts - Select From 955 Models](#)

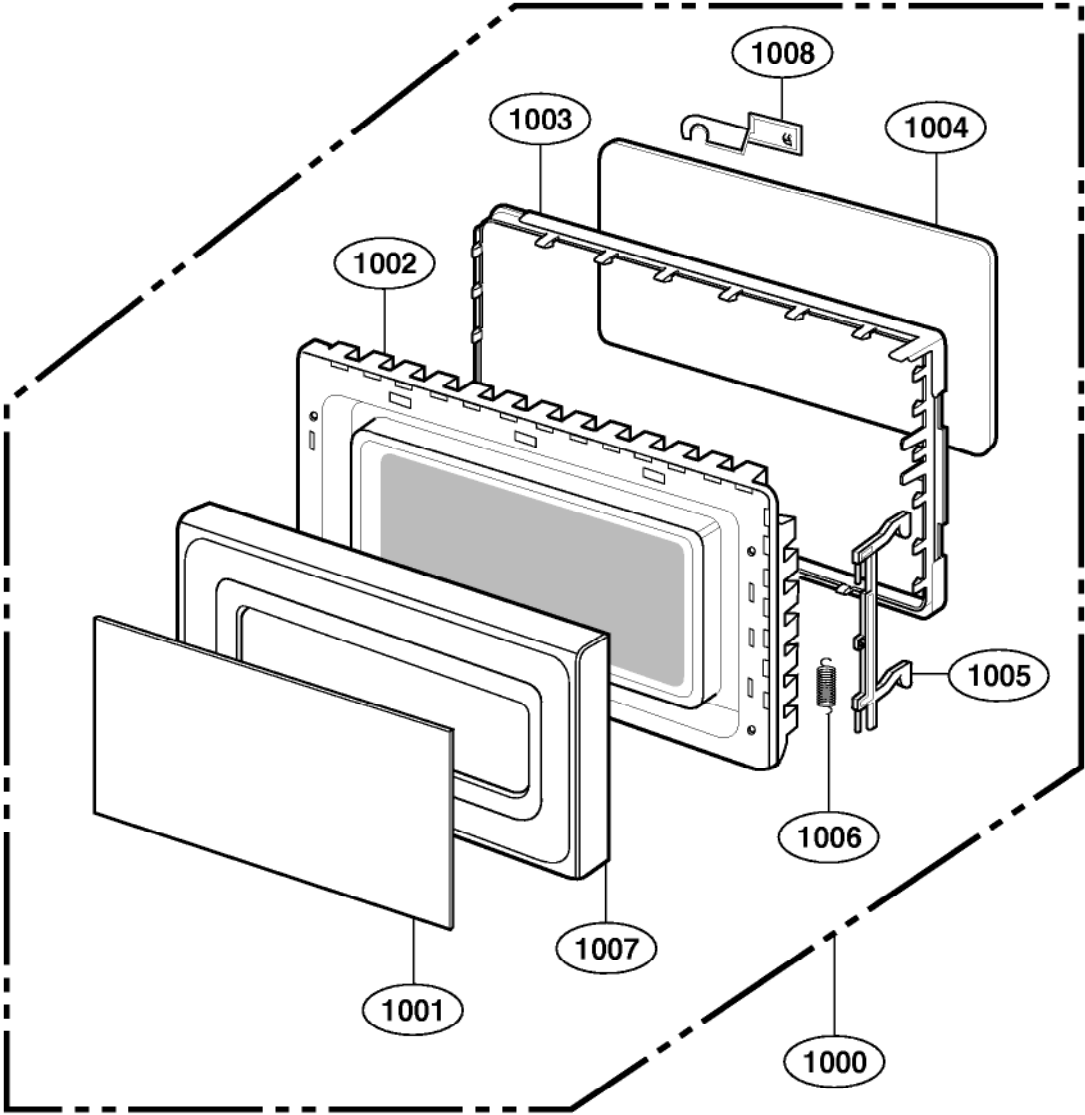
----- Manual continues below -----

EXPLODED VIEW

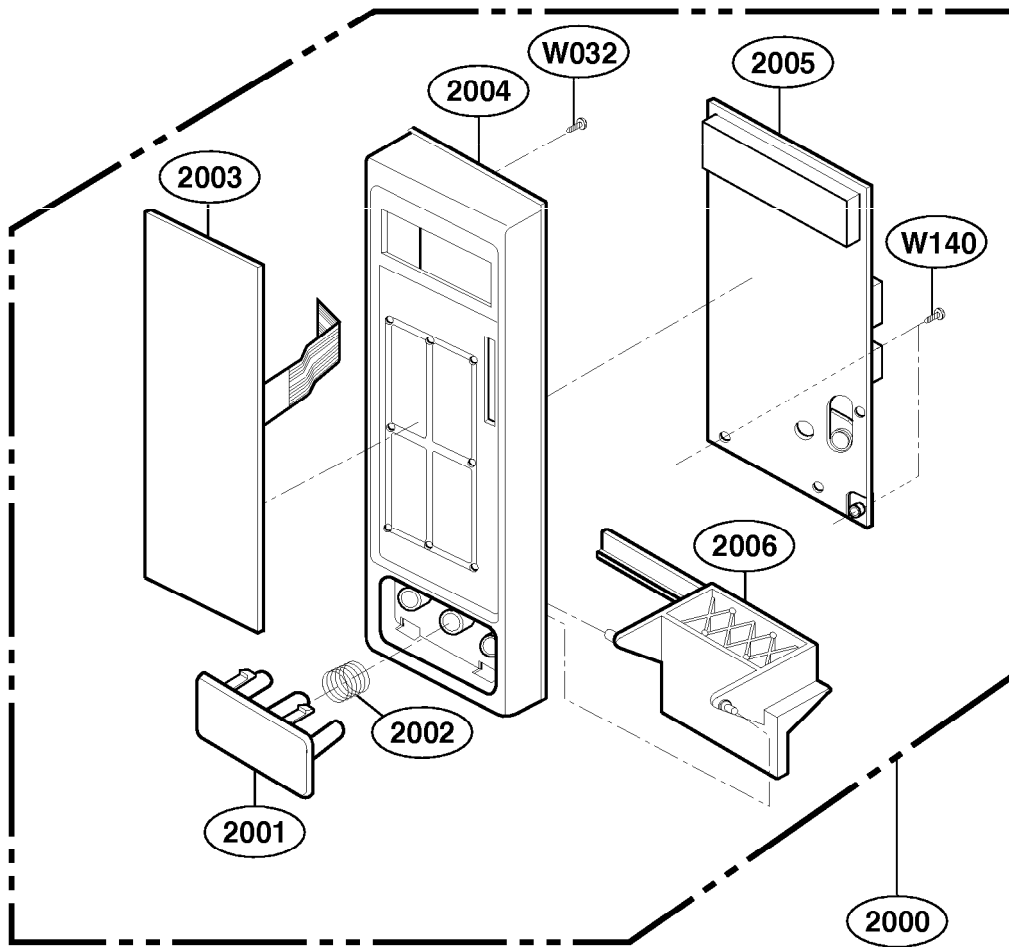
INTRODUCTION



DOOR PARTS

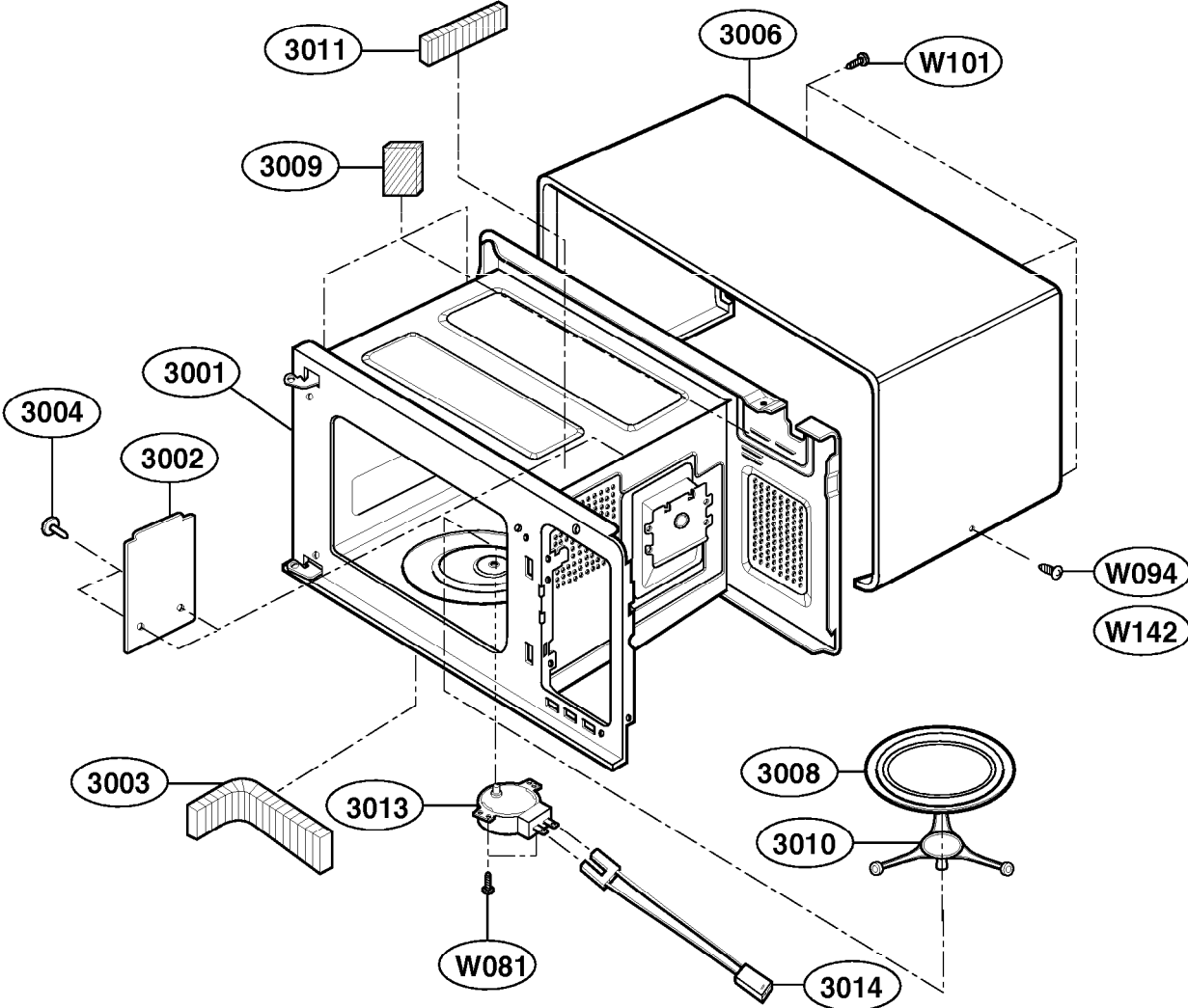


CONTROLLER PARTS



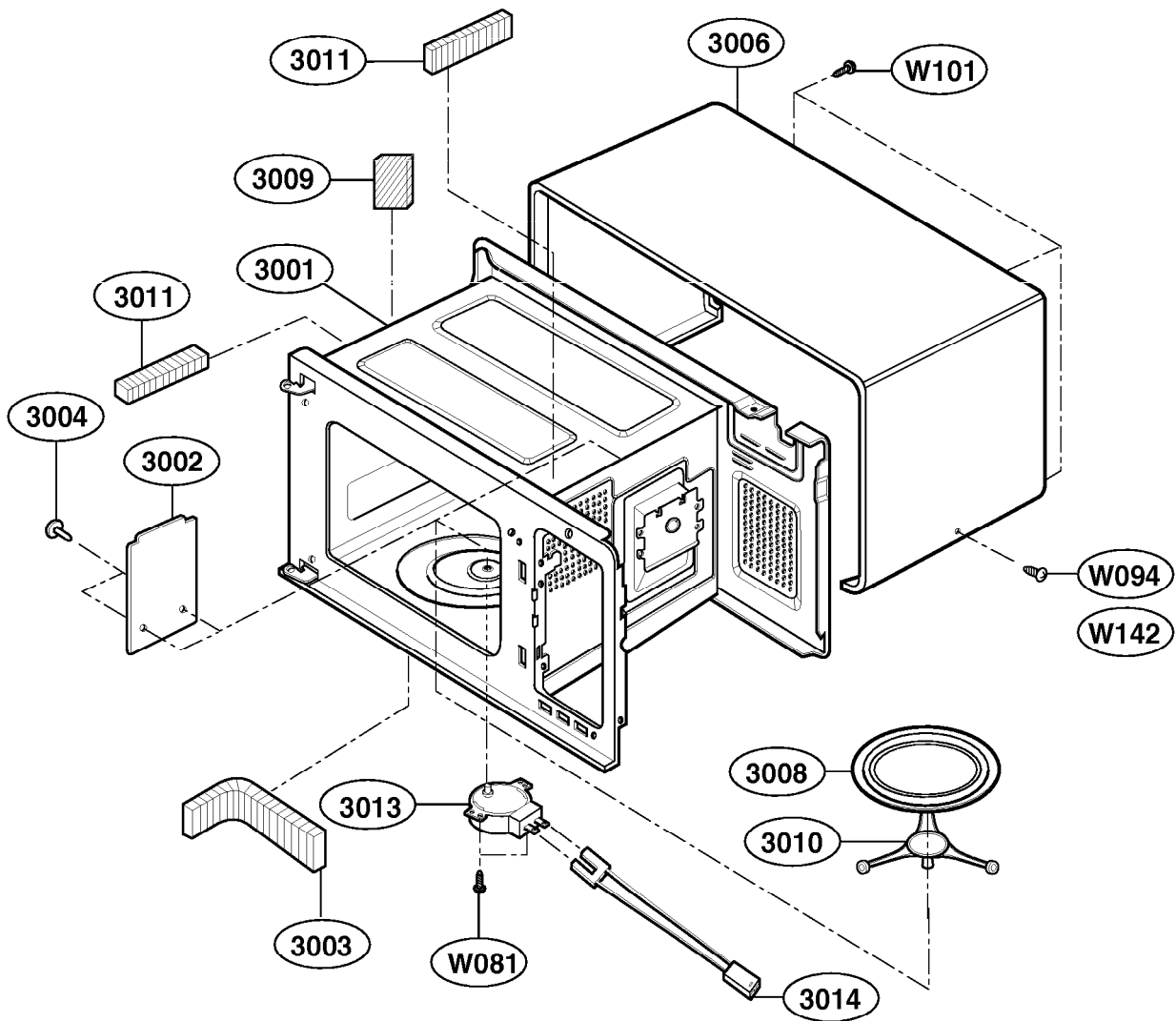
OVEN CAVITY PARTS

FOR MODEL: MA-1305W



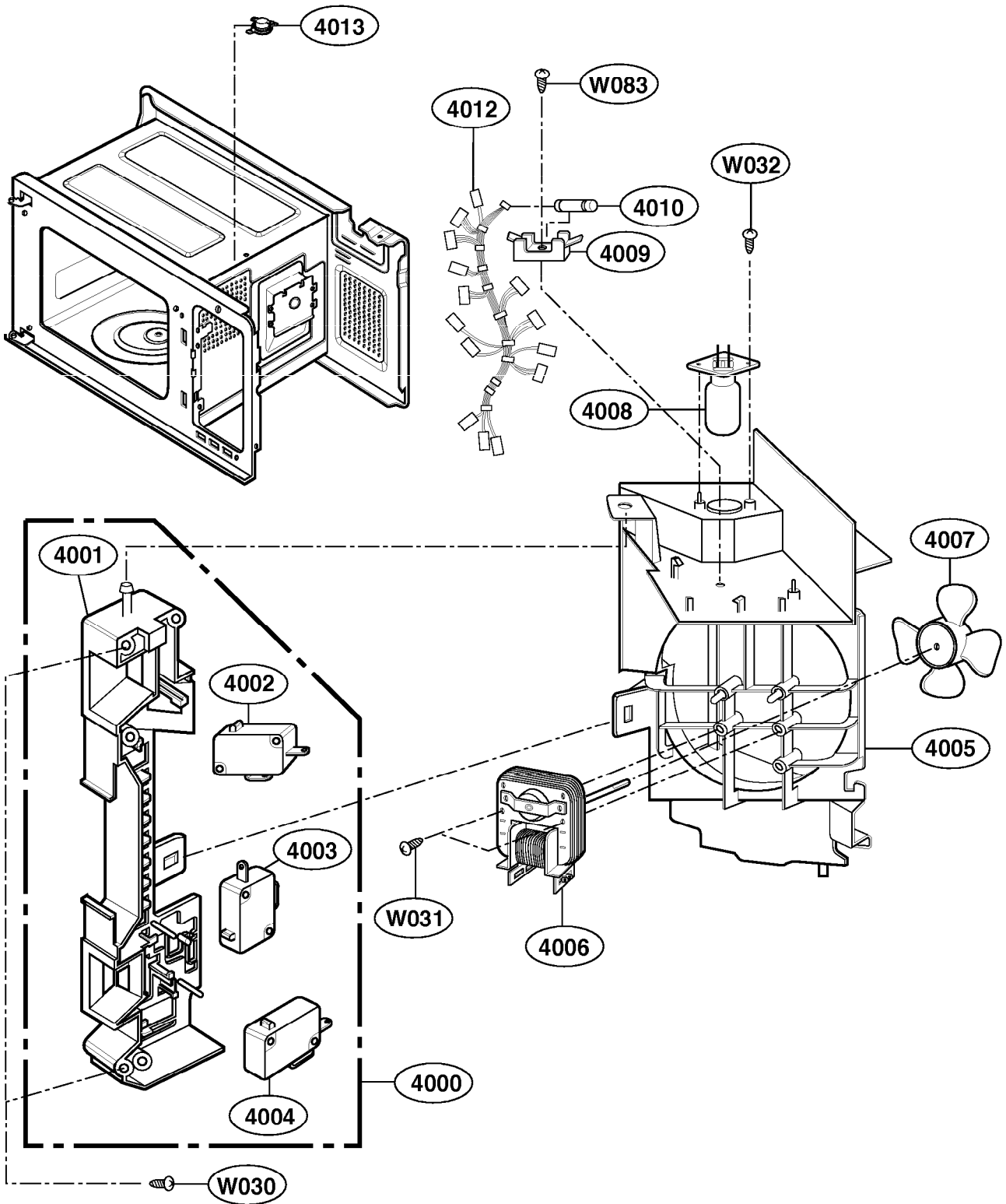
OVEN CAVITY PARTS

FOR MODEL: MA-1505W



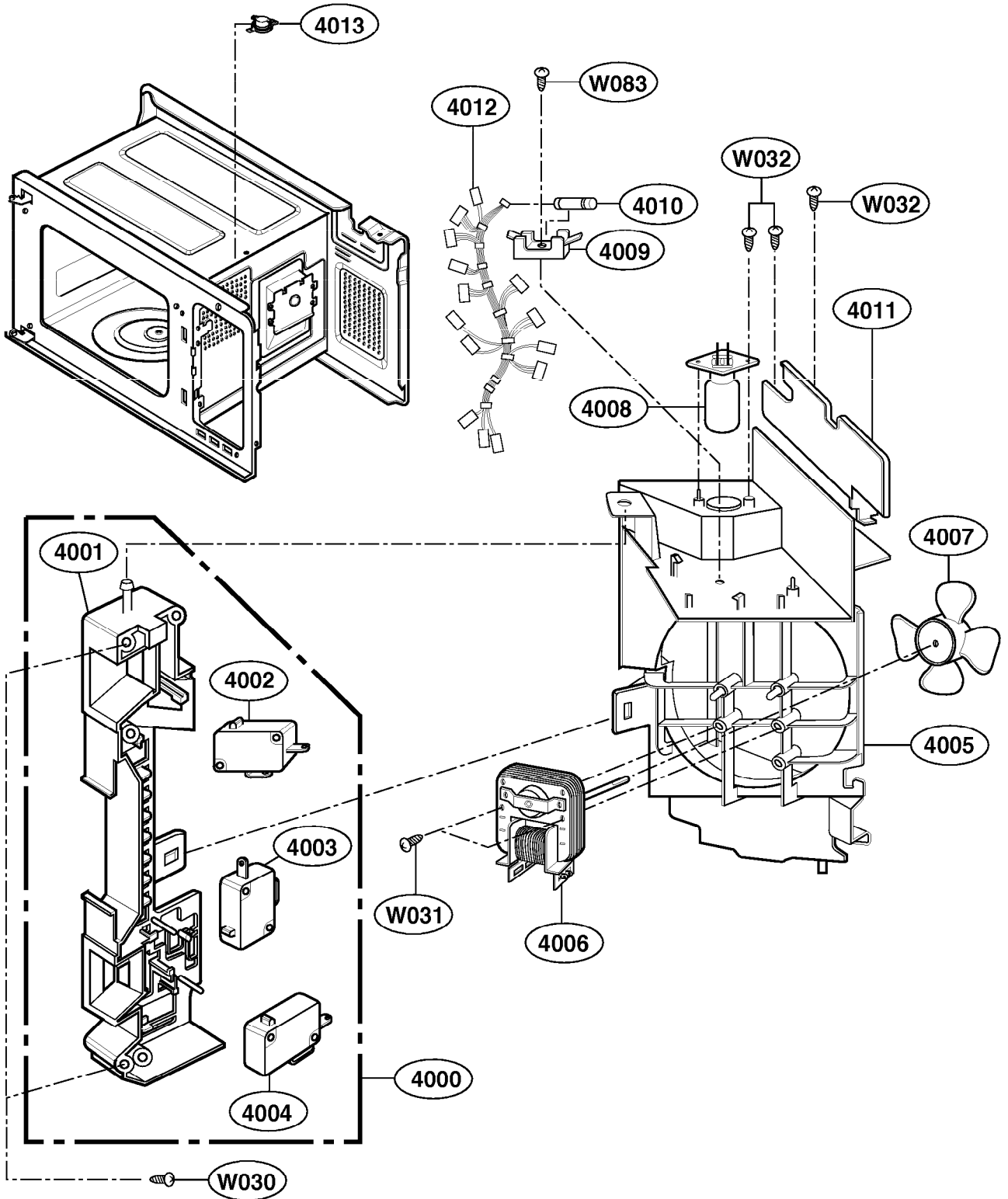
SUCTION GUIDE PARTS

FOR MODEL: MA-1305W

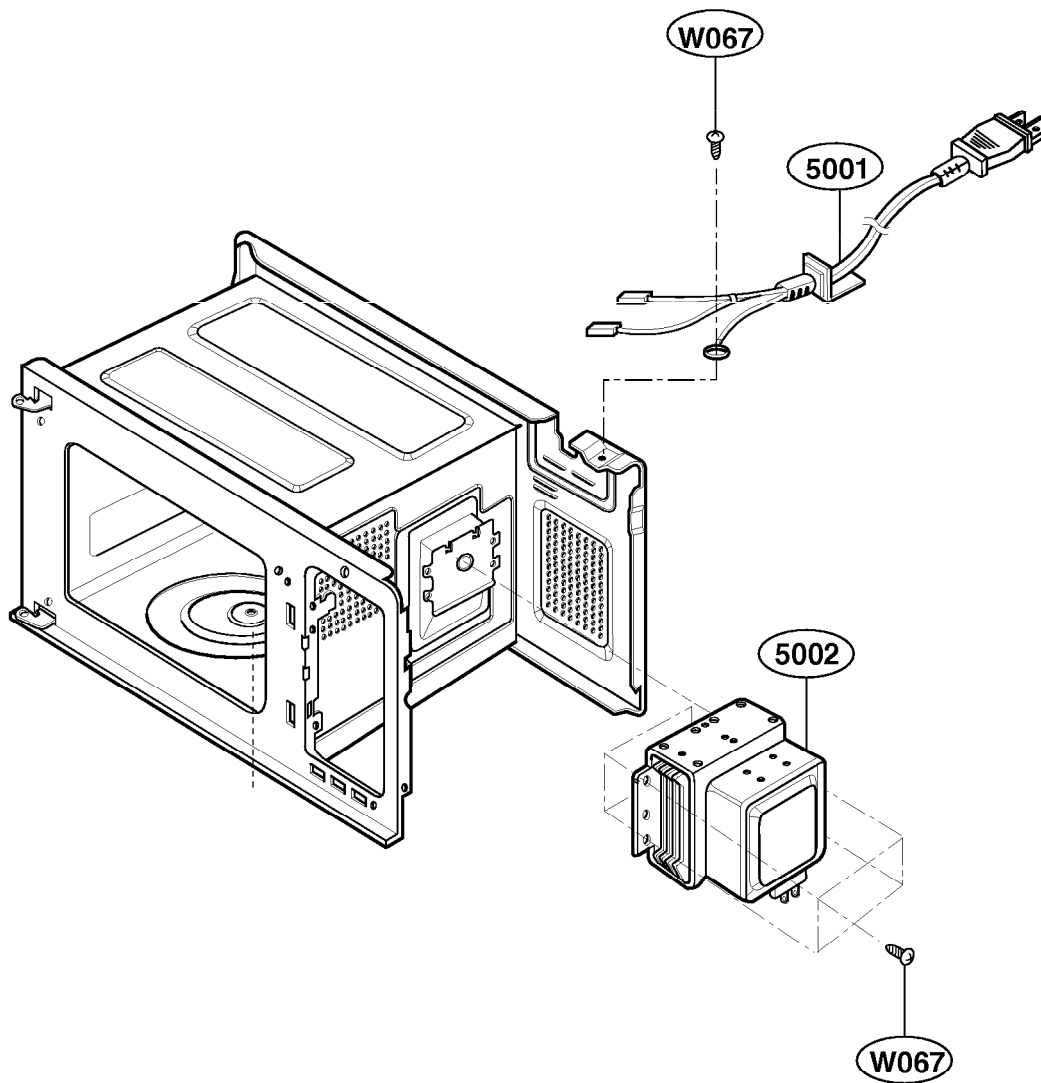


SUCTION GUIDE PARTS

FOR MODEL: MA-1505W



INTERIOR PARTS



BASE PLATE PARTS

