



website <http://www.lgservice.com>

LG

# LG Room Air Conditioner

## ***SERVICE MANUAL***

**MODEL: TWC051HGAA2.AWYBLAT (W051CA)  
TWC052HGAA0.AWYBLCP (LA050MG)  
TWC061HGAA2.AWYBLAT (W061CA)  
TWC062HGAA0.AWYBLCP (LA060MG1)**

### **CAUTION**

- BEFORE SERVICING THE UNIT, READ THE SAFETY PRECAUTIONS IN THIS MANUAL.
- ONLY FOR AUTHORIZED SERVICE PERSONNEL.

# TABLE OF CONTENTS

<b>Safety Precautions</b> .....	<b>3</b>
<b>Dimensions</b> .....	<b>5</b>
Outside Dimensions .....	5
<b>Product Specifications</b> .....	<b>6</b>
<b>Installation</b> .....	<b>7</b>
Select the Best Location .....	7
How to Install.....	7
<b>Operation</b> .....	<b>8</b>
Features .....	8
Insulation Resistance Test.....	8
About the Controls on the Air conditioner .....	8
<b>Disassembly</b> .....	<b>9</b>
Mechanical Parts.....	9
Air Handling Parts .....	10
Electrical Parts .....	11
Refrigerating Cycle.....	12
<b>Schematic Diagram</b> .....	<b>15</b>
Wiring Diagram.....	15
<b>Troubleshooting Guide</b> .....	<b>16</b>
Piping System .....	16
Troubleshooting Guide .....	17
Room Air Conditioner Voltage Limits.....	19
<b>Exploded View</b> .....	<b>22</b>
<b>Replacement Parts List</b> .....	<b>23</b>

# Safety Precautions



To prevent injury to the user or other people and property damage, the following instructions must be followed.

■ Incorrect operation due to ignoring instruction will cause harm or damage. The seriousness is classified by the following indications.

**⚠ WARNING** This symbol indicates the possibility of death or serious injury.

**⚠ CAUTION** This symbol indicates the possibility of injury or damage to property only.

■ Meanings of symbols used in this manual are as shown below.

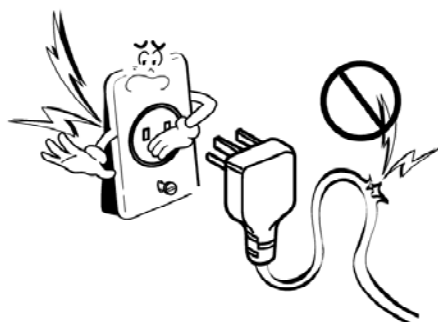
	<b>Be sure not to do.</b>
	<b>Be sure to follow the instruction.</b>

## ⚠ WARNING

### ■ Installation

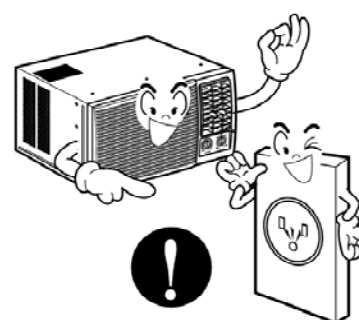
**Do not use damaged power cord plugs, or a loose socket.**

• There is risk of fire or electric shock.



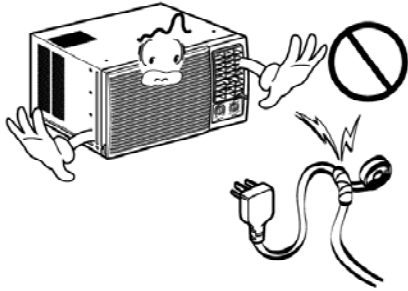
**Always use the power plug and socket with the ground terminal.**

• There is risk of electric shock.



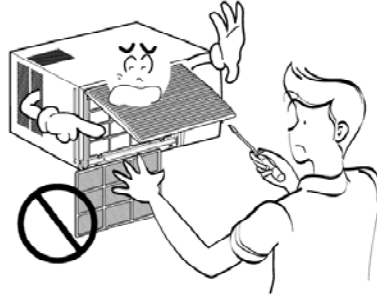
**Do not modify or extend the power cord.**

- There is risk of fire or electric shock.



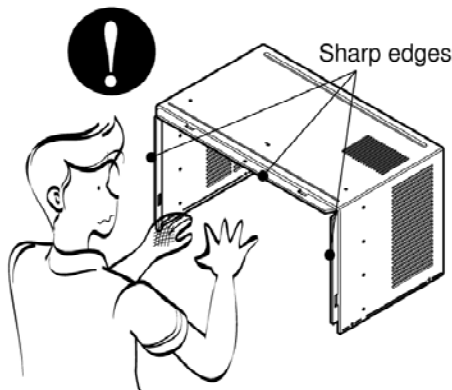
**Do not install, remove, or re-install the unit by yourself.**

- There is risk of fire, electric shock, explosion, or injury.



**Be cautious when unpacking and installing the product.**

- Sharp edges could cause injury. Be especially careful of the case edges and the fins on the condenser and evaporator.



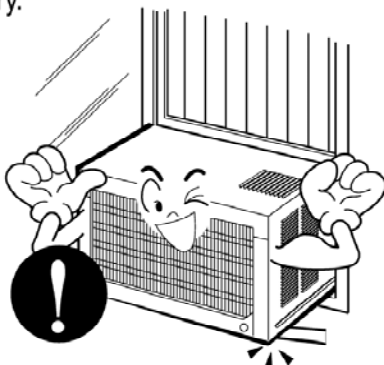
**Do not store or use flammable gas or combustibles near the air conditioner.**

- There is risk of fire or failure of product.



**Be sure the installation area does not deteriorate with age.**

- If the base collapses, the air conditioner could fall with it, causing property damage, product failure, and personal injury.



# Dimensions

## Symbols Used in this Manual



This symbol alerts you to the risk of electric shock.

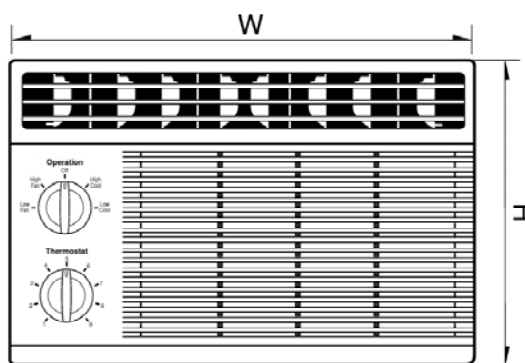
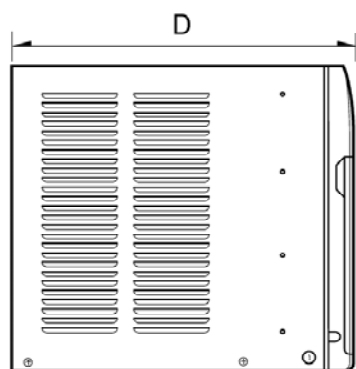


This symbol alerts you to hazards that could cause harm to the air conditioner.

**NOTICE**

This symbol indicates special notes.

## Outside Dimensions



Dimension		Model	All Model
W	mm(inch)		472(18 9/16")
H	mm(inch)		312(12 1/4")
D	mm(inch)		370(14 9/16")

# Product Specifications

ITEMS		MODELS			
		W051CA	W061CA	LA050MG	LA060MG1
POWER SUPPLY		1ø, 115V~, 60Hz		1ø, 230V~, 60Hz	
COOLING CAPACITY		5050 Btu/h	6000 Btu/h	5500KJ/H	6000KJ/H
INPUT (W)		520	620	520	555
RUNNING CURRENT (A)		4.8	5.8	2.4	2.5
E.E.R (BTU/W.h)		9.7BTU/W.h	9.7BTU/W.h	10.6KJ/H-W	10.8KJ/H-W
OPERATING	INDOOR (°C)	27(DB)* 19(WB)**			
CONDITION	OUTDOOR (°C)	35(DB)*	24(WB)**	35(DB)*	27(WB)**
REFRIGERANT (R-22) CHARGE		220	270	250	
EVAPORATOR		Ø5 2R 10C SLIT-FIN		Ø7 2R 10C SLIT-FIN	
CONDENSER		Ø7 1R 14C, LOUVERED-FIN		Ø5 2R 14C, LOUVERED-FIN	
FAN, INDOOR		TURBO FAN			
FAN, OUTDOOR		PROPELLER TYPE FAN WITH SLINGER-RING			
FAN SPEEDS, FAN/COOLING		2/2			
FAN MOTOR		4 POLES			
OPERATION CONTROL		ROTARY SWITCH			
ROOM TEMP. CONTROL		THERMOSTAT			
AIR DIRECTION CONTROL		2WAY (RIGHT & LEFT)			
CONSTRUCTION		TOP DOWN CHASSIS			
PROTECTOR	COMPRESSOR	OVERLOAD PROTECTOR(Internal)			
	FAN MOTOR	INTERNAL THERMAL PROTECTOR			
POWER CORD		(3 WIRE WITH GROUDING)			
		ATTACHMENT PLUG (CORD-CONNECTED TYPE)			
DRAIN SYSTEM		DRAIN PIPE OR SPLASHED BY FAN SLINGER			

\* DB: Dry Bulb

\*\*WB: Wet Bulb

**NOTICE** SPECIFICATIONS ARE SUBJECT TO MINOR CHANGE WITHOUT NOTICE FOR FURTHER IMPROVEMENT.

# Installation

This air conditioner is designed with a button-down chassis so it can be easily installed in a window.

## Select the Best Location

1. To prevent vibration and noise, make sure the unit is installed securely and firmly.
2. Install the unit where the sun does not shine directly on the unit.
3. The outside of the cabinet must extend outward for at least 10" and there should be no obstacles, such as a fence or wall, within 20" from the back of the cabinet because it will prevent heat radiation of the condenser. Restriction of outside air will greatly reduce the cooling efficiency of the air conditioner.



**CAUTION: All side louvers of the cabinet must remain exposed on the outside of the structure.**

4. Install the unit slanted slightly so the back is slightly lower than the front (about 1/4"). This will force condensed water to the outside.
5. Install the unit with the bottom about 30"~60" above the floor level.

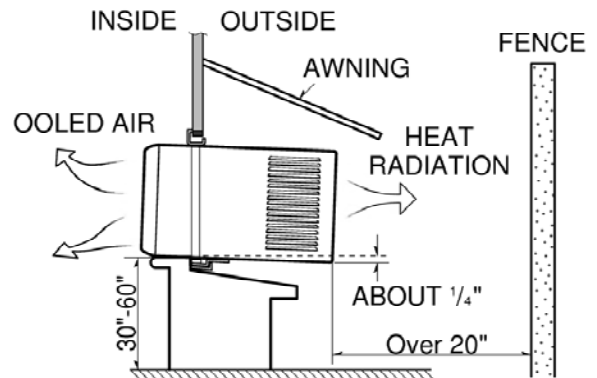


Figure 1

## How to Install

### Window Requirements

**NOTICE** All supporting parts should be secured to firm wood, masonry, or metal.

1. This unit is designed for installation in standard double hung windows with actual opening widths of 22" to 36". The upper and lower sash must open sufficiently to allow a clear vertical opening of 13" from the bottom of the sash to the window stool.
2. If storm window presents interference, fasten a 2" wide wood strip to the inner window sill across the full width of the sill. The wood strip should be thick enough to raise the height of the window sill so that the unit can be installed without interference by the storm window frame. See Figure. 3. Top of wood strip should be approximately 3/4" higher than the storm window frame (STORM WINDOW FRAME) or wood strip (OUTDOORS) to help condensation to drain properly to the outside.
3. Install a second wood strip (approximately 6" long by 1 1/2" wide and same thickness as first strip) in the center of the outer sill flush against the back off the inner sill. This will raise the L bracket as shown Figure. 3.
4. If the distance between STORM WINDOW FRAME and WOOD STRIP MOUNTED ON TOP OF INNER SILL is more than 1", two of wood strip are not necessary.

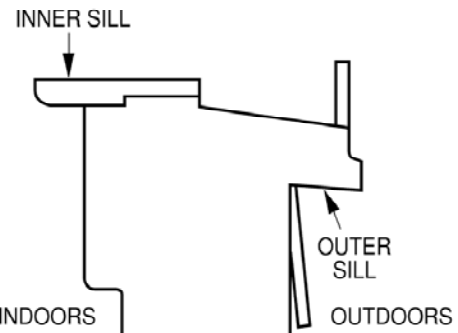


Figure 2

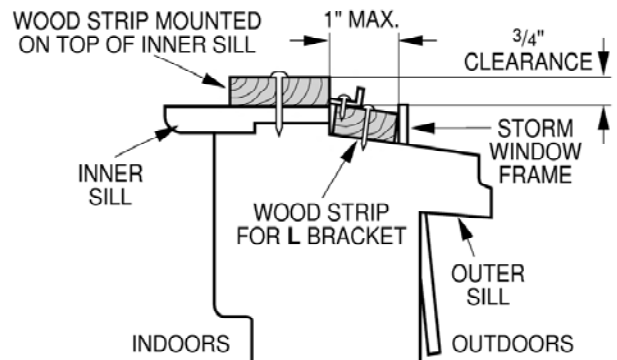


Figure 3

# Operation

## Feature

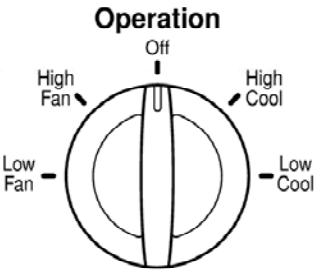
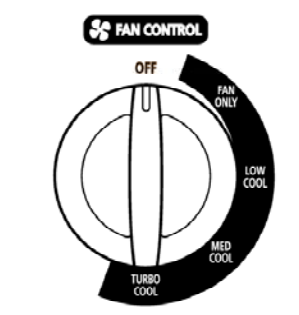
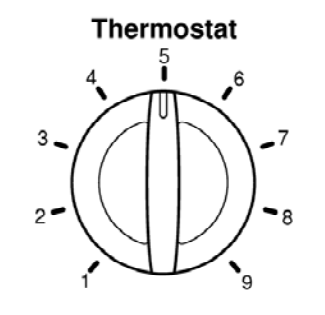
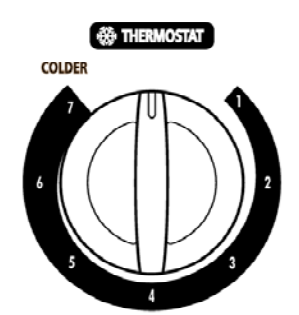
- DESIGNED FOR COOLING ONLY
- POWERFUL AND INCREDIBLE COOLING
- TOP-DOWN CHASSIS FOR THE SIMPLE INSTALLATION AND SERVICE
- BUILT-IN ADJUSTABLE THERMOSTAT
- WASHABLE ONE-TOUCH FILTER
- COMPACT SIZE

## Insulation Resistance Test

### INSULATION RESISTANCE TEST

1. Unplug the power cord and connect a jumper between 2 pins (black and white).
2. The grounding conductor (green or green and yellow) is to be open.
3. Measure the resistance value with an ohm meter between the jumpered lead and each exposed metallic part on the equipment at all positions [except Off] of the ROTARY SWITCH.
4. The value should be over 1 MΩ.

## About the jControls or the Air Conditioner

<p><b>Operation</b></p> 	<p><b>FAN CONTROL</b></p> 	<p>Off - Turns air conditioner off.                      High Fan - High speed fan operation without cooling.                      Low Fan - Low speed fan operation without cooling.                      High Cool - Cooling with high speed fan operation.                      Low Cool - Cooling with low speed fan operation.</p> <p>FAN ONLY- Fan operation without cooling.                      TURBO COOL - Cooling with high speed fan operation.</p>
<p><b>Thermostat</b></p> 	<p><b>THERMOSTAT</b></p>  <p><small>WAIT THREE MINUTES BEFORE RESTARTING</small></p>	<p>This automatically controls the temperature of the indoor air.                      Turn the knob so that arrow points to the larger marks for greater cooling.                      Point the arrow to the smaller marks for more moderate cooling.                      (i.e. the higher number, the greater cooling)</p>

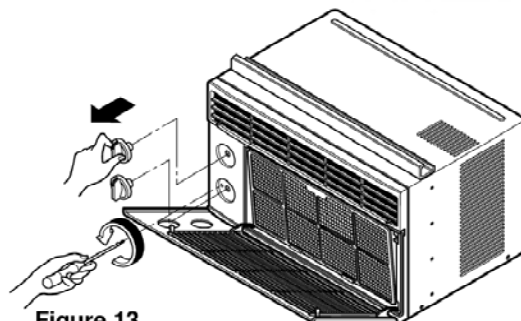


# Disassembly

## Mechanical Parts

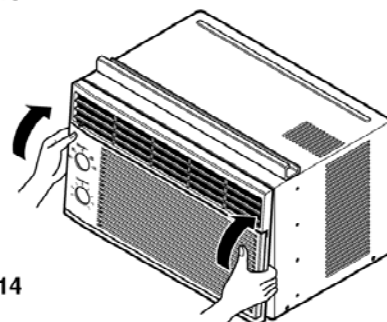
### 1. FRONT GRILLE

1. Disconnect the unit from source of power.
2. Remove the two knobs by pulling them off.  
Using a screwdriver, remove the screw that secures the front grille to control board. (See Figure 13)
3. Push the front grille up from the bottom.  
Pull the top of the front grille away from the cabinet as the top tabs lift out of their slots. (See Figure 14)
4. Replace the grille by placing the tabs in the slots and push the grille until it snaps into place.



### 2. CABINET

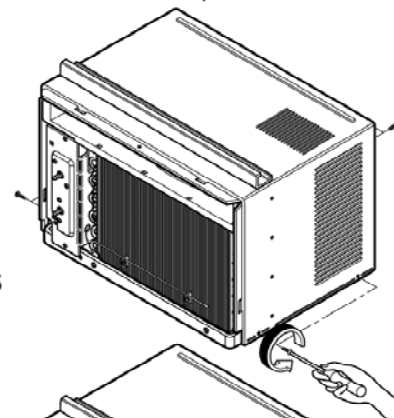
1. Disconnect the unit from the power source.
2. Remove the front grille. (Refer to section 1)
3. Remove 9 screws that secure the cabinet to the base pan and condenser. (See Figure 15)
4. Lift the cabinet from the unit.
5. Re-install by referring to the procedures above.



### 3. CONTROL BOARD

1. Disconnect the unit from the power source.
2. Remove the front grille. (Refer to Section 1)
3. Remove the cabinet. (Refer to Section 2)
4. Remove 2 screws that secure the control board to base pan and air guide. (See Figure 16)
5. Pull the control board toward yourself.

Figure 15



**NOTICE** Controls, wires, and capacitor are now accessible for servicing. Discharge the capacitor before servicing. See step 2.3.3 on page 8 for procedures.

6. Disconnect one housing terminal and 3 wires for the fan motor and compressor. (See Figure 17)
7. Re-install components by referring to procedures above. (Refer to wiring diagram on page 17 in this manual or inside control board.)

Figure 16

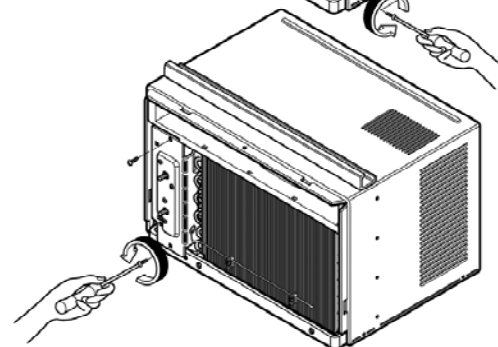
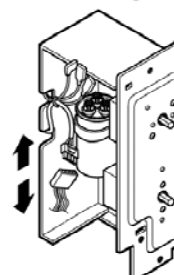


Figure 17



## Air Handling Parts

### 4. AIR GUIDE UPPER

1. Disconnect the unit from the power source.
2. Remove the front grille. (Refer to Section 1)
3. Remove the cabinet. (Refer to Section 2)
4. Remove the control board. (Refer to Section 3)
5. Remove 2 screws that secure the brace to air guide upper and shroud. (See Figure 18)
6. Remove 2 screws that secure the air guide upper to air guide lower. (See Figure 8)
7. Lift air guide upper upward.
8. Re-install by referring to the procedures above.

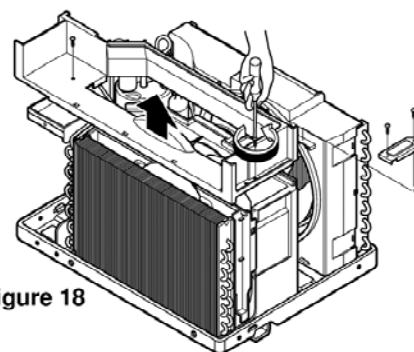


Figure 18

### 5. ORIFICE, TURBO FAN AND FAN

1. Disconnect the unit from the power source.
2. Remove the front grille. (Refer to Section )
3. Remove the cabinet. (Refer to Section 2)
4. Remove the control board. (Refer to Section 3)
5. Remove the air guide upper. (Refer to Section 24)
6. Remove 2 screws that secure the base pan to condenser. (See Figure 19)
7. Remove 2 screws that secures the shroud to channel of condenser.
8. Press the snap area of shroud with your thumbs. This allows you to remove it from the condenser.
9. Lift the compressor upward with the evaporator and condenser. (See Figure 19)
10. Remove the orifice by pushing the snap area of the air guide blower. (See Figure 20)
11. Remove the clamp springs which are clamped to the boss of fan and turbo fan by hand plier. (See Figure 21)
12. Pull the fan and turbo fan outward.
13. Remove the shroud.
14. Re-install by referring to the procedures above.

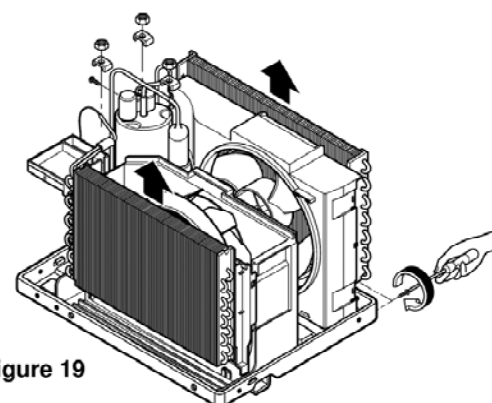


Figure 19

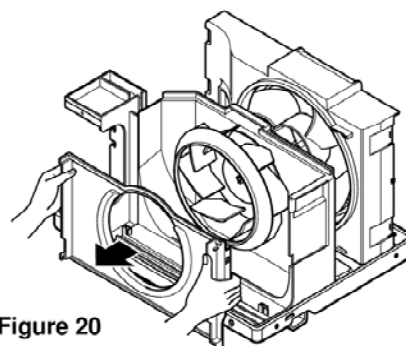


Figure 20

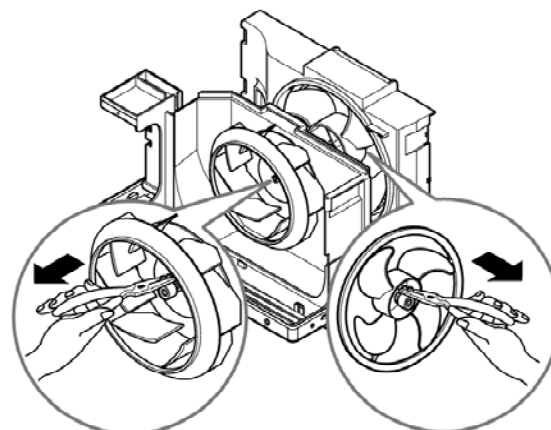


Figure 21

**6. MOTOR**

1. Disconnect the unit from the power source.
2. Remove the front grille. (Refer to Section 1)
3. Remove the cabinet. (Refer to Section 2)
4. Remove the control board. (Refer to Section 3)
5. Remove the air guide upper. (Refer to Section 4)
6. Remove the compressor, turbo fan, fan and shroud. (Refer to Section 5)
7. Remove 2 screws that secure the motor to the motor. (See Figure 22)
8. Remove the motor.
9. Re-install by referring to the procedures above.

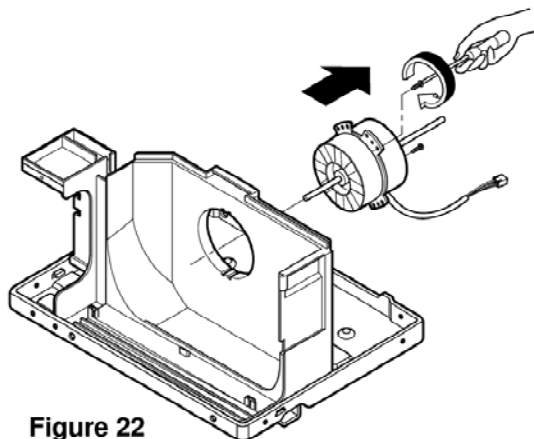


Figure 22

**7. AIR GUIDE**

1. Disconnect the unit from the power source.
2. Remove the front grille. (Refer to Section 1)
3. Remove the cabinet. (Refer to Section 2)
4. Remove the control board. (Refer to Section 3)
5. Remove the air guide upper. (Refer to Section 4)
6. Remove the compressor, turbo fan, fan and shroud. (Refer to Section 5)
7. Remove the motor. (Refer to Section 6)
8. Remove 2 screws that secure the air guide to the base pan. (See Figure 23)
9. Push the air guide backward and lift it upward. (See Figure 23)
10. Re-install by referring to the procedures above.

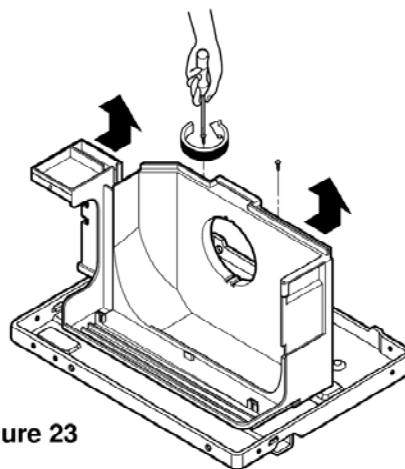


Figure 23

**Electrical Parts**

**8. OVERLOAD PROTECTOR**

1. Remove the front grille and cabinet. (Refer to Section 1, 2)
2. Remove the nut which fastens the terminal cover.
3. Remove the terminal cover.
4. Remove all the leads from the overload protector.
5. Remove the overload protector.
6. Re-install the components by referring to the removal procedure above. (See Figure 24 and 25)

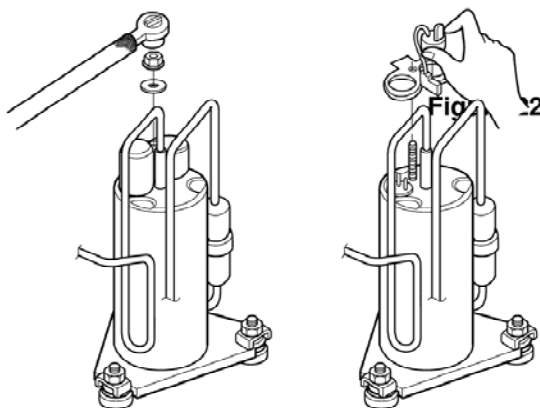


Figure 24

**9. COMPRESSOR**

1. Remove the front grille and cabinet. (Refer to Section 1, 2)
2. Discharge the refrigerant by using a refrigerant recovery system.
3. Remove the overload protector. (Refer to Section 8)
4. After discharging the unit completely, unbrace the suction and discharge pipes at the compressor connections.
5. Remove 3 nuts which fasten the compressor.
6. Remove the compressor.
7. Re-install by referring to the removal procedure above. (See Figure 25)

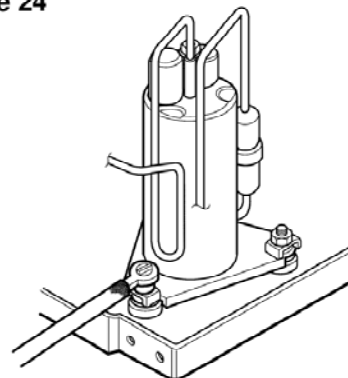
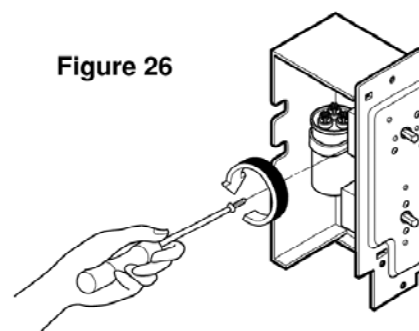


Figure 25

**10. CAPACITOR**

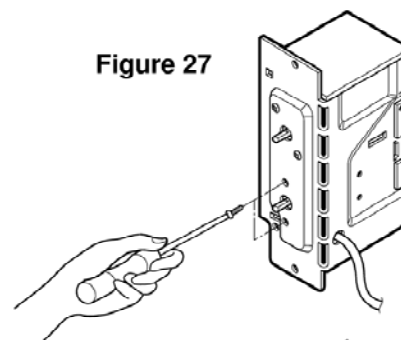
1. Remove the cabinet. (Refer to Section 2)
2. Remove the control board. (Refer to Section 3)
3. Discharge the capacitor by placing a 20 K $\Omega$  resistor across the capacitor terminals.
4. Remove the screw which fastens the capacitor clamp.
5. Remove all the leads of capacitor terminals.
6. Re-install the components by referring to the removal procedure above. (See Figure 26)

Figure 26

**11. THERMOSTAT**

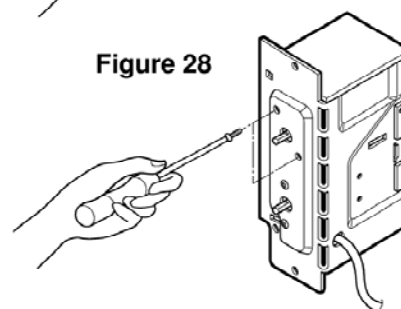
1. Remove the cabinet. (Refer to Section 2)
2. Remove the control board. (Refer to Section 3)
3. Remove 2 screws which fasten the thermostat. (See Figure 27)
4. Remove all the leads of the thermostat terminals.
5. Remove the thermostat.
6. Re-install the components by referring to the removal procedure above.

Figure 27

**12. ROTARY SWITCH**

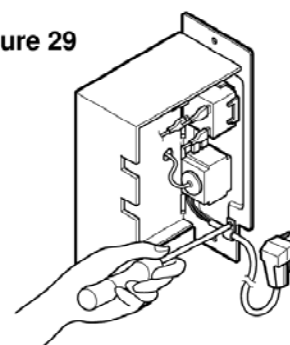
1. Remove the cabinet. (Refer to Section 2)
2. Remove the control board. (Refer to Section 3)
3. Remove 2 screws which fasten the rotary switch. (See Figure 28)
4. Remove all the leads of the rotary switch terminals.
5. Remove the rotary switch.
6. Re-install the components by referring to the removal procedure above.

Figure 28

**13. POWER CORD**

1. Disconnect the unit from source of power.
2. Remove the front grille. (Refer to Section 1)
3. Remove the cabinet. (Refer to Section .2)
4. Remove a screw that secures control board to base pan and air guide. (Refer to Section 3)
5. Pulls the control board toward you.
6. Disconnect the 2 receptacles and remove the grounding screw.
7. Remove a screw securing the clip with cord to the control board. (See Figure 29)
8. Pull the power cord.
9. Re-install by referring to procedures above.

Figure 29

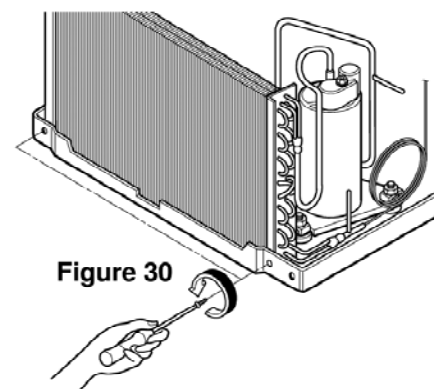


## Refrigerating Cycle

**14. CONDENSER**

1. Remove the cabinet. (Refer to Section 2)
2. Discharge the refrigerant by using a refrigerant recovery system.
3. Remove 2 screws which fasten the condenser. (See Figure 30)
4. After discharging the refrigerant completely, unbraid the interconnecting tube at the condenser connections.
5. Remove the condenser.
6. Re-install by referring to the procedures above.

Figure 30



### 15. EVAPORATOR

1. Remove the cabinet. (Refer to Section 2)
2. Discharge the refrigerant by using a refrigerant recovery system.
3. Remove the air guide upper. (Refer to Section 4)
4. After discharging the refrigerant completely, unbrazed the interconnecting tube at the evaporator connections.
5. Remove the evaporator.
6. Re-install by referring to the procedures above.

### 16. CAPILLARY TUBE

1. Remove the cabinet. (Refer to Section 2)
2. Discharge the refrigerant by using a refrigerant recovery system.
3. Remove the air guide upper. (Refer to Section 4)
4. After discharging the refrigerant completely, unbrazed the interconnecting tube of the capillary tube.
5. Remove the capillary tube.
6. Re-install by referring to the procedures above.

#### **NOTICE** Replacement of the refrigeration cycle.

1. When replacing the refrigerating cycle, be sure to discharge the refrigerant by using a refrigerant recovery system.
2. After discharging the unit completely, remove the desired components, and unbrazed the pinch-off tubes.
3. Solder service valves into the pinch-off tube ports, leaving the valves open.
4. Solder the pinch-off tubes with service valves.
5. After completing the above procedures, the valve must be closed and left in place on the system for any subsequent procedures.
6. Evacuate as follows:
  - 6-1. Connect the vacuum pump, as illustrated in figure 31A.
  - 6-2. Start the vacuum pump. Slowly open manifold valves A and B with two full turns counter-clockwise and leave the valves closed. The vacuum pump is now pulling through valves A and B up to valve C by means of manifold and the entire system.



**CAUTION:** If high vacuum equipment is used, just crack valves A and B for a few minutes, then open

**slowly with the two full turns counter-clockwise. This will keep oil from foaming and being drawn into the vacuum pump.**

- 6-3. Operate the vacuum pump for 20 to 30 minutes, until 600 micron vacuum is obtained. Close valves A and B and observe vacuum gauge for a few minutes. A rise in pressure would indicate a possible leak or moisture remaining in the system. With valves A and B closed, stop the vacuum pump.
- 6-4. Remove the hose from the vacuum pump and place it on the charging cylinder. See figure 20B. Open valve C. Discharge the line at the manifold connection.
- 6-5. The system is now ready for final charging.
7. Recharge as follows:
  - 7-1. Rotary compressor systems are charged from the high-side. If the total charge cannot be put in the high-side, the balance will be put in the suction line through the access valve which is installed as the system is opened.
  - 7-2. Connect the charging cylinder as shown in figure 31B. With valve C open, discharge the hose at the manifold connection.
  - 7-3. Open valve A and allow the proper charge to enter the system. Valve B is still closed.
  - 7-4. If more charge is required, the high-side will not take it. Close valve A.
  - 7-5. With the unit running, open valve B and add the balance of the charge.
    - a. Do not add the liquid refrigerant to the low-side.
    - b. Watch the low-side gauge, allow pressure to rise to 30 lbs(0.2MP).
    - c. Turn off valve B and allow the pressure to drop.
    - d. Repeat steps B and C until the balance of the charge is in the system.
  - 7-6. When the unit is operating correctly, use the pinch-off tool with the unit still running and the clamp on the pinch-off tube. Using a tube cutter, cut the pinch-off tube about 2 inches from the pinch-off tool. Use sil-fos solder and solder the pinch-off tube closed. Turn off the unit, allow setting for a while and then test the leakage of the pinch-off connection.

**Equipment needed:** Vacuum pump, charging cylinder, manifold gauge, brazing equipment, pinch-off tool capable of making a vapor proof seal, leak detector, tubing cutter, hand tools to remove components and service valve.

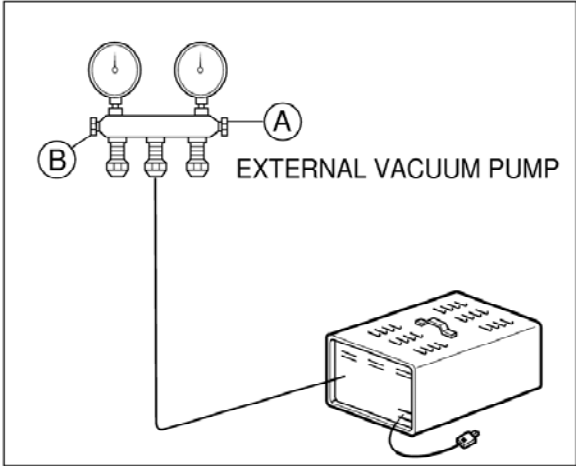
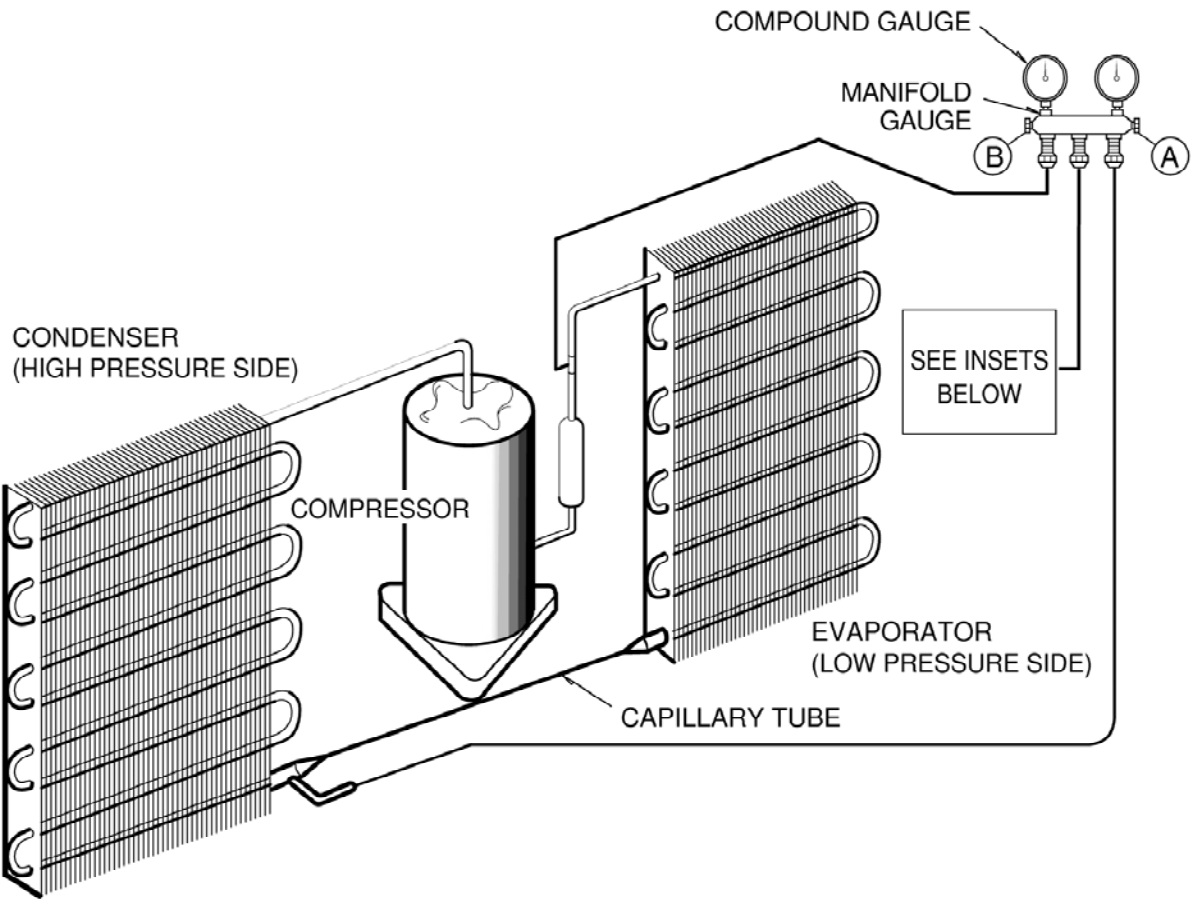


Figure 31A-Pulling Vacuum

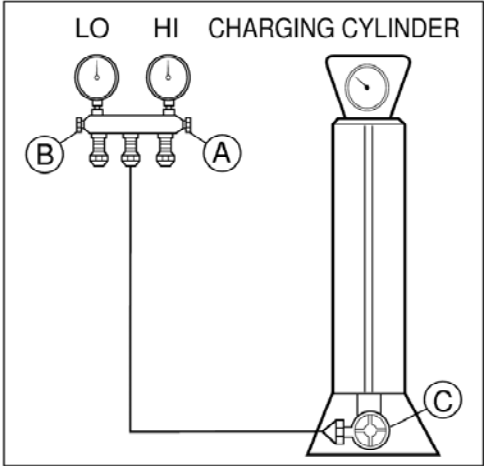


Figure 31B-Charging

# Schematic Diagram

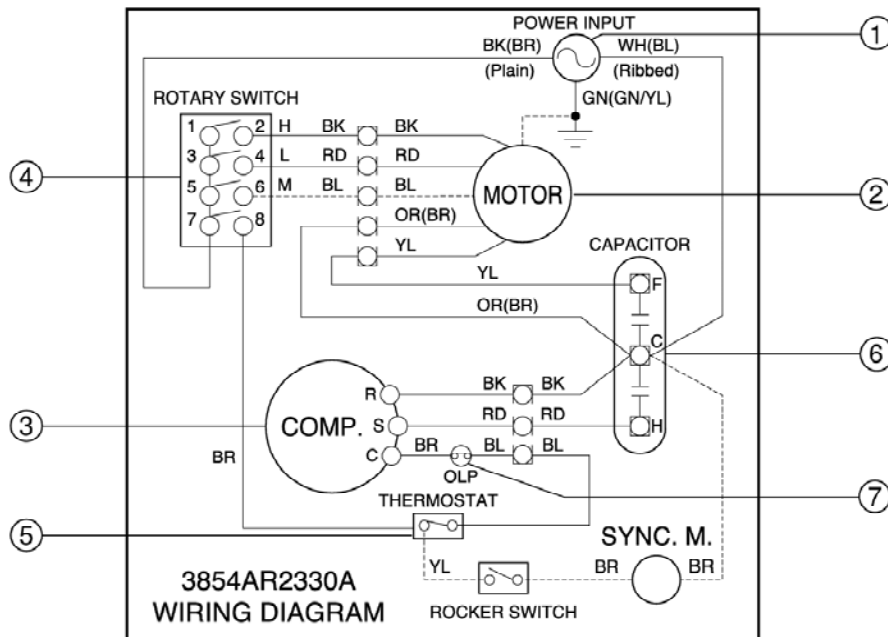
## Wiring Diagram

• MODEL: W051CA

LA050MG

W061CA

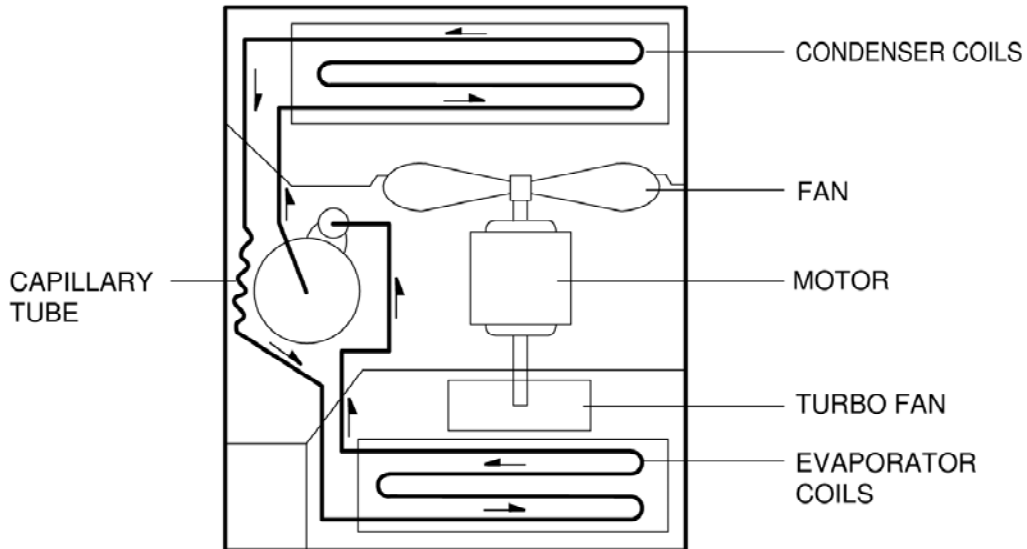
LA060MG1



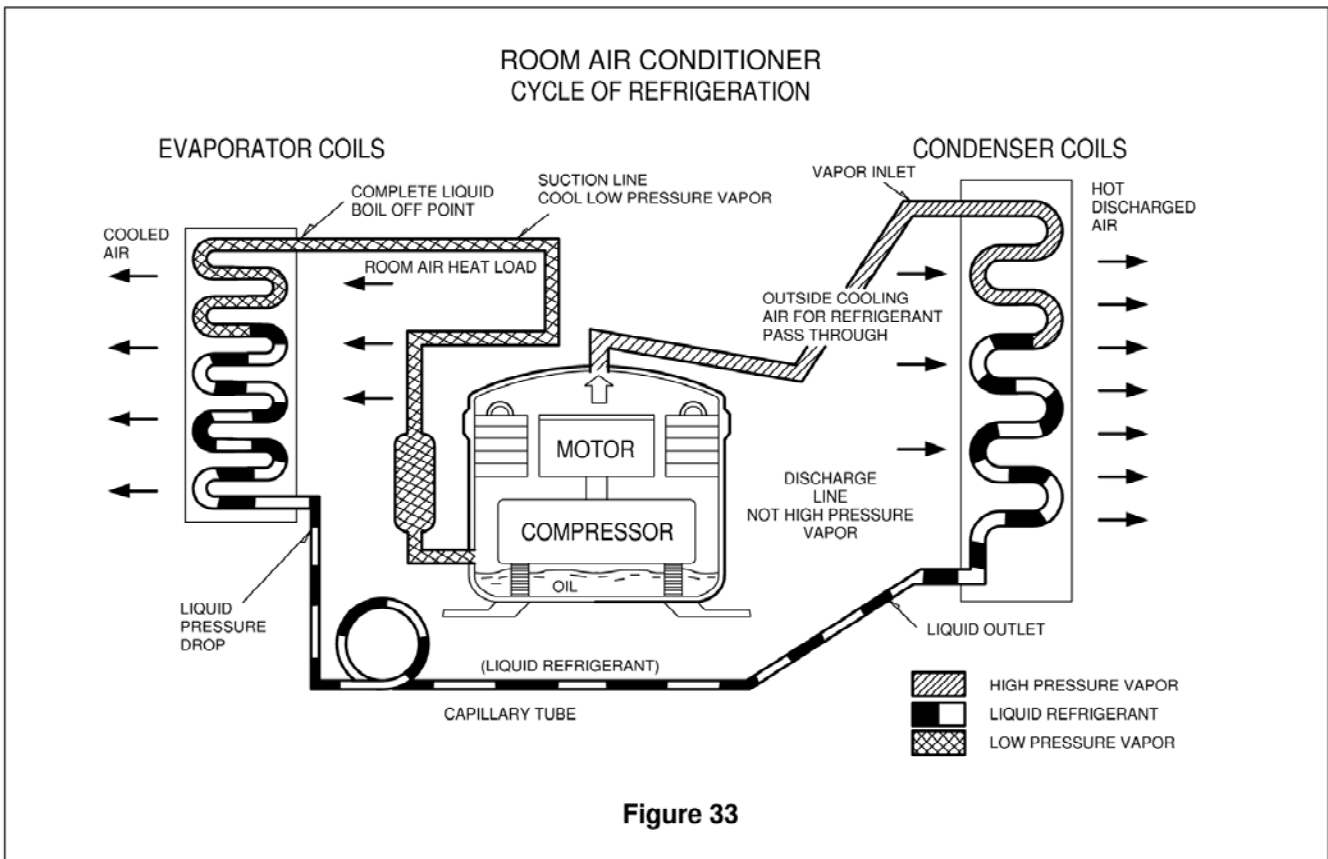
REF. NO	DESCRIPTION & NAME	Q'TY
1	POWER CORD ASSY	1
2	FAN MOTOR	1
3	COMPRESSOR	1
4	ROTARY SWITCH	1
5	THERMOSTAT	1
6	CAPACITOR	1
7	OVERLOAD PROTECTOR	1

# Troubleshooting Guide

## Piping System



Following is a brief description of the important components and their function in what is called the refrigeration system. Reference should be made to Figure 33 to follow the refrigerating cycle and the flow of the refrigerant in the cooling cycle.



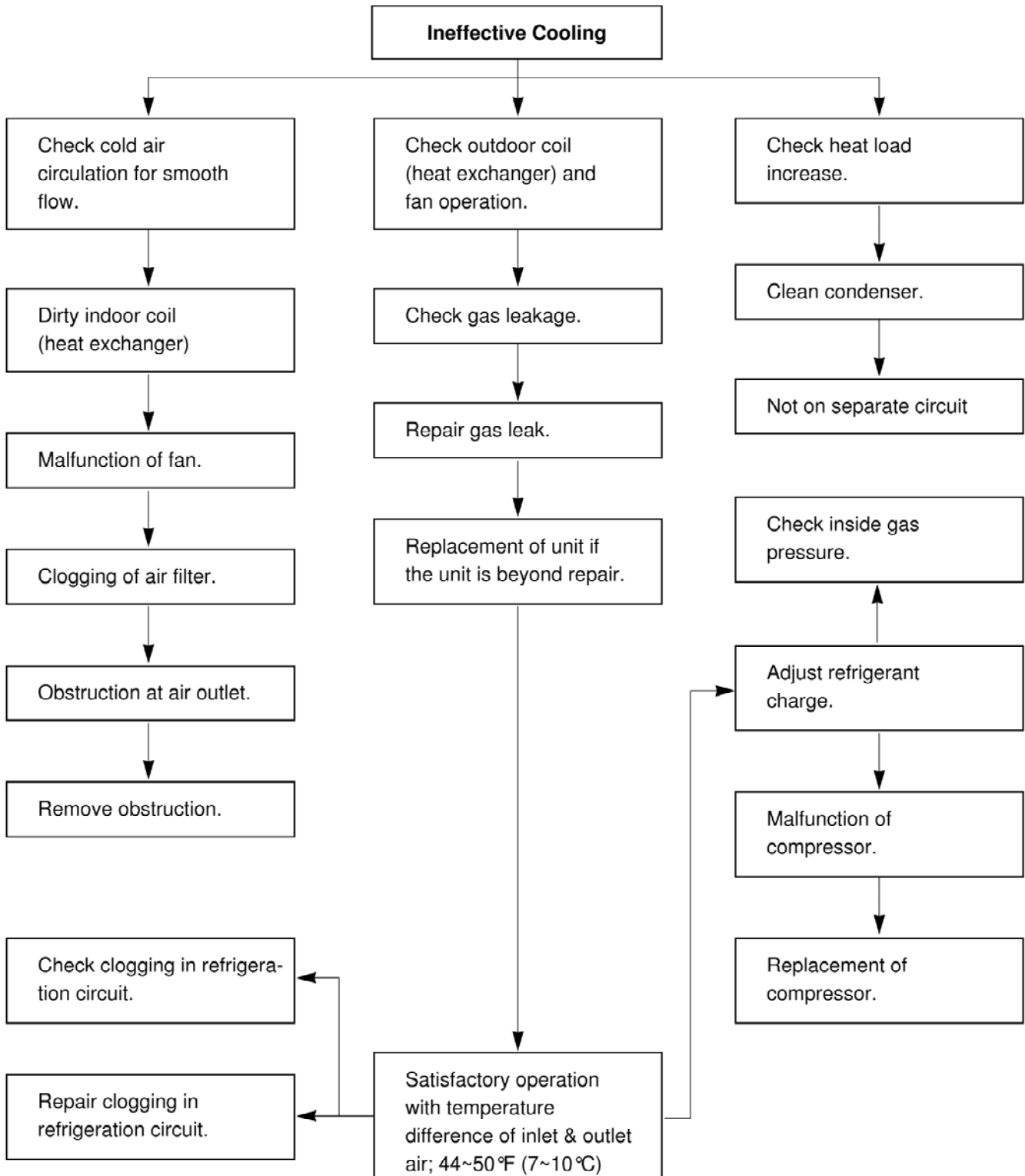


## Troubleshooting Guide

In general, possible trouble is classified in two kinds.

The one is called Starting Failure which is caused by an electrical defect. The other is Ineffective Air Conditioning caused by a defect in the refrigeration circuit and improper application.

### Unit is running but cooling is ineffective.





## Room Air Conditioner Voltage Limits

NAME PLATE RATING	MINIMUM	MAXIMUM
115V ± 10%	103.5V	126.5V
230V ± 10%	207V	253V

W051CA W061CA  
LA050MG LA060MG1

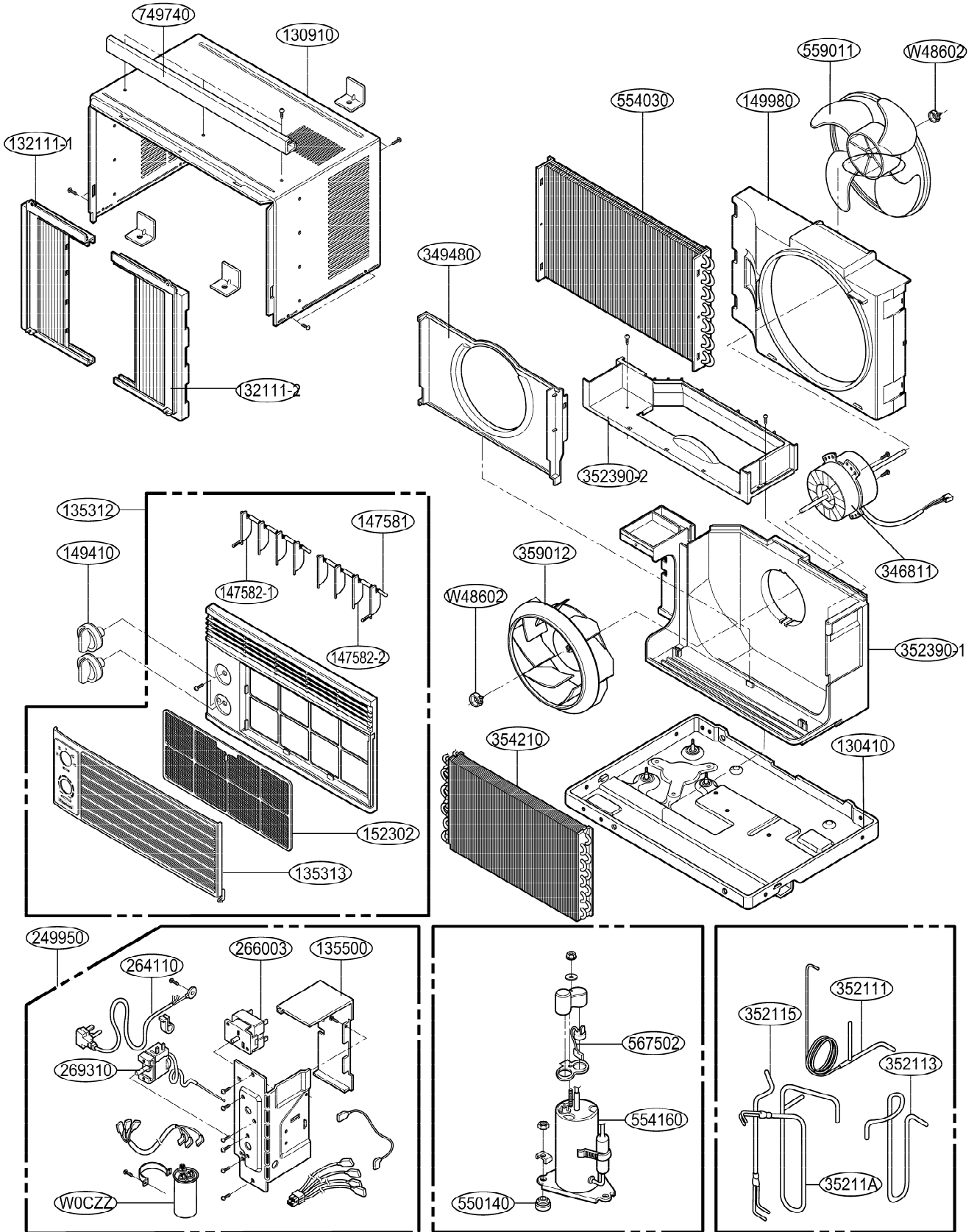
COMPLAINT	CAUSE	REMEDY
Fan motor will not run.	No power	Check voltage at outlet. Correct if none.
	Power supply cord	Check voltage to rotary switch. If none, check power supply cord. Replace cord if circuit is open.
	Rotary switch	Check switch continuity. Refer to wiring diagram for terminal identification. Replace switch if defective.
	Wire disconnected or connection loose	Connect wire. Refer to wiring diagram for terminal identification. Repair or replace loose terminal.
	Capacitor (Discharge capacitor before testing.)	Test capacitor. Replace if not within ±10% of manufacturer's rating. Replace if shorted, open, or damaged.
	Will not rotate	Fan blade hitting shroud or blower wheel hitting scroll. Re-align assembly.  Units using slinger ring condenser fans must have 0.22~0.25 inch clearance to the base. If necessary, shim up the bottom of the fan motor with mounting screw(s).  Check fan motor bearings; if motor shaft will not rotate, replace the motor.
Fan motor runs.	Revolves on overload	Check voltage. See limits on this page.  If not within limits, call an electrician.  Test capacitor. Check bearings. Does the fan blade rotate freely? If not, replace fan motor.  Pay attention to any change from high speed to low speed. If the speed does not change, replace the motor.

Troubleshooting Guide

COMPLAINT	CAUSE	REMEDY
Fan motor noise.	Fan	If cracked, out of balance, or partially missing, replace it.
	Blower	If cracked, out of balance, or partially missing, replace it.
	Loose set screw	Tighten it.
	Worn bearings	If knocking sounds continue when running or loose, replace the motor. If the motor hums or noise appears to be internal while running, replace motor.
Compressor will not run, fan motor runs.	Voltage	Check voltage. See the limits on the preceding page. If not within limits, call an electrician.
	Wiring	Check the wire connections; if loose, repair or replace the terminal. If the wires are disconnected, refer to wiring diagram for identification, and replace the wires. Check the wire connections; If not according to the wiring diagram, correct the connections.
	Rotary	Check for continuity, refer to the wiring diagram for terminal identification. Replace the switch if the circuit is open.
	Thermostat	Check the position of knob. If not at the coldest setting, advance the knob to this setting and restart the unit.
		Check the continuity of the thermostat. Replace the thermostat if the circuit is open.
	Capacitor (discharge capacitor before servicing.)	Check the capacitor. Replace if not within $\pm 10\%$ of manufacturer's rating, replace if shorted, open, or damaged.
	Compressor	Check the compressor for open circuit or ground. If open or grounded, replace the compressor.
	Overload	Check the compressor overload if externally mounted. Replace if open. (If the compressor temperature is high, remove the overload, cool, and retest.)
Compressor cycles on overload.	Voltage	Check the voltage. See the limits on the preceding page. If voltage is not within these limits, call an electrician.
	Overload	Check overload, if externally mounted. Replace if open. (If the compressor temperature is high, remove the overload, cool, and retest.)

COMPLAINT	CAUSE	REMEDY
Compressor cycles on overload.	Fan motor	If not running, determine the cause. Replace if required.
	Condenser air flow restriction	Remove the cabinet, inspect the interior surface of the condenser. If restricted, clean carefully with a vacuum cleaner (do not damage fins) or brush. Clean the interior base before re-assembling.
	Condenser fins (damaged)	If the condenser fins are closed over a large area on the coil surface, head pressures will increase, causing the compressor to cycle. Straighten the fins or replace the coil.
	Capacitor	Test the capacitor.
	Wiring	Check the terminals. If loose, repair or replace.
	Refrigeration system	Check the system for a restriction.
Insufficient cooling	Air filter	If restricted, clean or replace.
	Unit undersized	Determine if the unit is properly sized for the area to be cooled.
Excessive noise	Blower or fan	Check the set screw, or clamp. If loose or missing, correct. If the blower or fan is hitting scroll or barrier, rearrange the air handling parts.
	Copper tubing	Remove the cabinet and carefully rearrange the tubing not to contact the cabinet, compressor, shroud, and barrier.

# EXPLODED VIEW



# Replacement Parts List

LOCATION NO.	DESCRIPTION	P/NO			
		W051CA	LA050MG	LA060MG1	W061CA
130410	BaseAssembly, Weld	3041A20036N			
352390-1	GuideAssembly, Air	5239A30003G			
346811	MotorAssembly, AC, Outdoor	4681A10016C	4681A10016P		4681A10016D
552111	TubeAssembly, Capillary	5211A20743A	552111		AJR32996201
552101	TubeAssembly, Capillary	5211AR3332A	5211A21489A		5210A30018Y
359012	Fan, Turbo	5900A10005B			
W48602	Clamp, Spring	3H02932B			
554160	CompressorSet, Korea	2520UABC2JA	2520UCBA021	2520UCBA021	2520UCAA004
567502	OverloadProtect	6750UL050A	6750U3L011A	6750UL011A	6750UL004A
550140	Damper, Compressor	5040AR4195A	5040AR4195A	5040AR4195A	5040AR4195A
354210	EvaporatorAssembly, First	5421A10008C	5421A20016K		5421A20016L
35211A	TubeAssembly, Suction	5211A10062F	5211A10062G		5211A10062N
352115	TubeAssembly, Evaporator (In)	5211A10063A	5211A10063C		5211A10063E
149980	Shroud	4998AR1608A	4998A10025A		
559010	FanAssembly, Axial	5901A20011B			
554030	CondenserAssembly, First	5403AR6200K	5403A20038J		
349480	Orifice	4948A10016B			
352390-2	Guide, Air	5238A20013B	5238A20013A		
249950	CaseAssembly, Control	4995AR6202P	4995A21015C		4995AR6202P
135500	Cover	3550A20026B			
266003	Switch, Rotary	2H00154H			
269310	ThermostatAssembly	2H01109X			
W0CZZ	Capacitor, Film, Box	0CZZA20005B	0CZZA20015A		0CZZA20005B
264110	PowerCord	2H00677P	2H00677G		2H00677P
135312	GrilleAssembly, Front	3531A10130C	3531A10130P		3531A10130C
135313	GrilleAssembly, Inlet	3530AR1616A			
159900-2	Louver, Vertical	5990AR3190A	5990AR3190C		5990AR3190A
159900-1	Louver, Vertical	5990AR3190B	5990AR3190D		5990AR3190B
152302	Filter, Air	5231AR2148A			
149410	KnobAssembly	4941AR7315A			
130910	CabinetAssembly, Single	3091AR6055Y			

