

This Owner's Manual is provided and hosted by [Appliance Factory Parts](#).



# WHIRLPOOL GH7155XHS Owner's Manual

[Shop genuine replacement parts for WHIRLPOOL  
GH7155XHS](#)



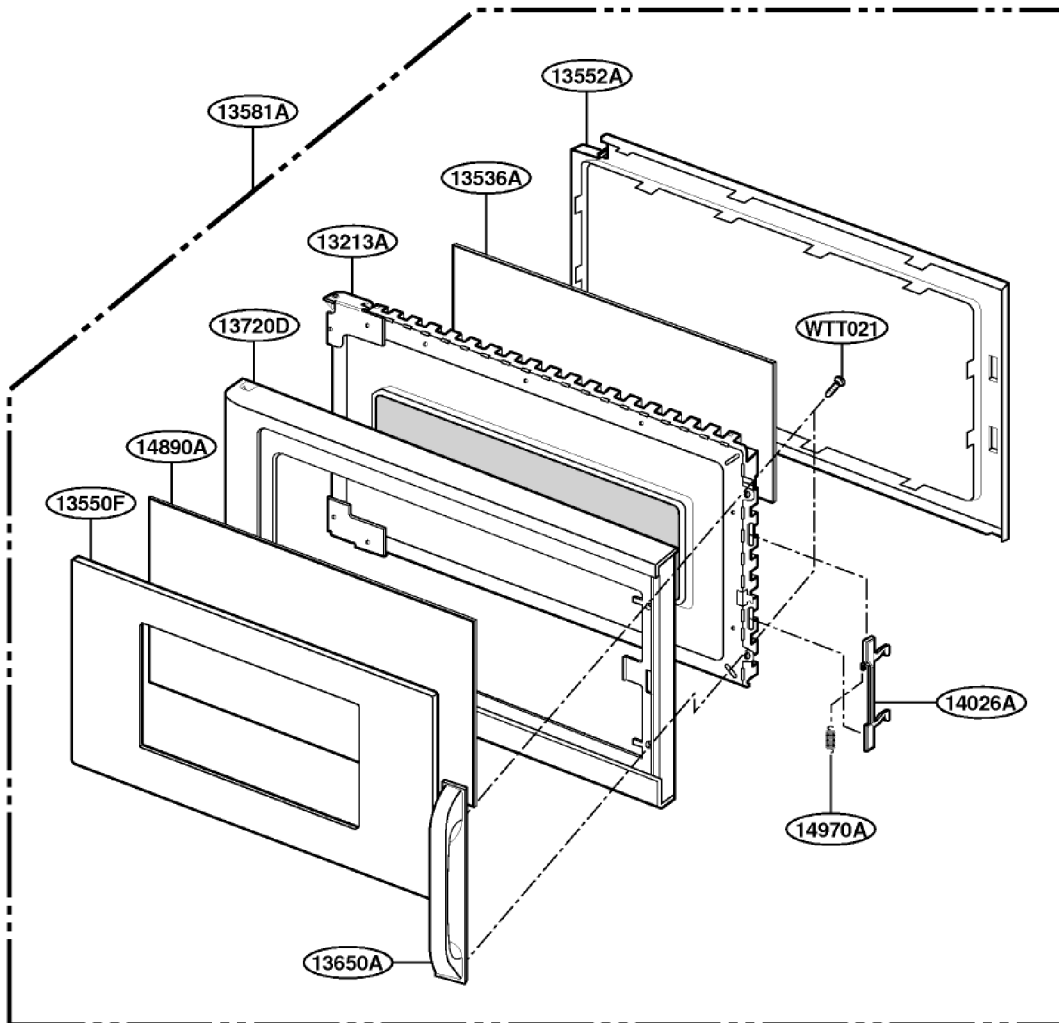
[Find Your WHIRLPOOL Microwave Parts - Select From 1350 Models](#)

----- Manual continues below -----

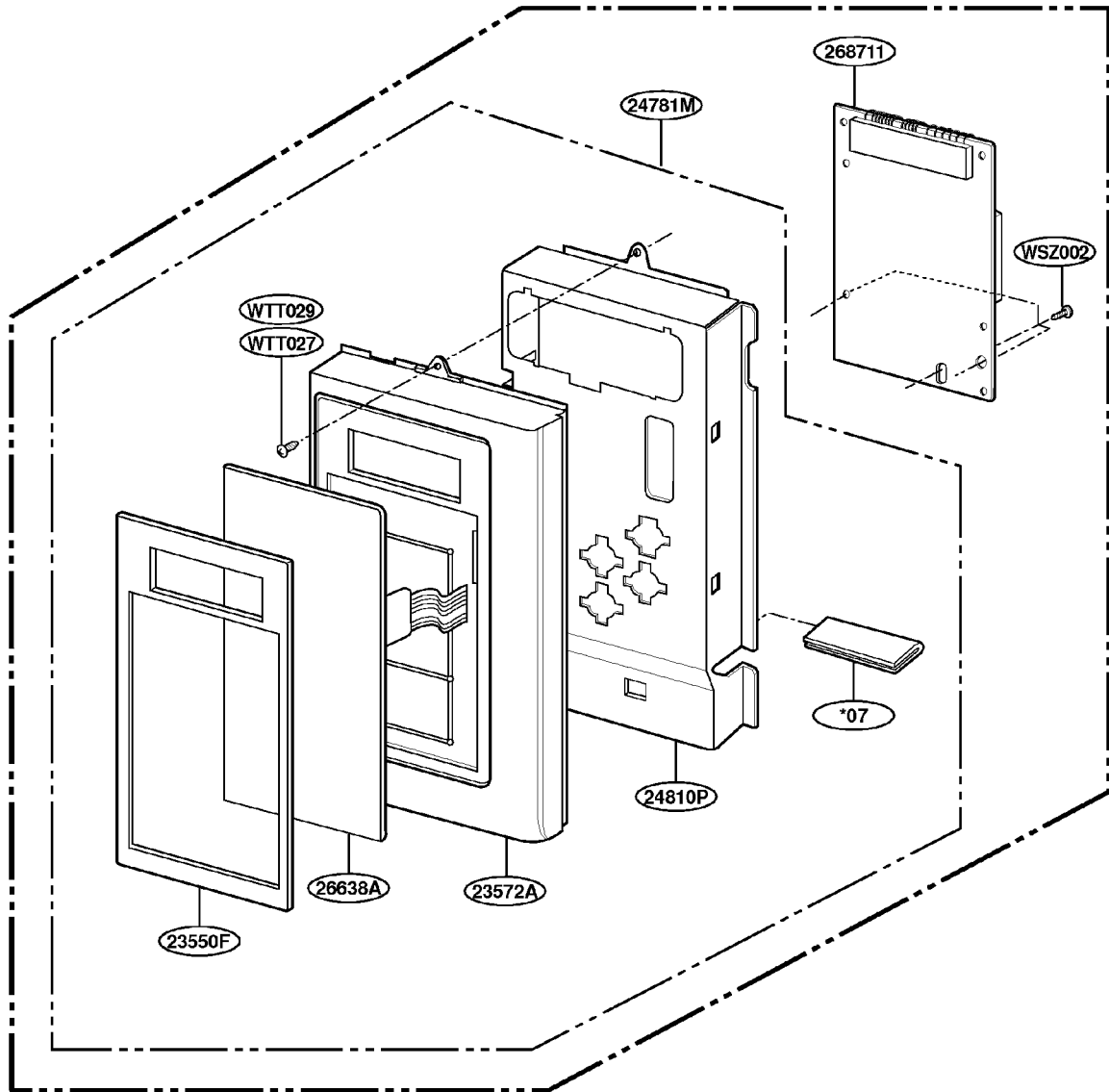
# EXPLODED VIEW

MODEL : GH7155XHS

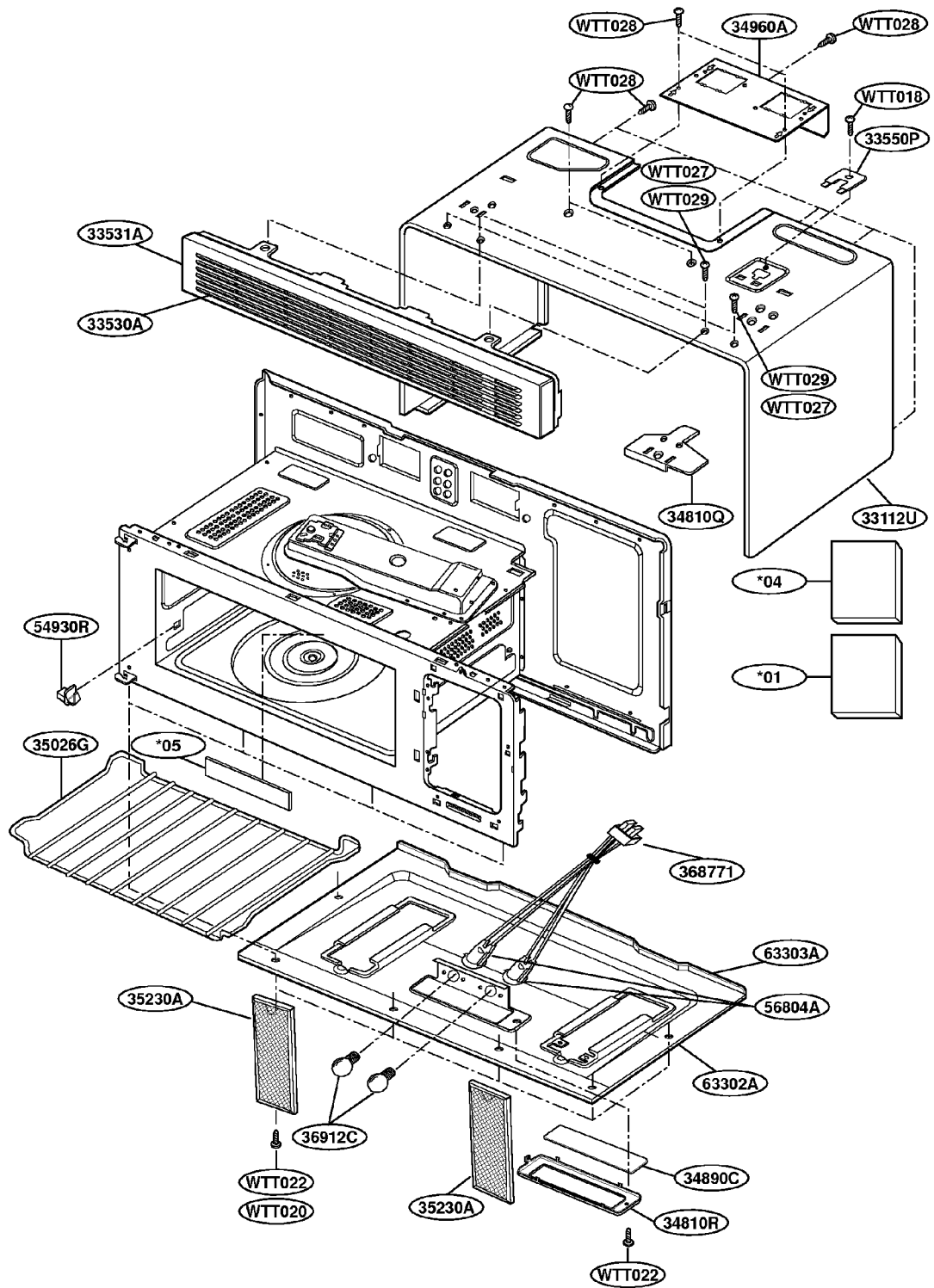
## DOOR PARTS



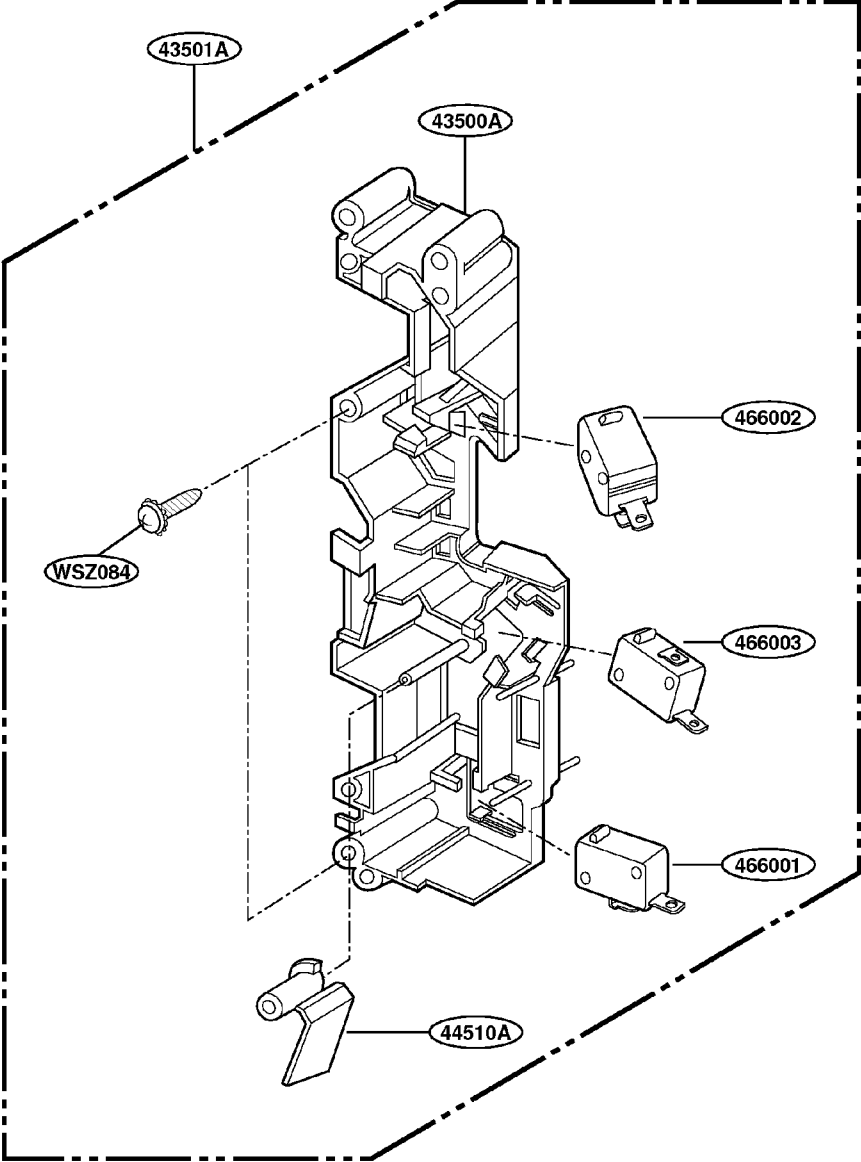
# CONTROLLER PARTS



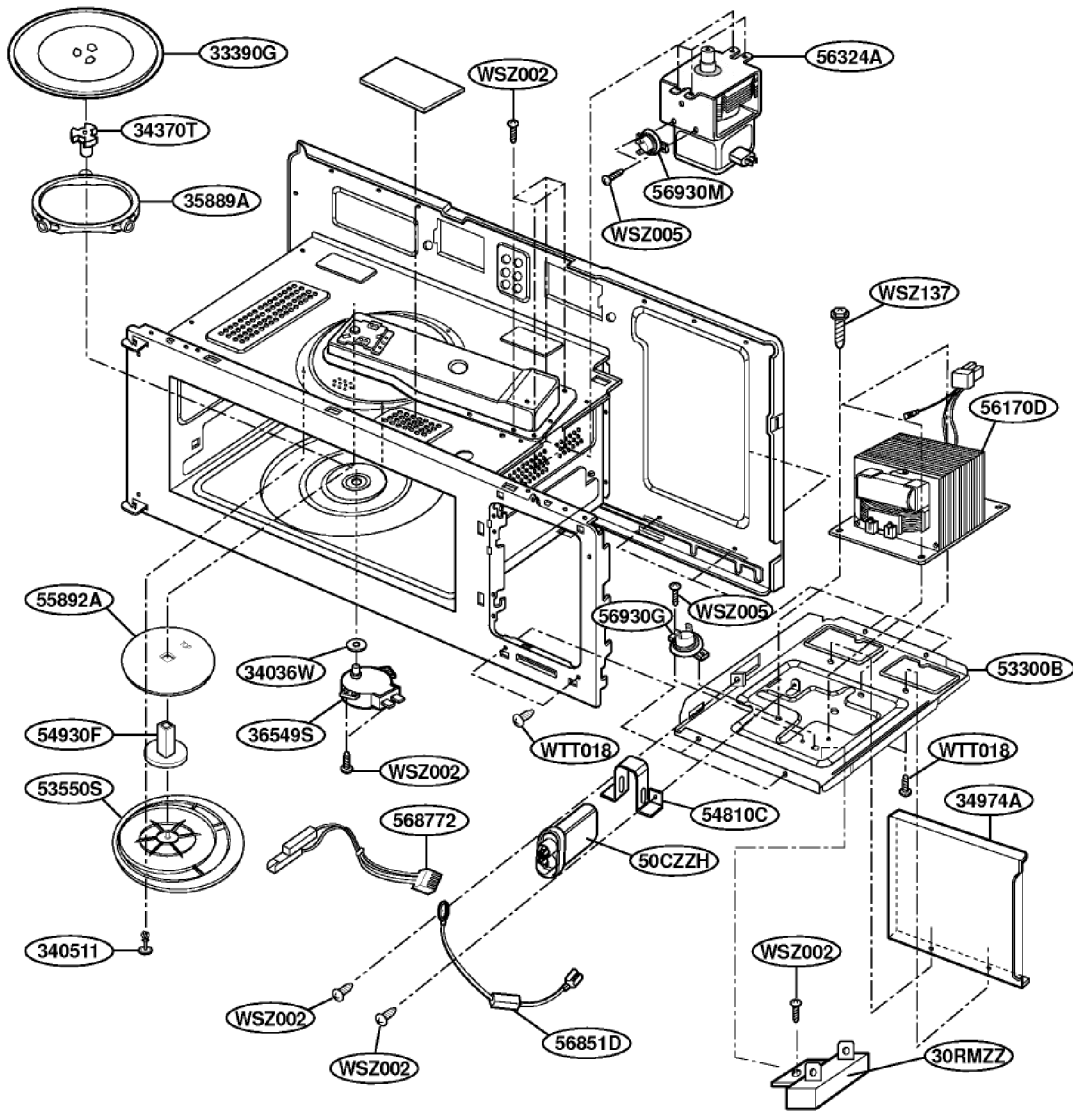
# OVEN CAVITY PARTS



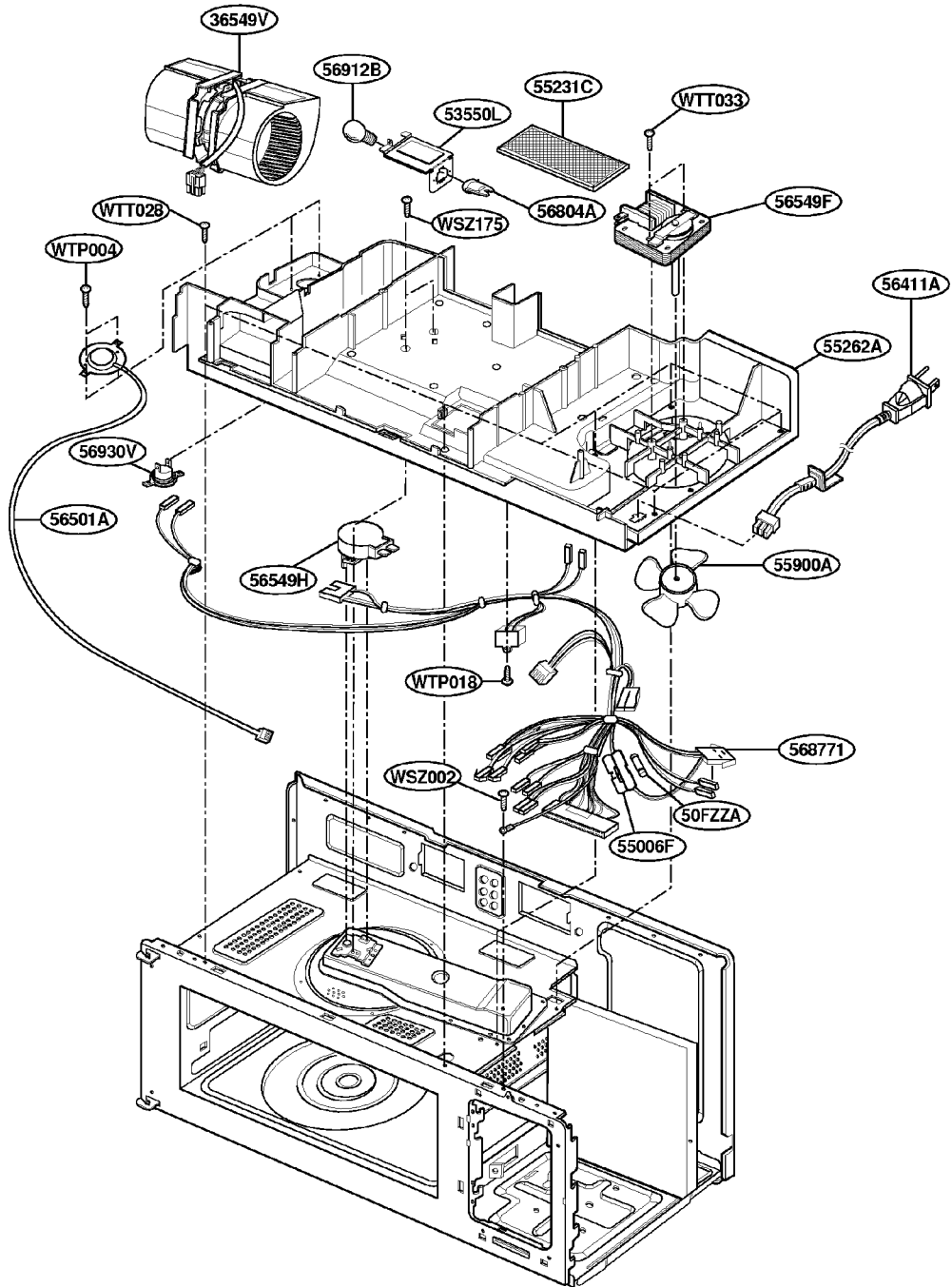
# LATCH BOARD PARTS



# INTERIOR PARTS (I)



# INTERIOR PARTS (II)



# INSTALLATION PARTS

