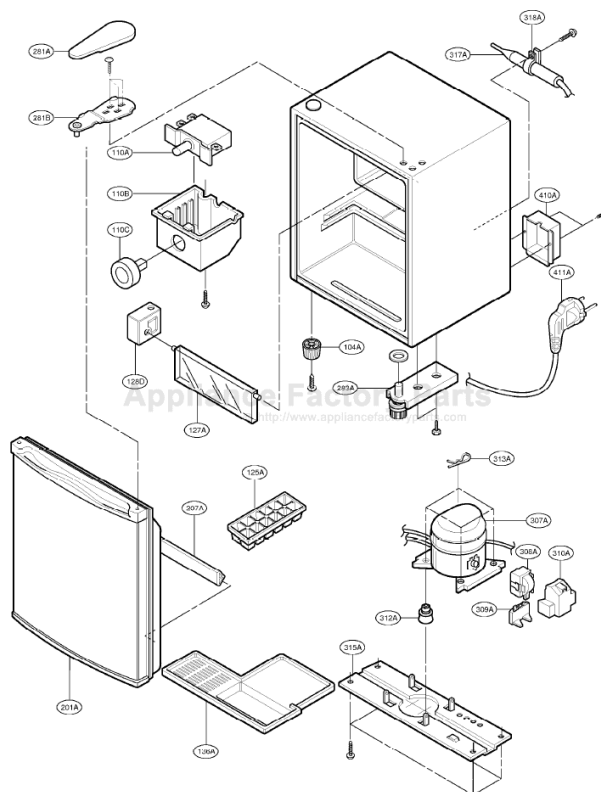


This Owner's Manual is provided and hosted by Appliance Factory Parts.



LG GR-051 Owner's Manual

[Shop genuine replacement parts for LG GR-051](#)



NOTE : The shape of parts are subject to change in different localities.

[Find Your LG Refrigerator Parts - Select From 834 Models](#)

----- Manual continues below -----

2000.03.13 100/70

