

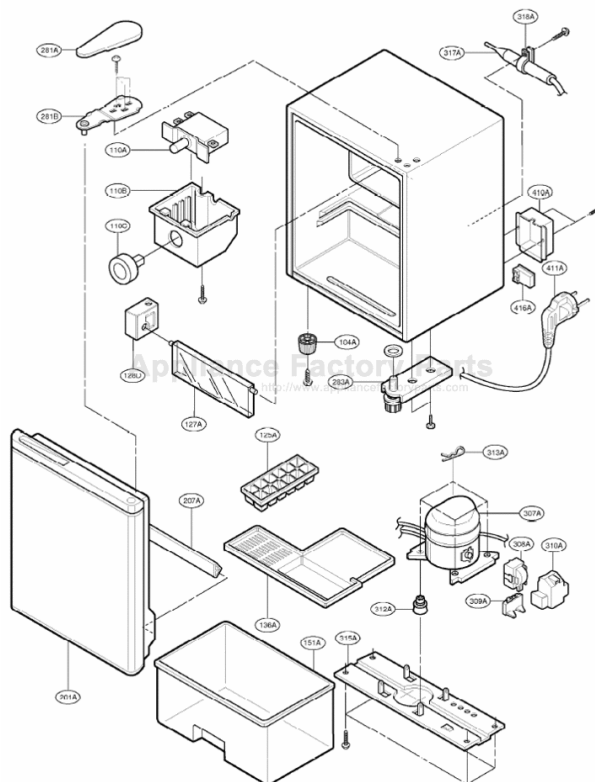
This Owner's Manual is provided and hosted by [Appliance Factory Parts](http://ApplianceFactoryParts.com).



GOLDSTAR GR-051G Owner's Manual

**Shop genuine replacement parts for GOLDSTAR
GR-051G**

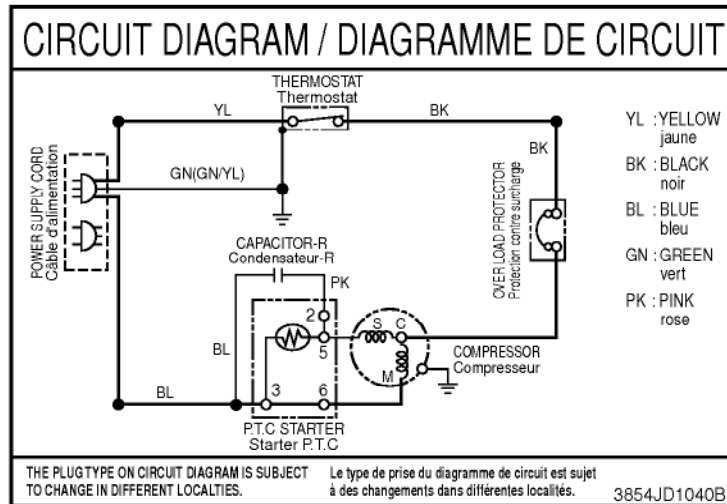
NOTE: 1. The shape of parts are subject to change in different localities.



Find Your GOLDSTAR Refrigerator Parts - Select From 10 Models

----- Manual continues below -----

4. CIRCUIT DIAGRAM



NOTE : These are basic circuit diagram and the specifications vary in different localities.