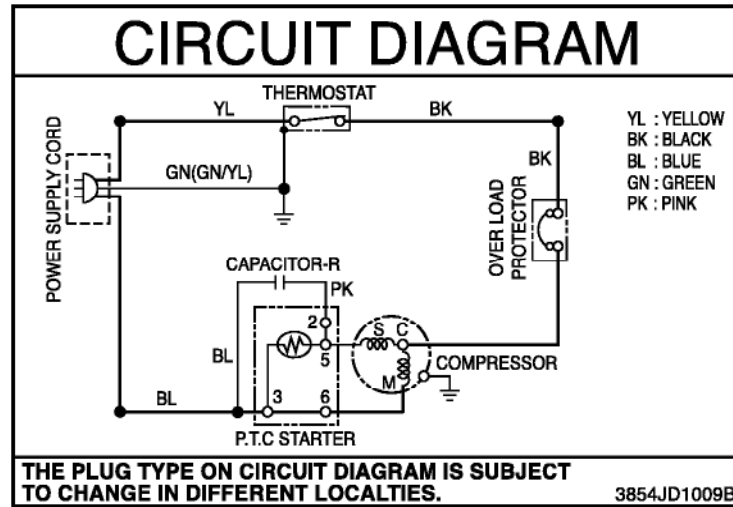


4. CIRCUIT DIAGRAM



NOTE: This is a basic circuit diagram. The specifications vary in different localities.