

This Owner's Manual is provided and hosted by [Appliance Factory Parts](http://www.appliancefactoryparts.com).

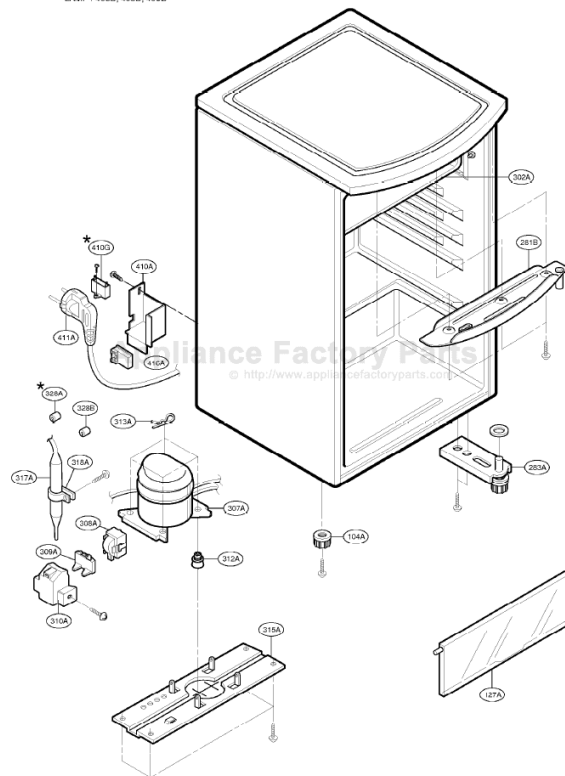


# LG GR-151RB Owner's Manual

**[Shop genuine replacement parts for LG GR-151RB](#)**

NOTE: 1. The shape of parts are subject to change in different localities.  
2. ★: optional parts

- GLASS, COVER-TV : 149B  
- STEEL, COVER-TV : 136C, 149A  
- LAMP : 406B, 408B, 409B



**[Find Your LG Refrigerator Parts - Select From 834 Models](#)**

----- Manual continues below -----

2000.03.31 100/70

