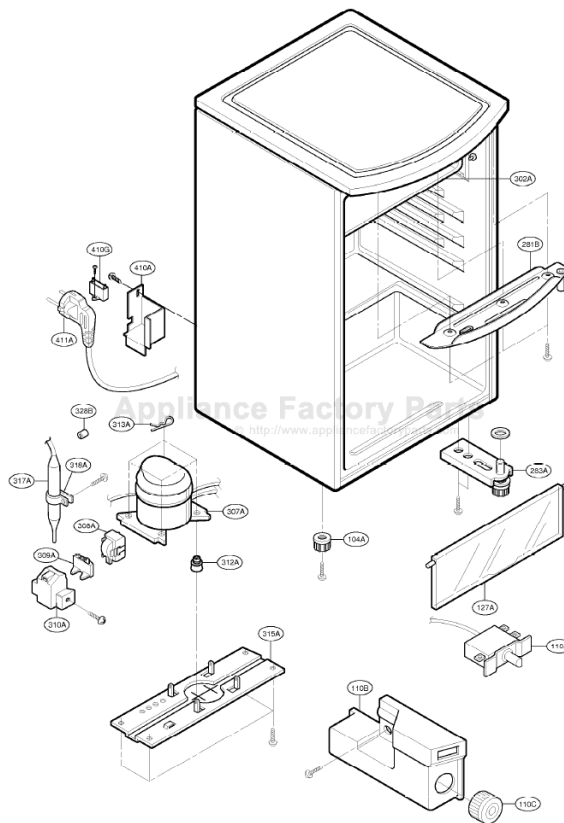


This Owner's Manual is provided and hosted by [Appliance Factory Parts](#).



# LG GR-151RCW Owner's Manual

[Shop genuine replacement parts for LG GR-151RCW](#)



[Find Your LG Refrigerator Parts - Select From 834 Models](#)

----- Manual continues below -----

2000.03.31 100/70

