

This Owner's Manual is provided and hosted by [Appliance Factory Parts](#).



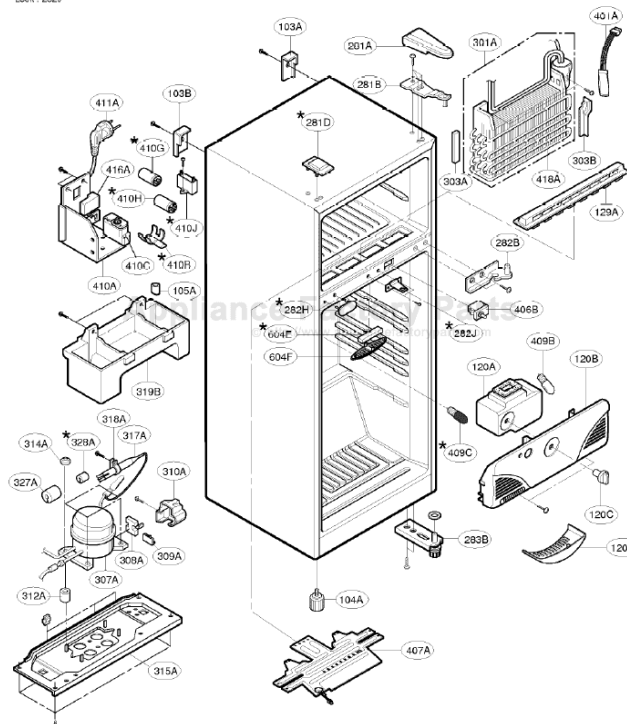
LG GR-282R Owner's Manual

[Shop genuine replacement parts for LG GR-282R](#)

7-2 Ref.: GR-282

*: optional parts

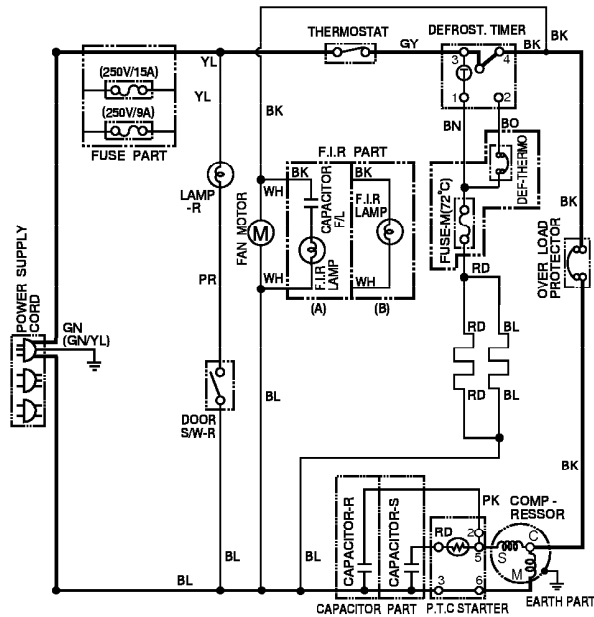
Reversible Door: 281D, 282H
FIR Lamp: 409C, 410J
Deodorizer: 504E
Steel Shelves: 135A, 136C, 136E
Plastic Shelves: 149A, 149B, 149C
Lock: 282J



[Find Your LG Refrigerator Parts - Select From 834 Models](#)

----- Manual continues below -----

CIRCUIT DIAGRAM



• FUSE & F.I.R SPECIFICATION

ITEM	RATING	100V ~ 127V	200V ~ 240V
		NON FUSE	/
FUSE		250V 15A	250V 9A
F.I.R		(B)	(A)

- F.I.R PART CAN BE APPLIED BY THE REQUEST OF BUYERS.
- CAPACITORS, THE PLUG TYPE, AND COMP' EARTH PART ON CIRCUIT DIAGRAM ARE SUBJECT TO CHANGE IN DIFFERENT LOCALITIES.

WH : WHITE BL : BLUE RD : RED PK : PINK
 BK : BLACK BN : BROWN PR : PURPLE YL : YELLOW
 BO : BRIGHT ORANGE GY : GRAY GN : GREEN

3854JD1014F