

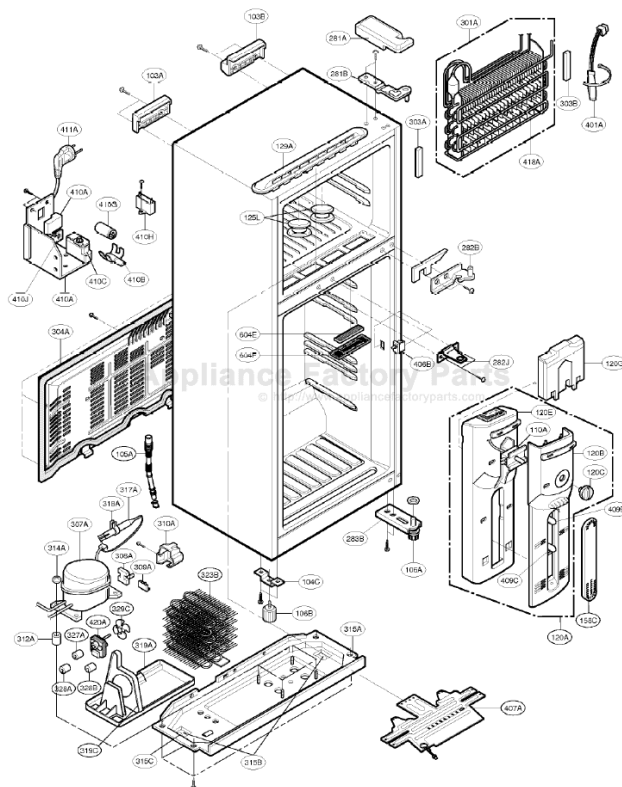
This Owner's Manual is provided and hosted by [Appliance Factory Parts](#).



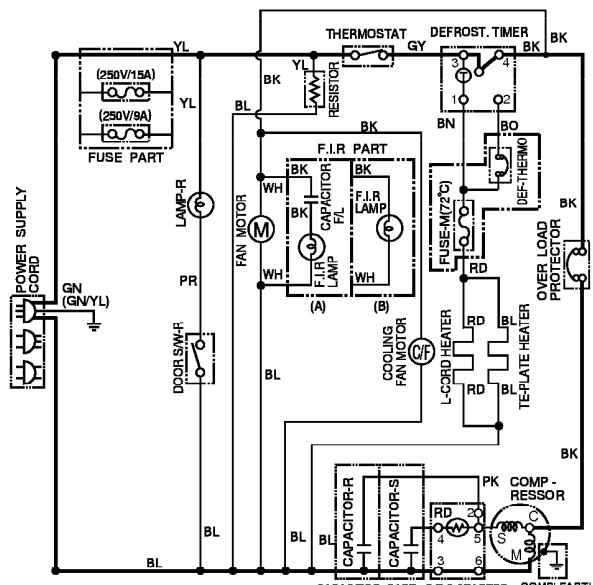
LG GR-332R Owner's Manual

[Shop genuine replacement parts for LG GR-332R](#)

▼ The parts of refrigerator and the shape of each part are subject to change in different localities.
▼ Capacitors and fuse are optional parts.



CIRCUIT DIAGRAM



• FUSE & F.I.R SPECIFICATION

ITEM	RATING	100V ~ 127V	200V ~ 240V
NON FUSE		/	
FUSE		250V 15A	250V 9A
F.I.R		(D)	(A)

• F.I.R LAMP'S CAPACITOR SPECIFICATION

F.I.R CAPACITOR	220V ~ 240V
	50Hz 300VAC 0.33uF
	60Hz 300VAC 0.27uF

CAPACITOR PART P.T.C STARTER COMP EARTH

- F.I.R PART CAN BE APPLIED BY THE REQUEST OF BUYERS.
- CAPACITORS, THE PLUG TYPE, AND COMP' EARTH PART ON CIRCUIT DIAGRAM ARE SUBJECT TO CHANGE IN DIFFERENT LOCALITIES.
- IF THERE IS NO CAPACITOR-S, CIRCUIT BETWEEN TERMINAL 3 AND 4 OF P.T.C STARTER PART WILL BE SHORT INTERNALLY.

WH : WHITE BL : BLUE RD : RED PK : PINK
 BK : BLACK BN : BROWN PR : PURPLE YL : YELLOW
 BO : BRIGHT ORANGE GY : GRAY GN : GREEN

3854JD1020B