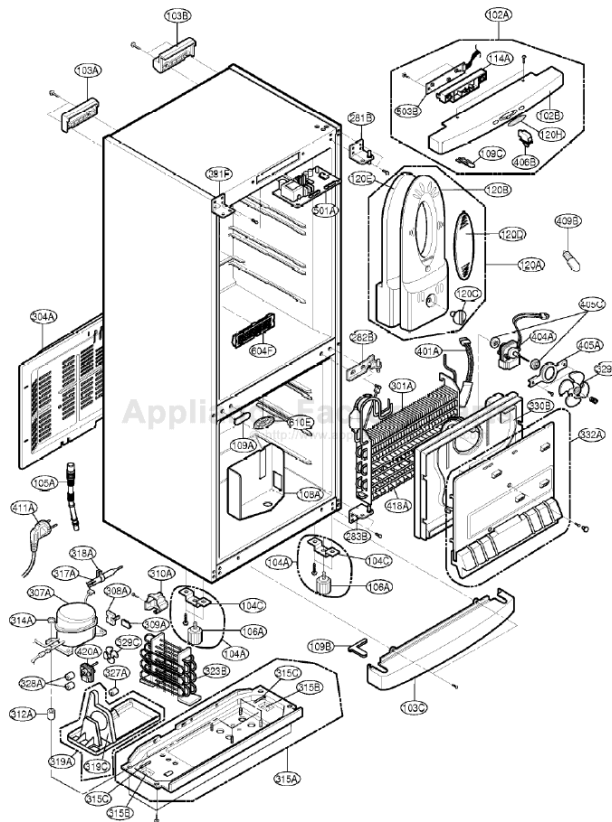


This Owner's Manual is provided and hosted by [Appliance Factory Parts](#).



LG GR-349R Owner's Manual

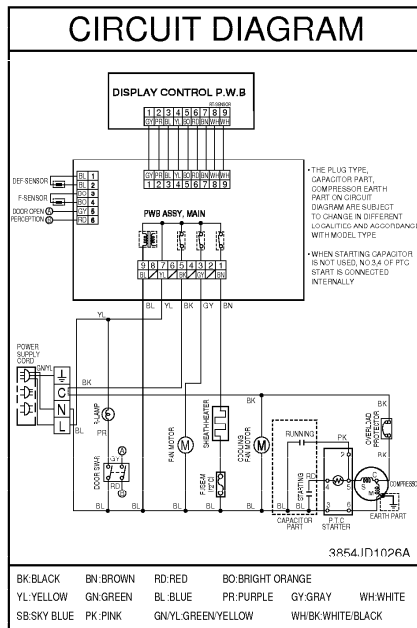
[Shop genuine replacement parts for LG GR-349R](#)



[Find Your LG Refrigerator Parts - Select From 834 Models](#)

----- Manual continues below -----

CIRCUIT DIAGRAM



NOTE : 1. This is a basic diagram and specifications vary in different localities.