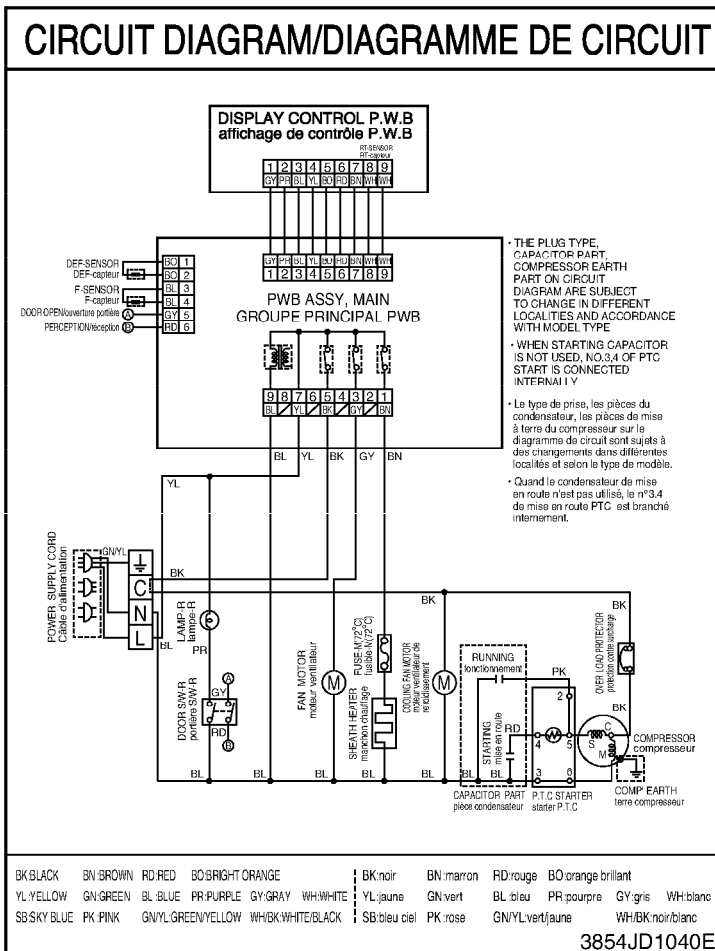


CIRCUIT DIAGRAM/DIAGRAMME DE CIRCUIT



BK:BLACK	BN:BROWN	RD:RED	BO:BRIGHT ORANGE	BK: noir	BN: marron	RD: rouge	BO: orange brillant
YL:YELLOW	GN:GREEN	BL:BLUE	PR:PURPLE	GY:GRAY	WH:WHITE	YL: jaune	GN: vert
SB:SKY BLUE	PK:PINK	GN:YL:GREEN/YELLOW	WH:BK:WHITE/BLACK	SB:bleu ciel	PK:rose	GN:YL:vert/jaune	WH:BK: noir/blanc