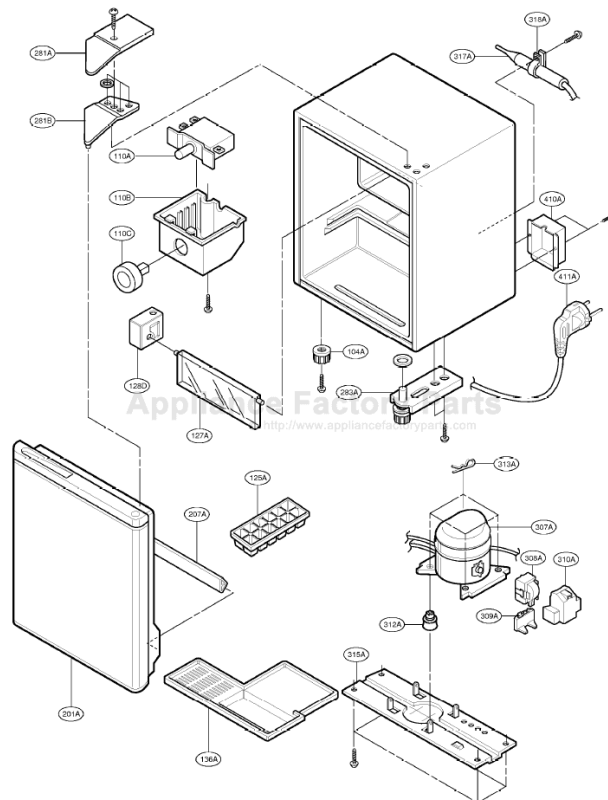


This Owner's Manual is provided and hosted by [Appliance Factory Parts](http://www.appliancefactoryparts.com).



LG GR051WS Owner's Manual

[Shop genuine replacement parts for LG GR051WS](http://www.appliancefactoryparts.com)

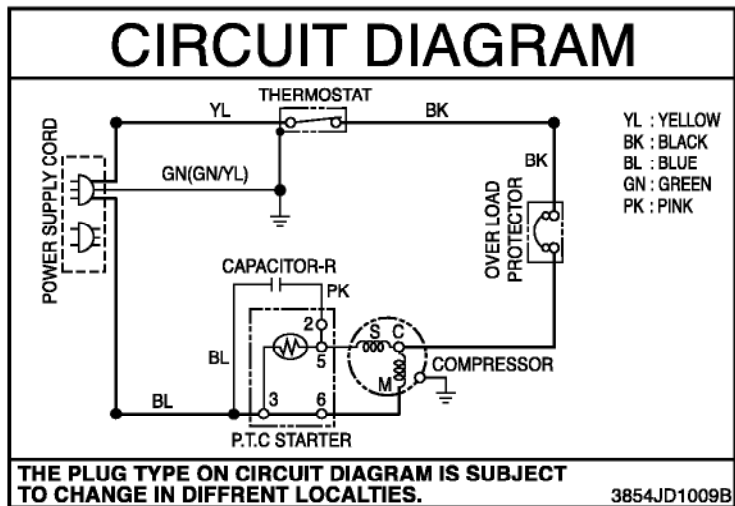


NOTE : The shape of parts are subject to change in different localities.

[Find Your LG Refrigerator Parts - Select From 834 Models](http://www.appliancefactoryparts.com)

----- Manual continues below -----

4. CIRCUIT DIAGRAM



NOTE : These are basic circuit diagram and the specifications vary in different localities.