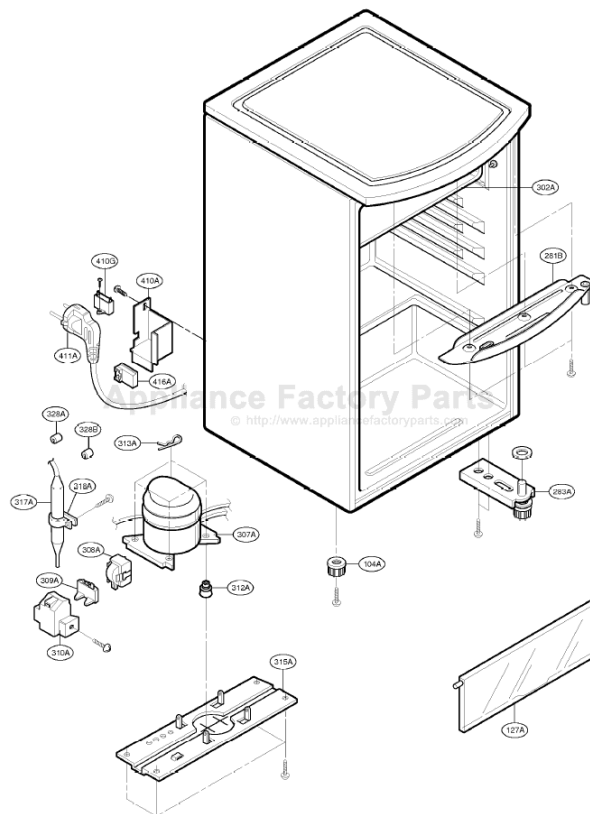


This Owner's Manual is provided and hosted by [Appliance Factory Parts](http://www.appliancefactoryparts.com).



# LG GR151WS Owner's Manual

[Shop genuine replacement parts for LG GR151WS](#)

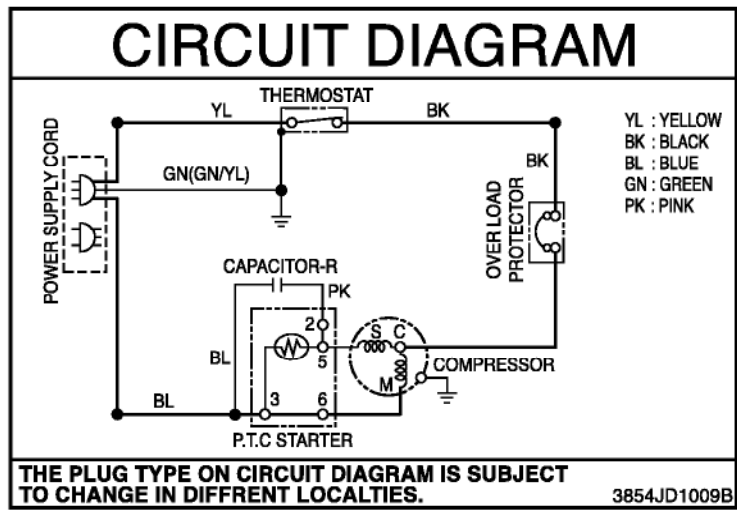


[Find Your LG Refrigerator Parts - Select From 834 Models](#)

----- Manual continues below -----

# 4. CIRCUIT DIAGRAM

---



**NOTE:** Lamp is option part.