

This Owner's Manual is provided and hosted by [Appliance Factory Parts](#).

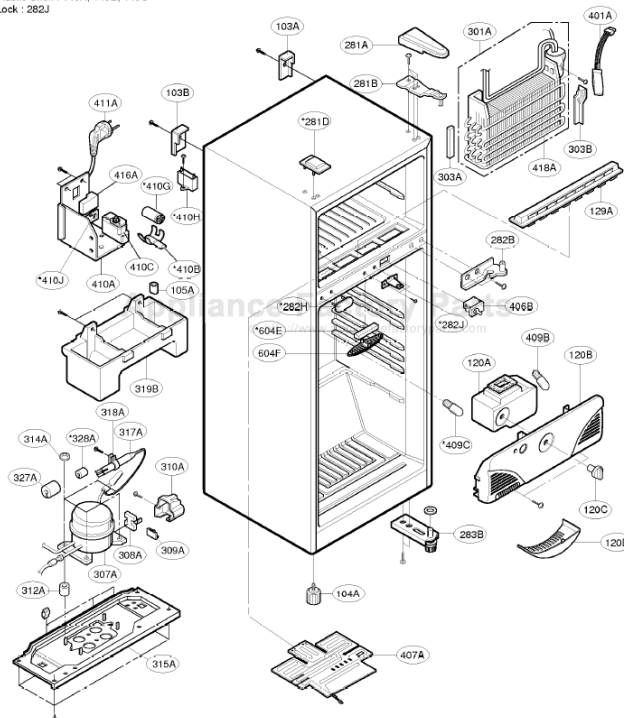


# LG GR282MF Owner's Manual

[Shop genuine replacement parts for LG GR282MF](#)

## 7-2 GR-282

\* Option  
Reversible Door : 281D, 282H  
FIR Lamp : 409C  
Deodorizer : 604E  
Steel Shelf : 136A, 136C, 136E  
Plastic Shelf : 149A, 149B, 149C  
Lock : 282J



[Find Your LG Refrigerator Parts - Select From 834 Models](#)

----- Manual continues below -----

# 1. SPECIFICATIONS

## 1-1 GR-242M / MV / S / SV

ITEMS		SPECIFICATIONS	ITEMS		SPECIFICATIONS
NET CAPACITY (S-1)	FREEZER	60 ℓ	SHELF	FREEZER	1 EA
	REFRIGERATOR	140 ℓ		REFRIGERATOR	2 EA
	TOTAL	200 ℓ	VEGETABLE TRAY	1 EA	
DIMENSIONS (mm)		540(W)×607(D)×1407(H)	EGG TRAY	1 EA	
NET WEIGHT (kg)		46	ICE TRAY	1 Pieces(PLASTIC)	
COOLING SYSTEM		Fan Cooling	ICE BANK	1 Piece	
TEMPERATURE CONTROL		Knob Dial	COMPRESSOR	P.T.C Starting Type	
DEFROSTING	Full Automatic		EVAPORATOR	Fin Tube Type	
	Heater Defrost		CONDENSER	Pipe on Sheet Type	
	With a Timer		REFRIGERANT	R-12 (140g)	
OUT CASE		Coated Steel Sheet	LUBRICATING OIL	HTS-95 (210cc)	
INNER CASE		A B S			
INSULATION		Polyurethane Foam			

## 1-2 GR-282M / MV / S / SV

ITEMS		SPECIFICATIONS	ITEMS		SPECIFICATIONS
NET CAPACITY (S-1)	FREEZER	60 ℓ	SHELF	FREEZER	1 EA
	REFRIGERATOR	170 ℓ		REFRIGERATOR	3 EA
	TOTAL	230 ℓ	VEGETABLE TRAY	1 EA	
DIMENSIONS (mm)		540(W)×607(D)×1553(H)	EGG TRAY	1 EA	
NET WEIGHT (kg)		48	ICE TRAY	1 Pieces(PLASTIC)	
COOLING SYSTEM		Fan Cooling	ICE BANK	1 Piece	
TEMPERATURE CONTROL		Knob Dial	COMPRESSOR	P.T.C Starting Type	
DEFROSTING	Full Automatic		EVAPORATOR	Fin Tube Type	
	Heater Defrost		CONDENSER	Pipe on Sheet Type	
	With a Timer		REFRIGERANT	R-12 (140g)	
OUT CASE		Coated Steel Sheet	LUBRICATING OIL	HTS-95 (210cc)	
INNER CASE		A B S			
INSULATION		Polyurethane Foam			

### 1-3 GR-242MF / MVF / SF / SVF

ITEMS		SPECIFICATIONS	ITEMS		SPECIFICATIONS
NET CAPACITY (S-1)	FREEZER	60 ℓ	SHELF	FREEZER	1 EA
	REFRIGERATOR	140 ℓ		REFRIGERATOR	2 EA
	TOTAL	200 ℓ	VEGETABLE TRAY		1 EA
DIMENSIONS (mm)		540(W)×607(D)×1407(H)	EGG TRAY		1 EA
NET WEIGHT (kg)		46	ICE TRAY		1 Pieces(PLASTIC)
COOLING SYSTEM		Fan Cooling	ICE BANK		1 Piece
TEMPERATURE CONTROL		Knob Dial	COMPRESSOR		P.T.C Starting Type
DEFROSTING	Full Automatic		EVAPORATOR		Fin Tube Type
	Heater Defrost		CONDENSER		Pipe on Sheet Type
	With a Timer		REFRIGERANT		R-134a (120g)
OUT CASE		Coated Steel Sheet	LUBRICATING OIL		FREOL <del>¥22</del> G (210cc)
INNER CASE		A B S			
INSULATION		Polyurethane Foam			

### 1-4 GR-282MF / MVF / SF / SVF

ITEMS		SPECIFICATIONS	ITEMS		SPECIFICATIONS
NET CAPACITY (S-1)	FREEZER	60 ℓ	SHELF	FREEZER	1 EA
	REFRIGERATOR	170 ℓ		REFRIGERATOR	3 EA
	TOTAL	230 ℓ	VEGETABLE TRAY		1 EA
DIMENSIONS (mm)		540(W)×607(D)×1553(H)	EGG TRAY		1 EA
NET WEIGHT (kg)		48	ICE TRAY		1 Pieces(PLASTIC)
COOLING SYSTEM		Fan Cooling	ICE BANK		1 Piece
TEMPERATURE CONTROL		Knob Dial	COMPRESSOR		P.T.C Starting Type
DEFROSTING	Full Automatic		EVAPORATOR		Fin Tube Type
	Heater Defrost		CONDENSER		Pipe on Sheet Type
	With a Timer		REFRIGERANT		R-134a (120g)
OUT CASE		Coated Steel Sheet	LUBRICATING OIL		FREOL <del>¥22</del> G (210cc)
INNER CASE		A B S			
INSULATION		Polyurethane Foam			