

This Owner's Manual is provided and hosted by [Appliance Factory Parts](#).

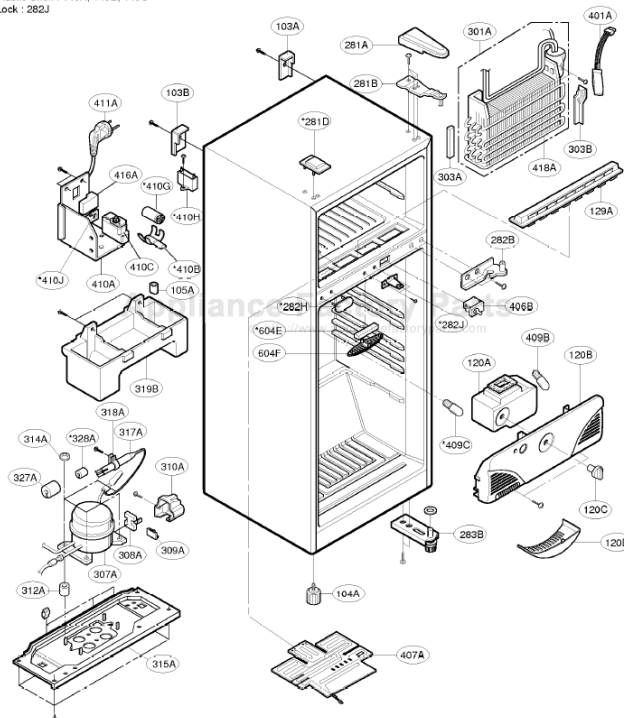


LG GR282MF Owner's Manual

[Shop genuine replacement parts for LG GR282MF](#)

7-2 GR-282

* Option
Reversible Door : 281D, 282H
FIR Lamp : 409C
Deodorizer : 604E
Steel Shelf : 136A, 136C, 136E
Plastic Shelf : 149A, 149B, 149C
Lock : 282J



[Find Your LG Refrigerator Parts - Select From 834 Models](#)

----- Manual continues below -----

4-3 OLP (OVER LOAD PROTECTOR)

4-3-1 Definition of OLP

- (1) OLP (OVER LOAD PROTECTOR) is attached to Hermetic Compressor and protects Motor by cutting off current in Compressor Motor by Bimetal in the OLP in case of over-rising temperature.
- (2) When over-voltage flows to Compressor motor, Bimetal works by heating the heater inside OLP, and OLP protects Motor by cutting off current which flows to Compressor Motor.

4-3-2 Role of OLP

- (1) OLP is attached to Hermetic Compressor used to Refrigerator and Show Case and prevents Motor Coil from being started in the Compressor.
- (2) Do not turn the Adjust Screw of OLP in any way for normal operation of OLP.
(Composition and connection Diagram of OLP)

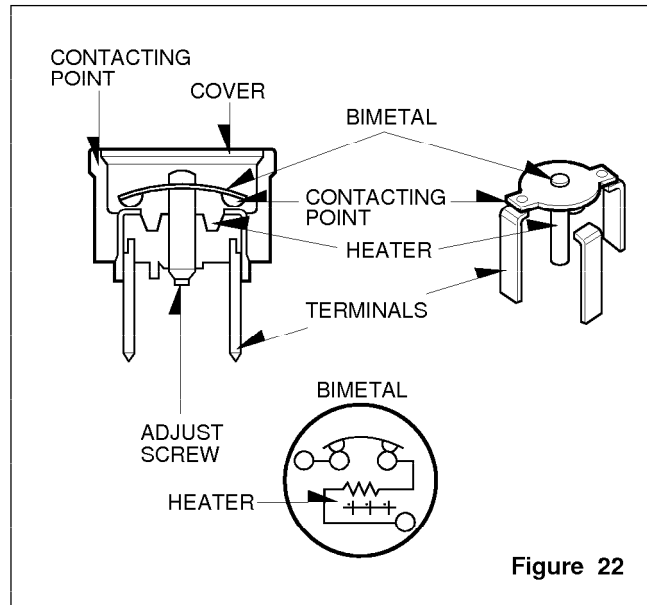
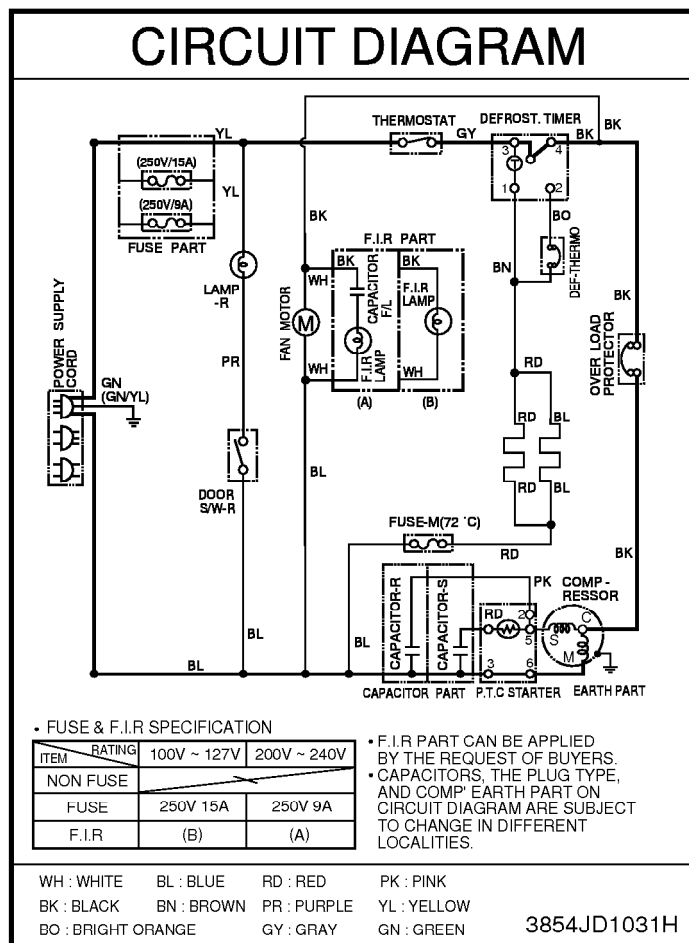


Figure 22

5. CIRCUIT DIAGRAM



- NOTE :** 1. This is a basic diagram and specifications vary in different localities.
 2. F.I.R. lamp and capacitor are option parts.