

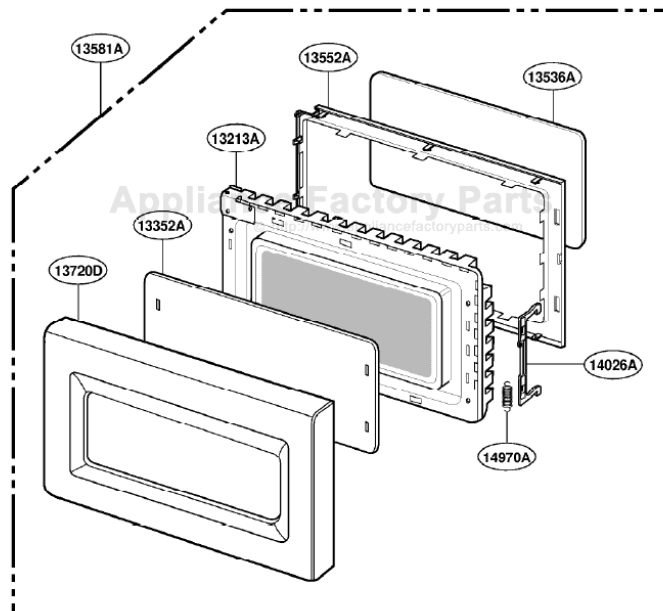
This Owner's Manual is provided and hosted by [Appliance Factory Parts](#).



# WHIRLPOOL GT1195SHZ1 Owner's Manual

[Shop genuine replacement parts for WHIRLPOOL  
GT1195SHZ1](#)

## DOOR PARTS

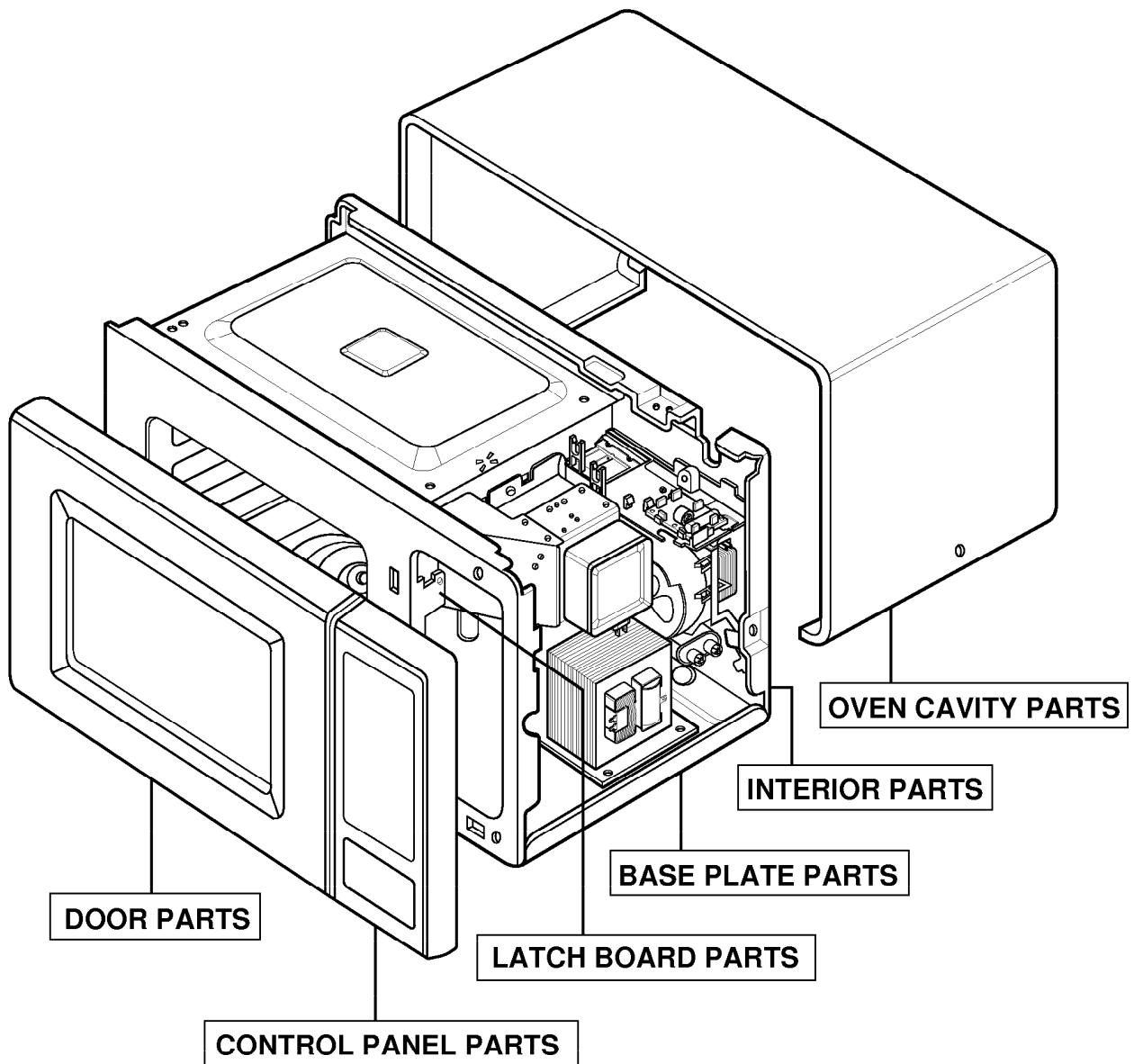


[Find Your WHIRLPOOL Microwave Parts - Select From 1350 Models](#)

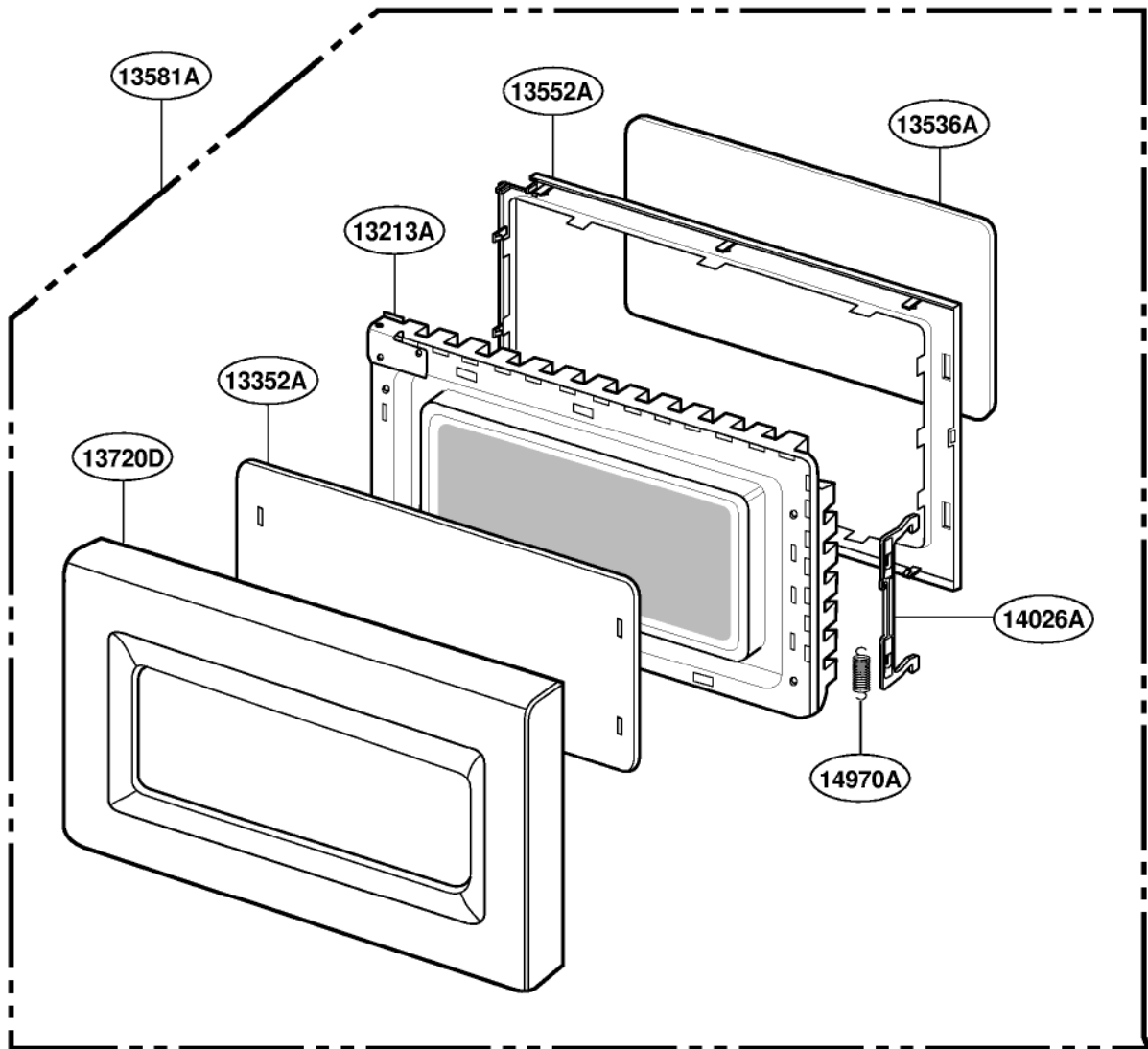
----- Manual continues below -----

# EXPLODED VIEW

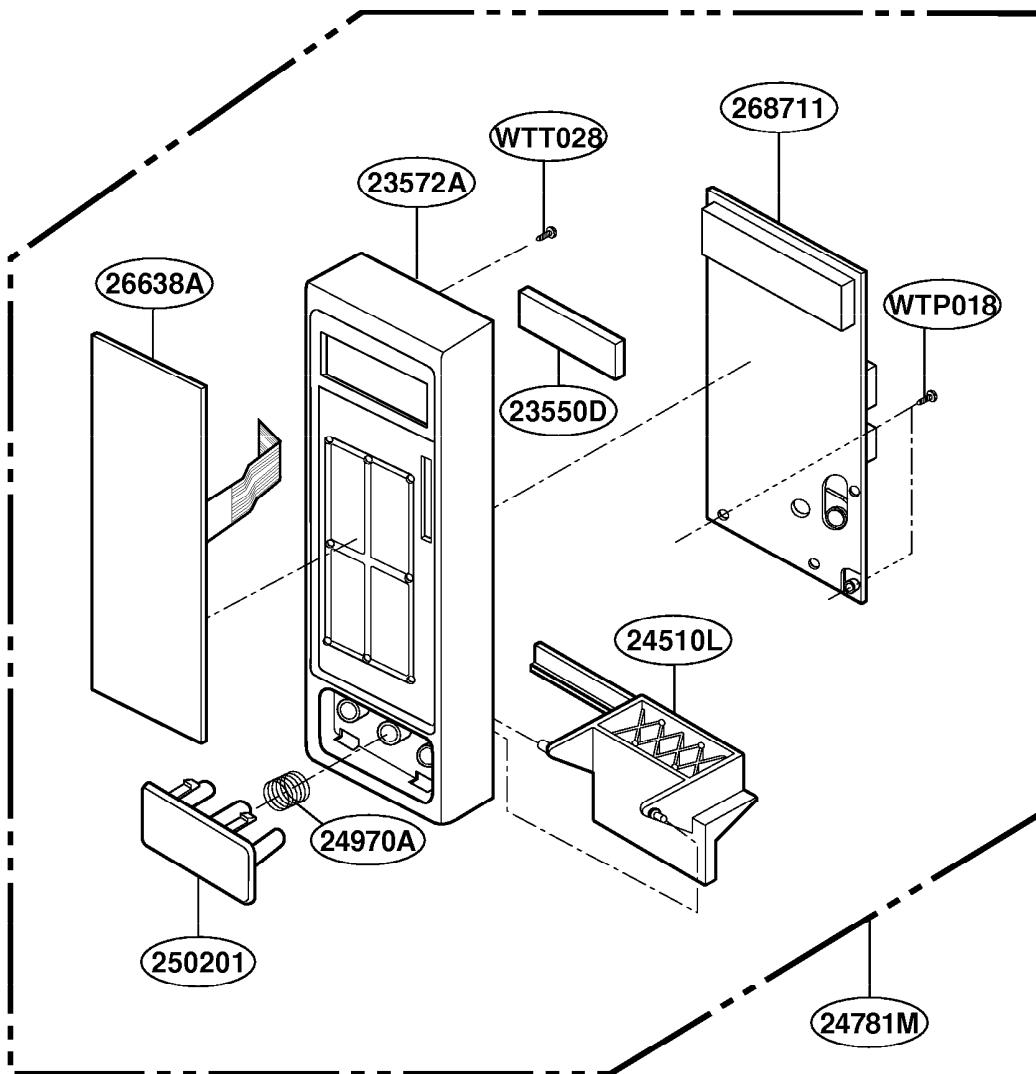
## INTRODUCTION



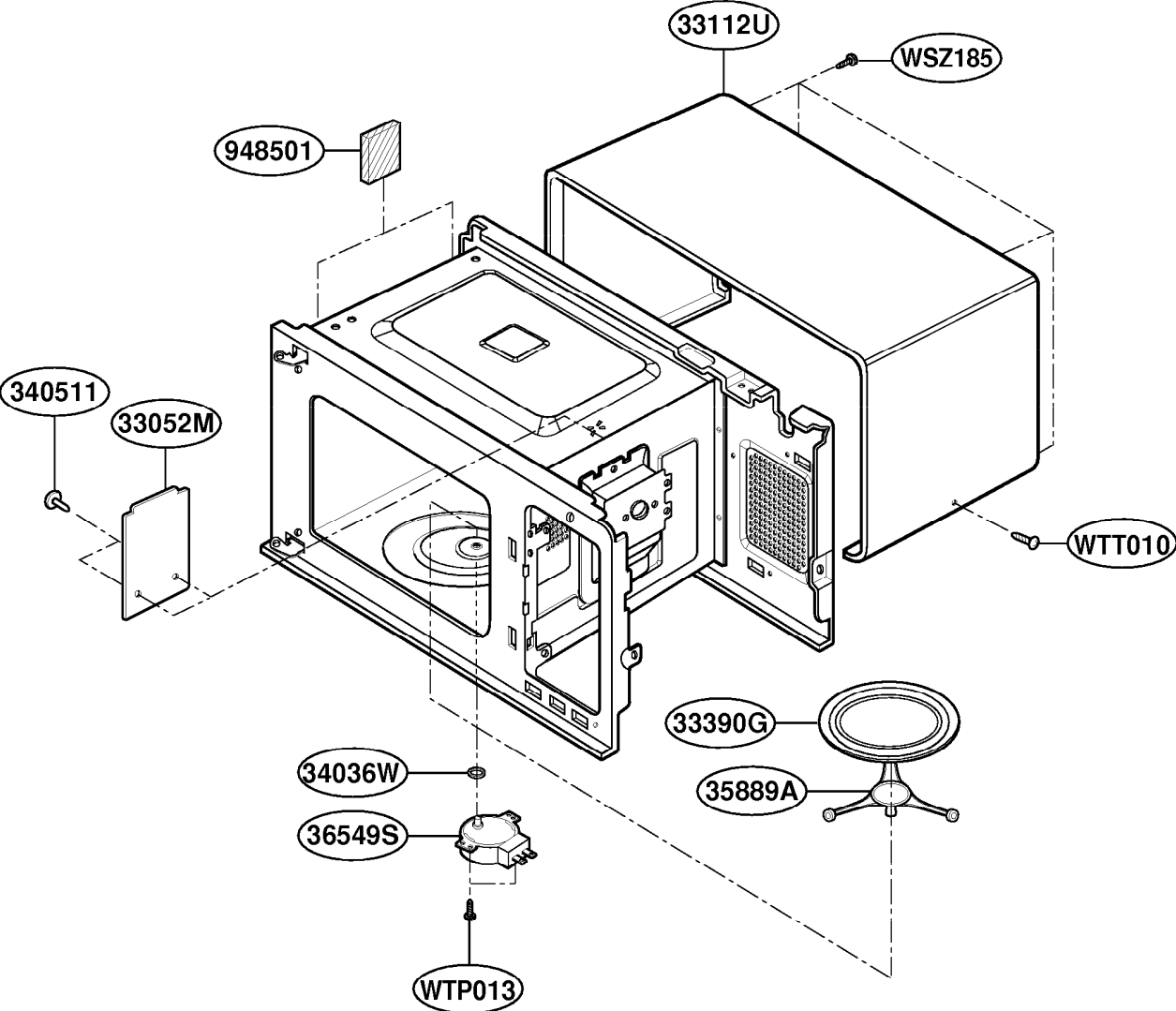
# DOOR PARTS



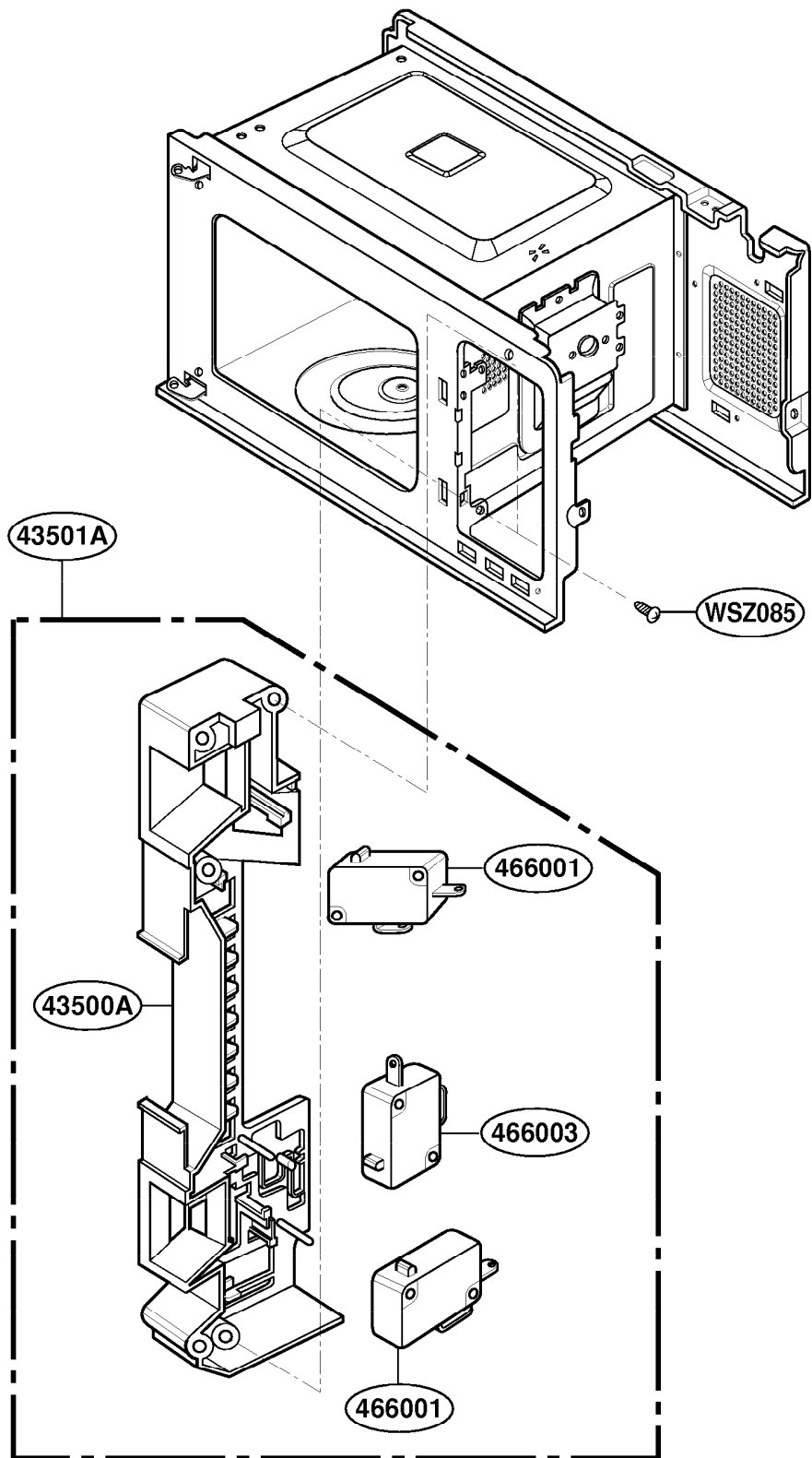
# CONTROLLER PARTS



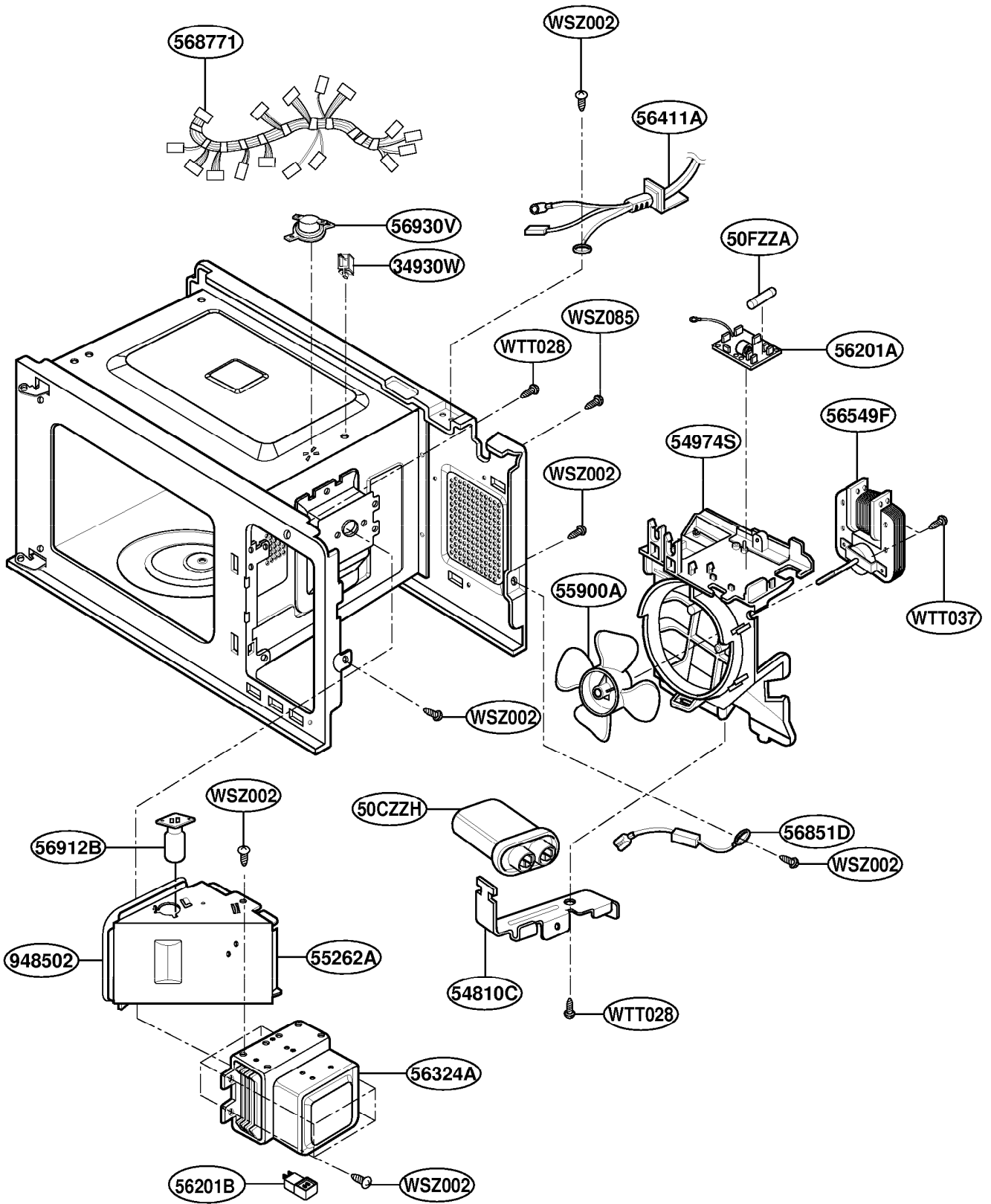
# OVEN CAVITY PARTS



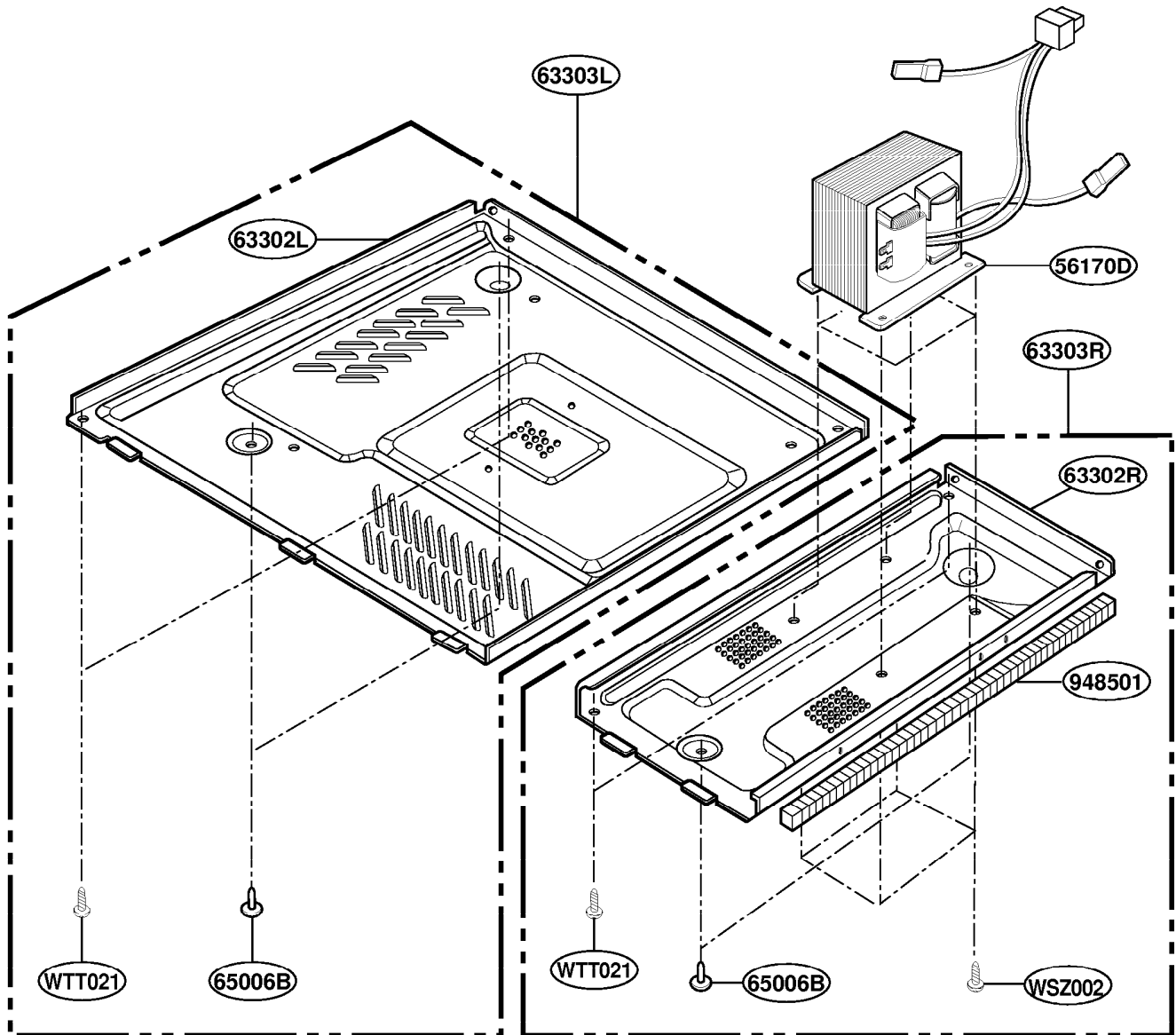
# LATCH BOARD PARTS



# INTERIOR PARTS



# BASE PLATE PARTS



# SENSOR PARTS

