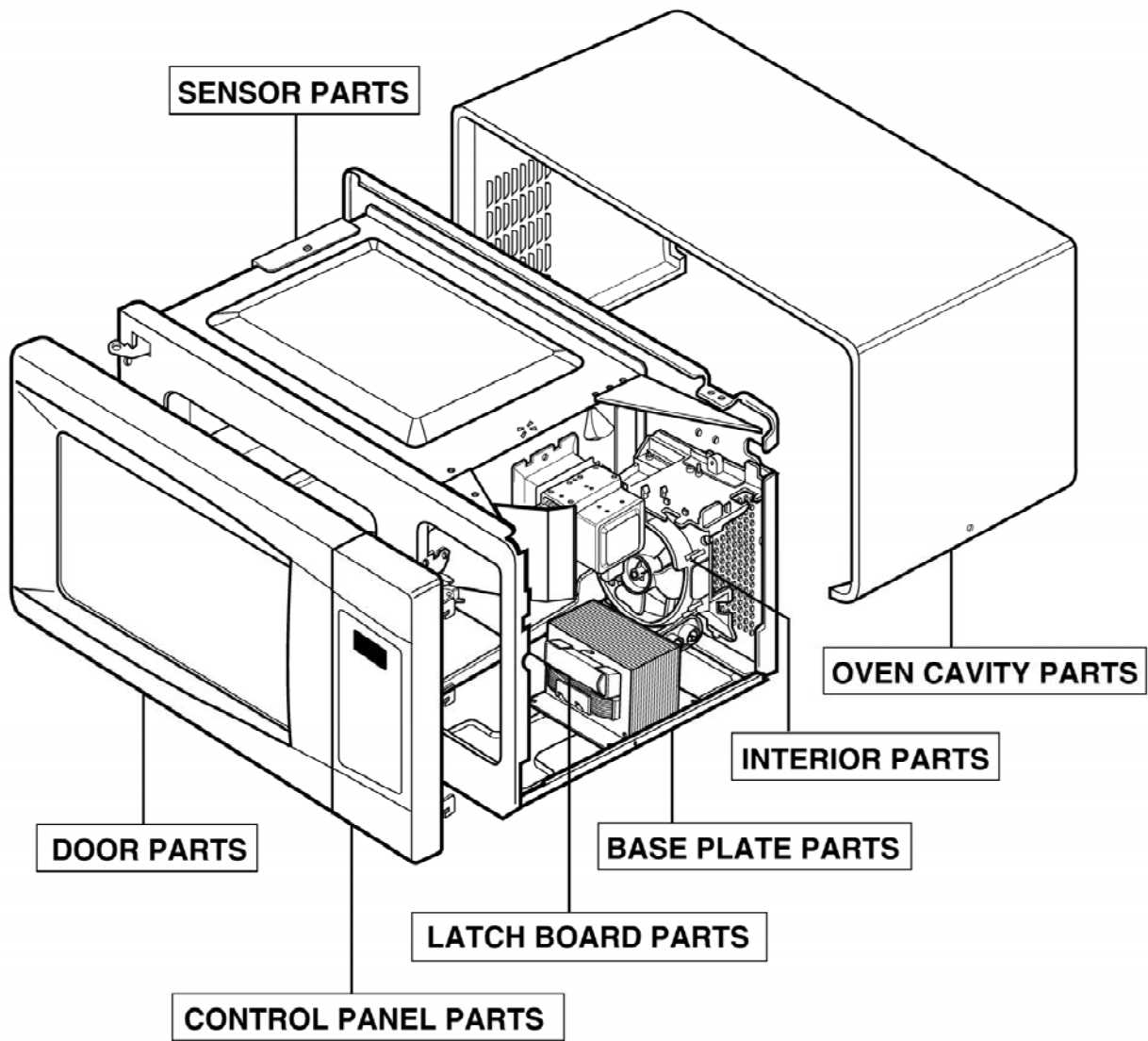


EXPLODED VIEW

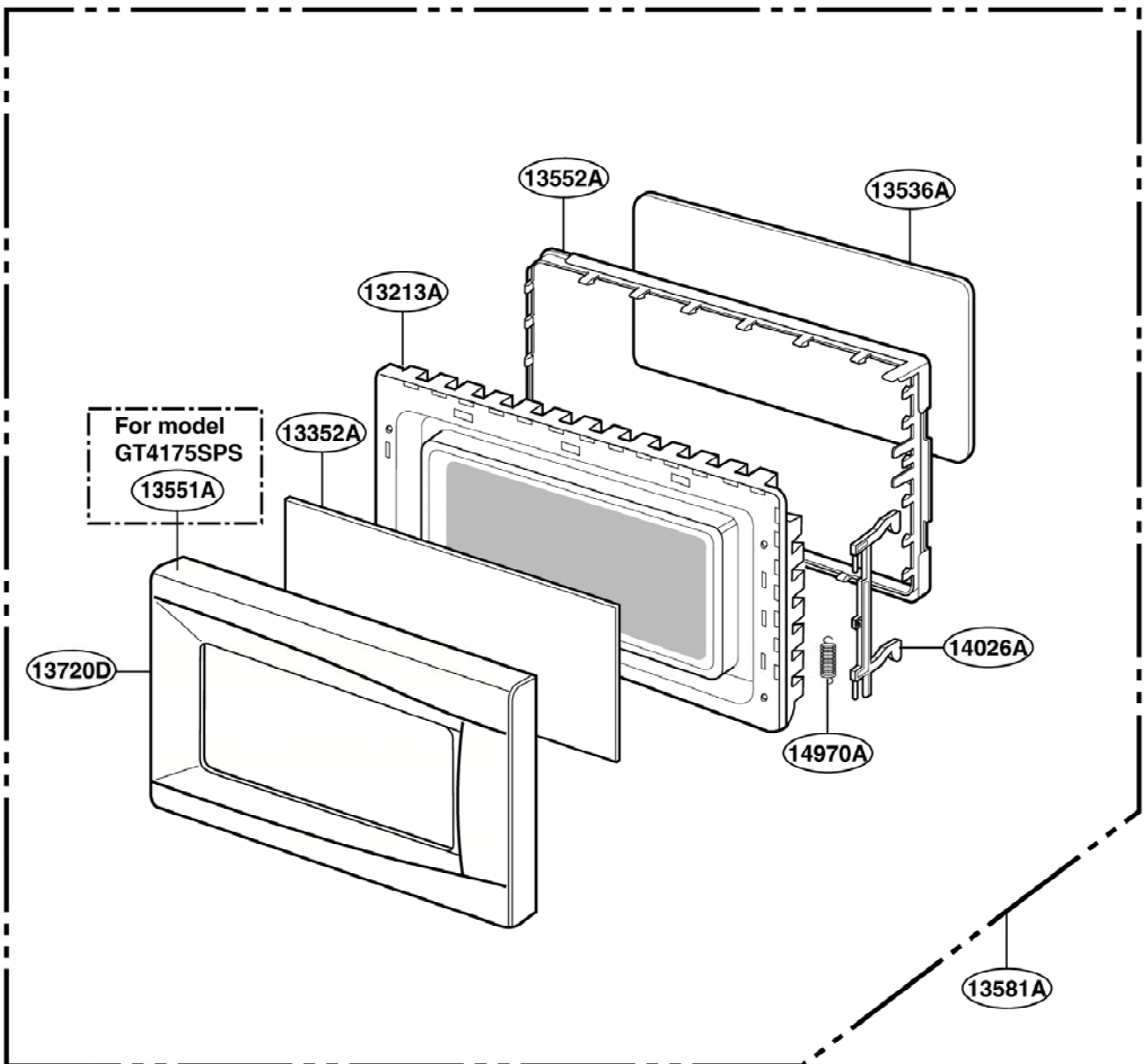
INTRODUCTION

Model : GT4175SP

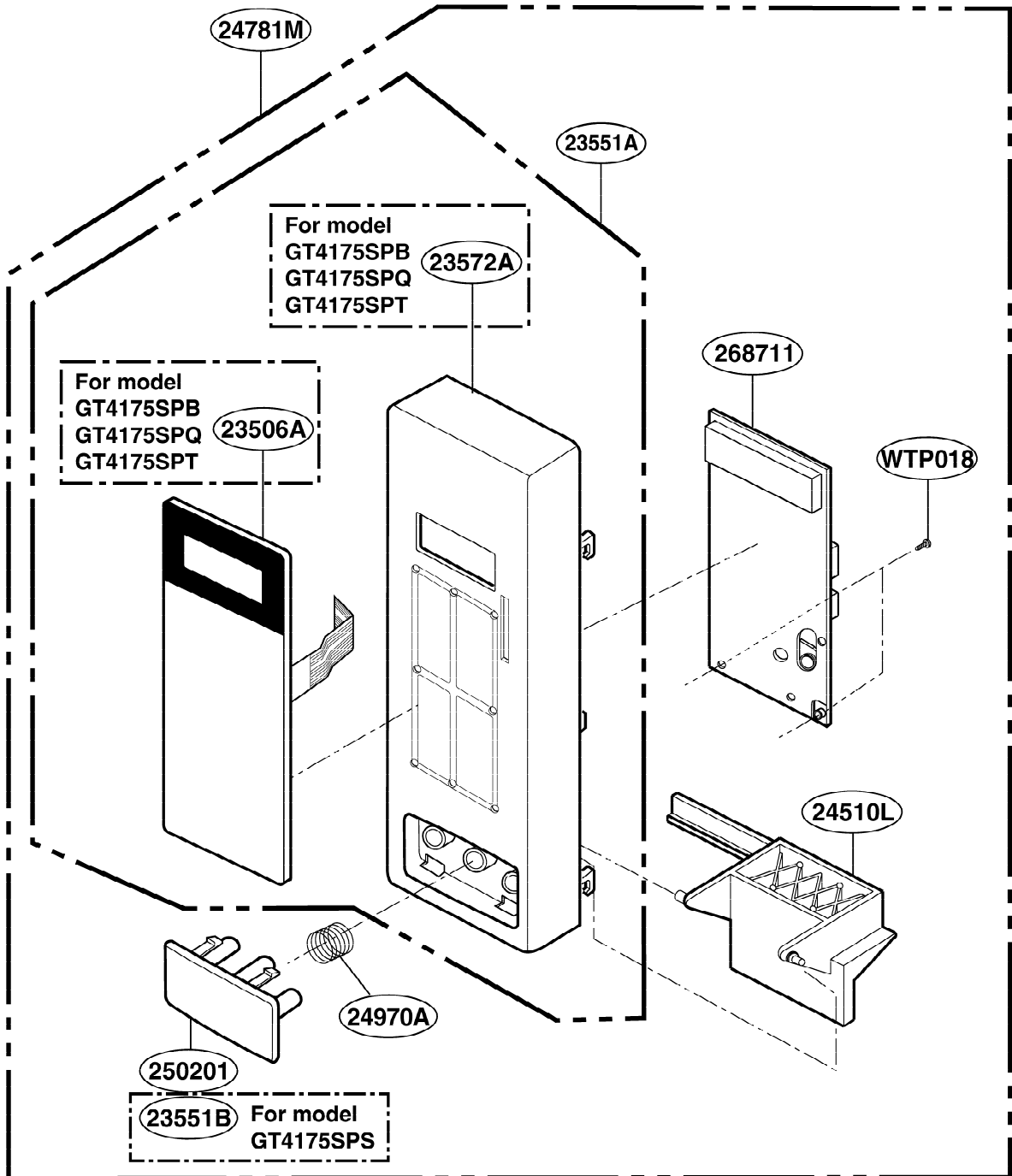


P/NO : 3828W5S4063

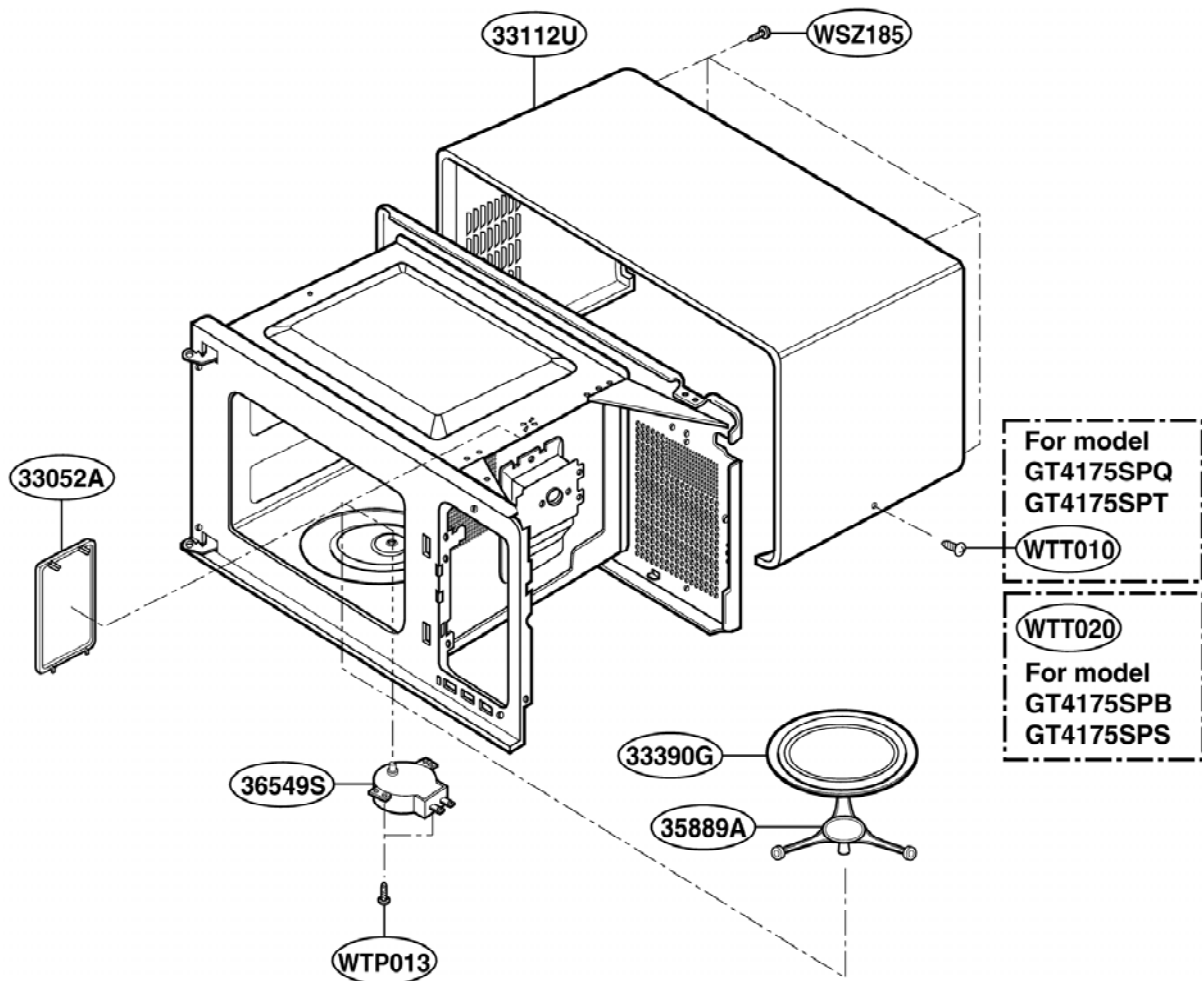
DOOR PARTS



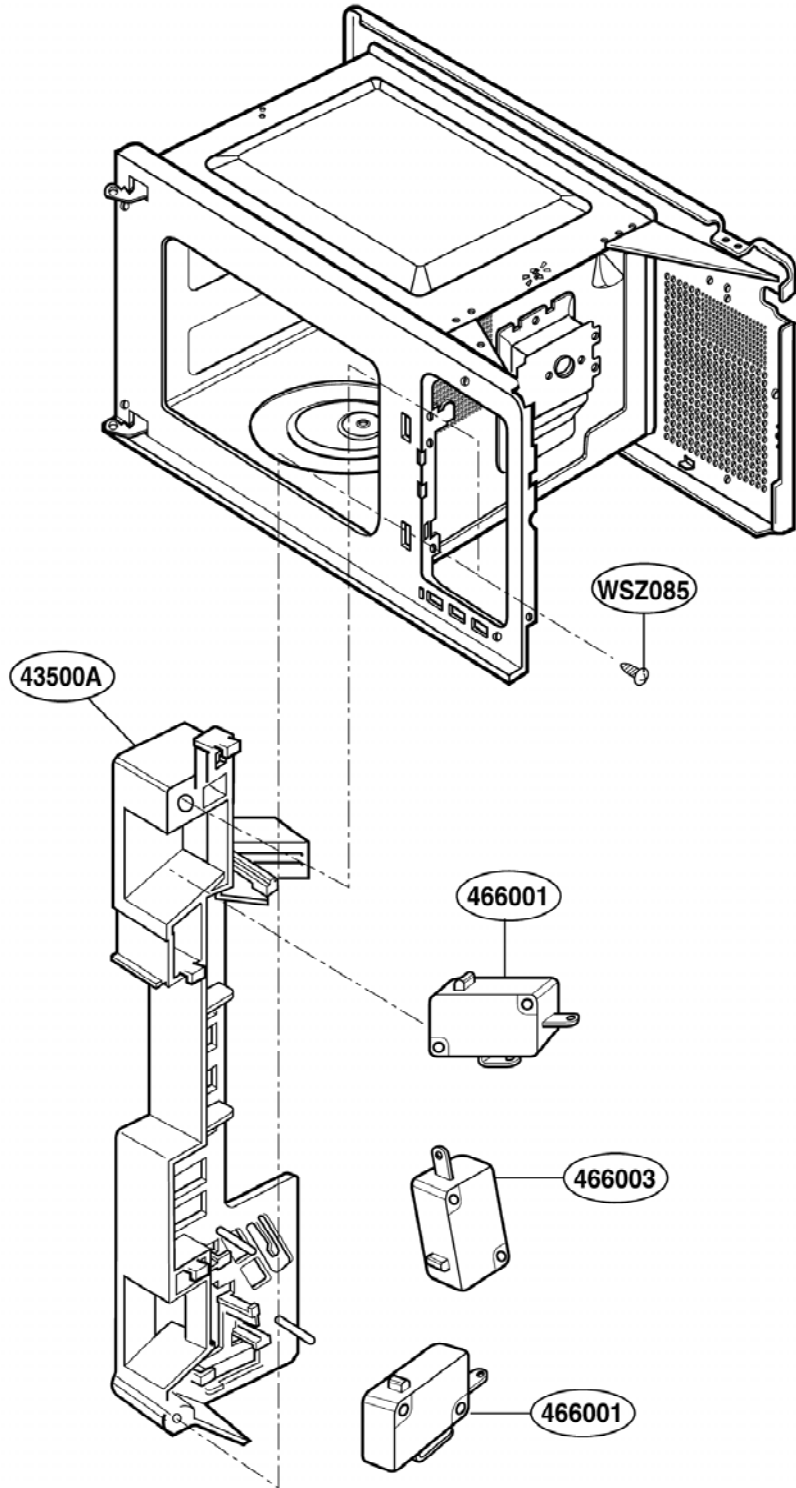
CONTROL PANEL PARTS



OVEN CAVITY PARTS



LATCH BOARD PARTS

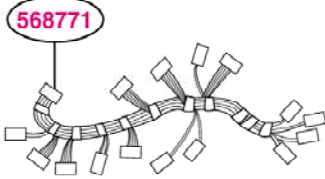


INTERIOR PARTS (I)

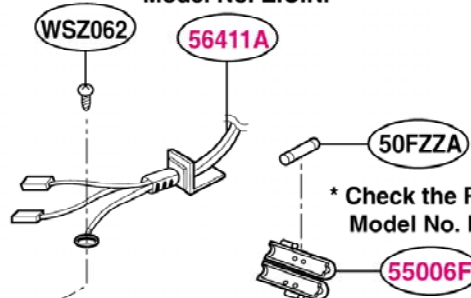
Model: GT4175SPQ-0
GT4175SPB-0
GT4175SPT-0
GT4175SPS-0

Check the rating label of **Model** and order SVC parts according to the **Model No. E.C.N.**

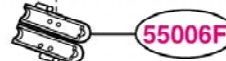
* Check the Rating Model No. E.C.N.



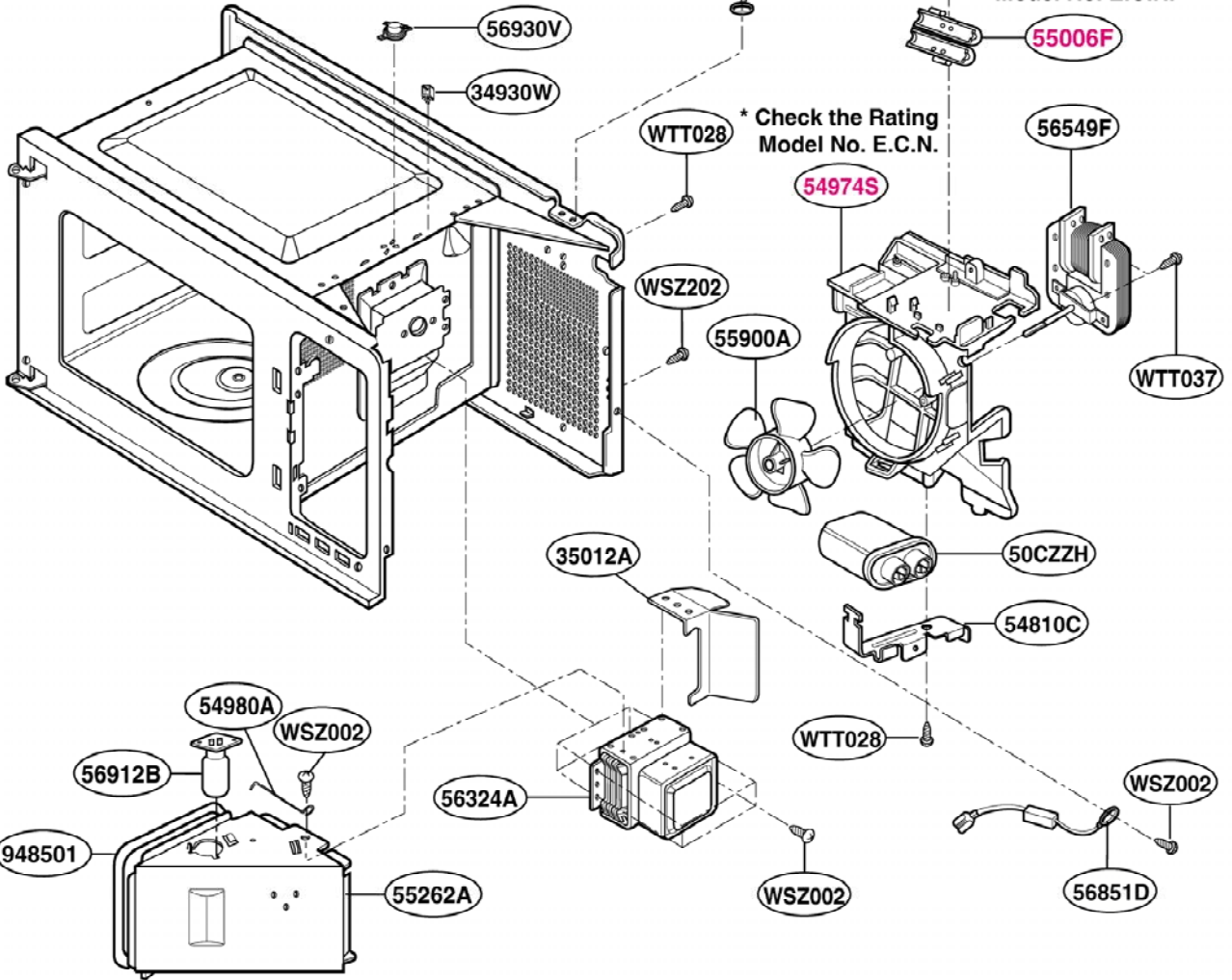
* Check the Rating Model No. E.C.N.



* Check the Rating Model No. E.C.N.



* Check the Rating Model No. E.C.N.

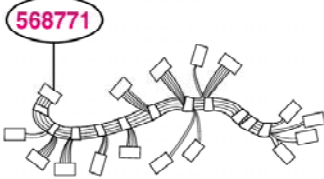


INTERIOR PARTS (II)

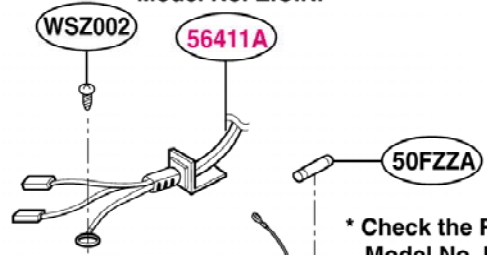
Model: GT4175SPQ-1
GT4175SPB-1
GT4175SPT-1
GT4175SPS-1

Check the rating label of **Model** and order SVC parts according to the **Model No. E.C.N.**

* Check the Rating
Model No. E.C.N.



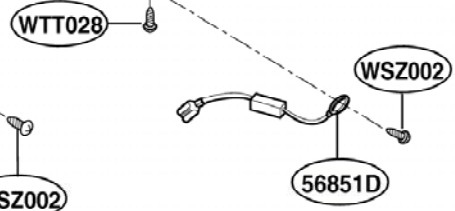
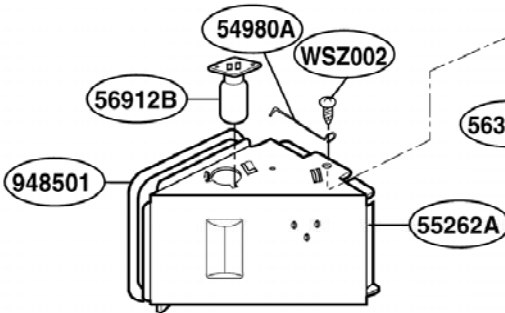
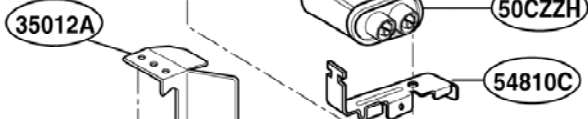
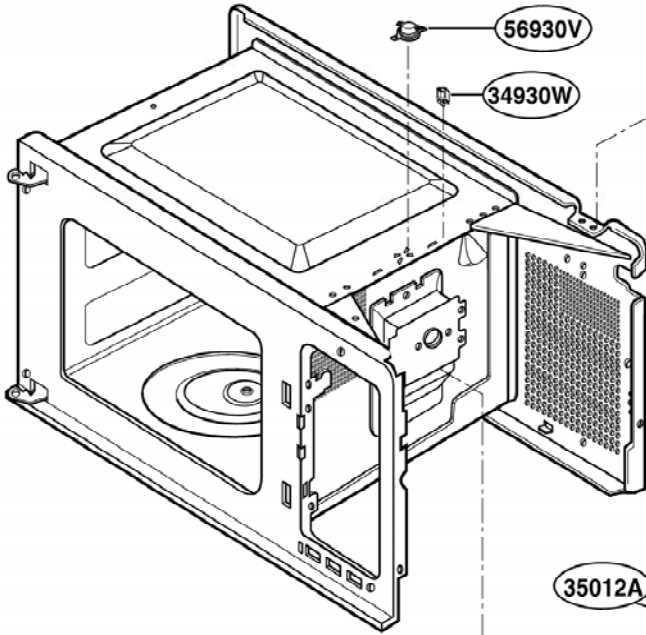
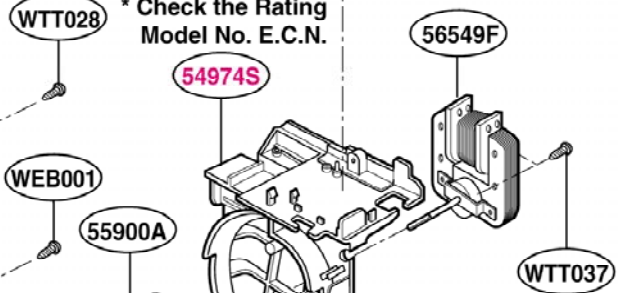
* Check the Rating
Model No. E.C.N.



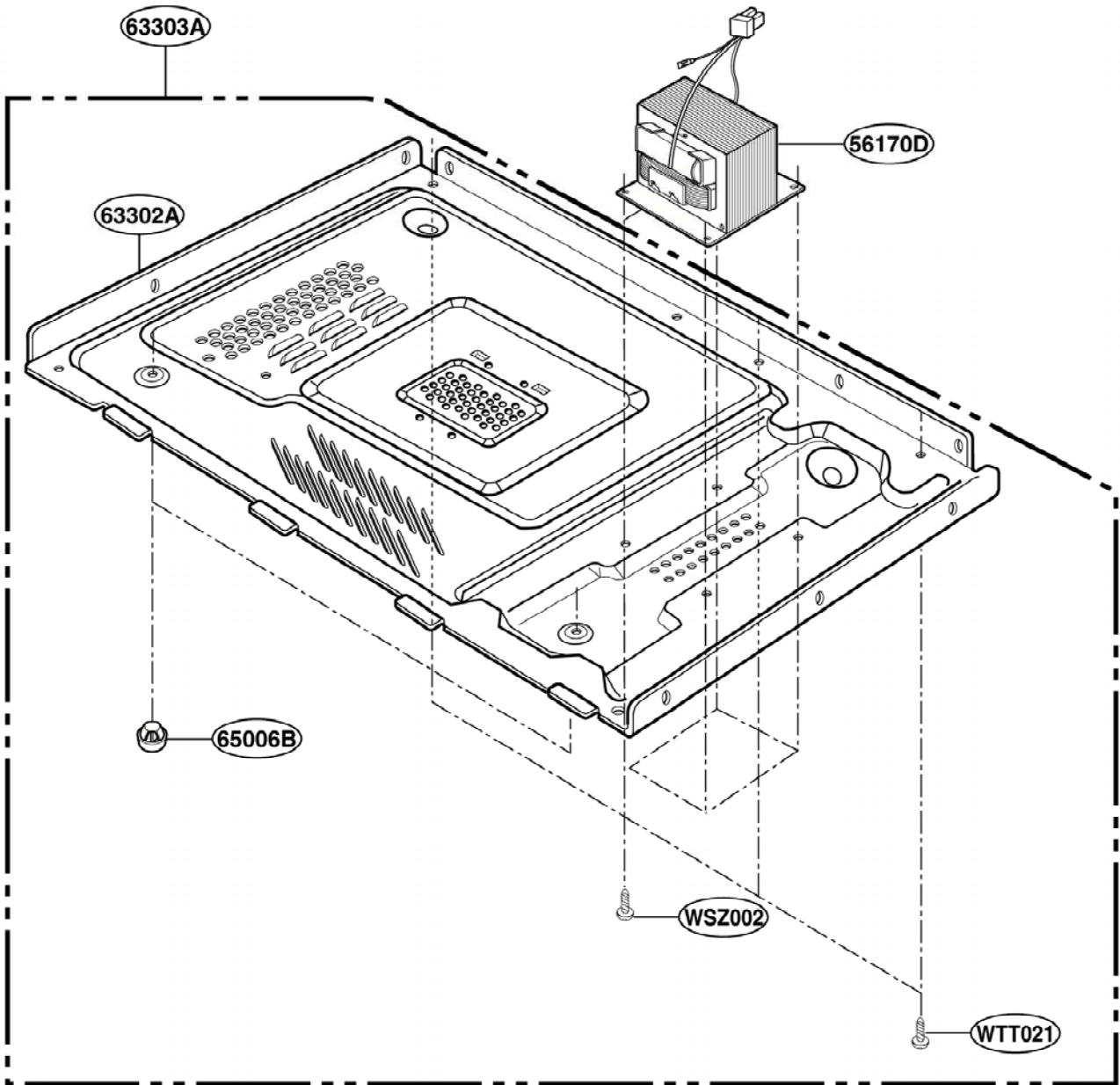
* Check the Rating
Model No. E.C.N.



* Check the Rating
Model No. E.C.N.



BASE PLATE PARTS



SENSOR PARTS

