

This Owner's Manual is provided and hosted by [Appliance Factory Parts](#).



# WHIRLPOOL GT4185SKS Owner's Manual

[Shop genuine replacement parts for WHIRLPOOL  
GT4185SKS](#)



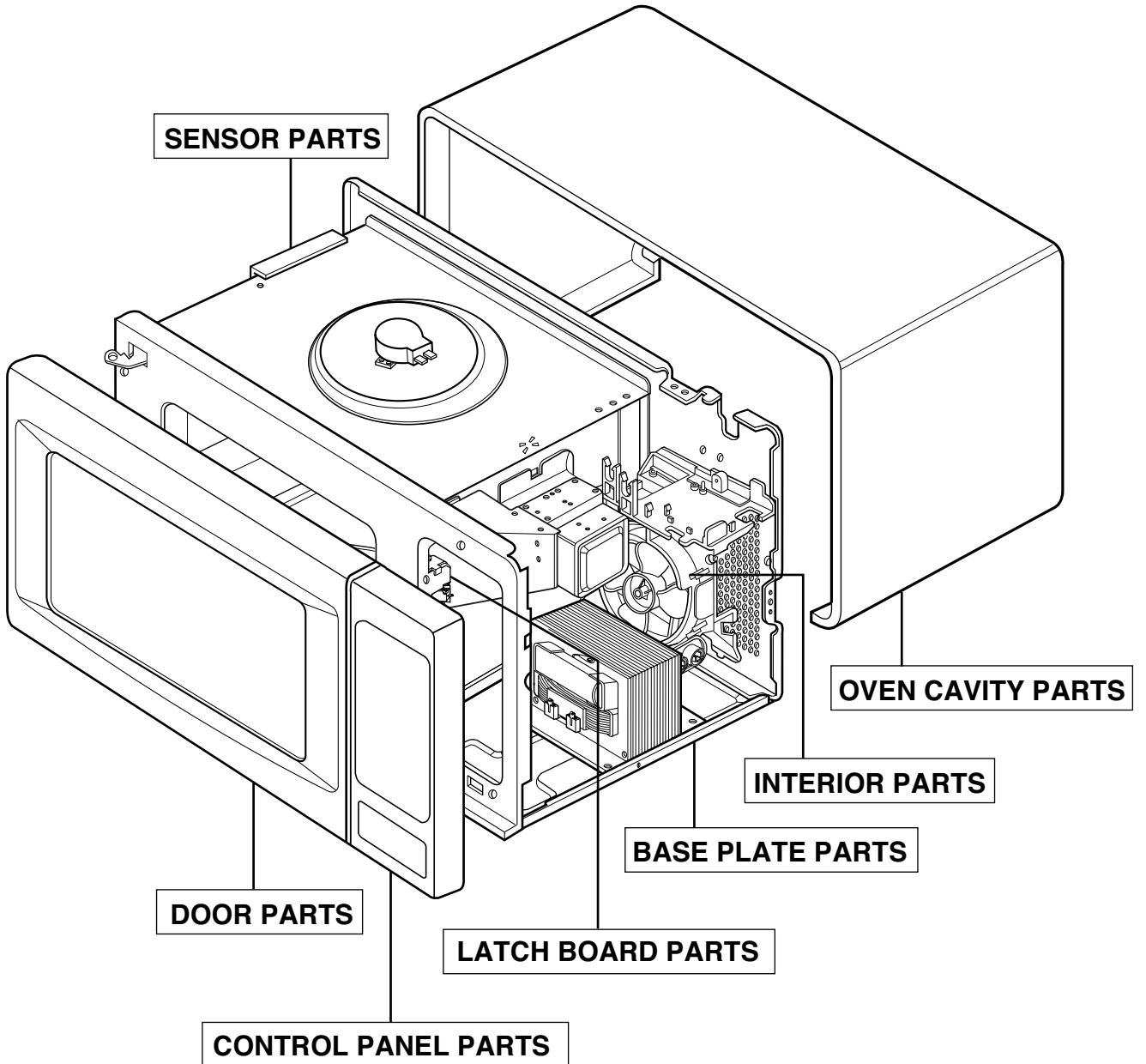
[Find Your WHIRLPOOL Microwave Parts - Select From 1350 Models](#)

----- Manual continues below -----

# EXPLODED VIEW

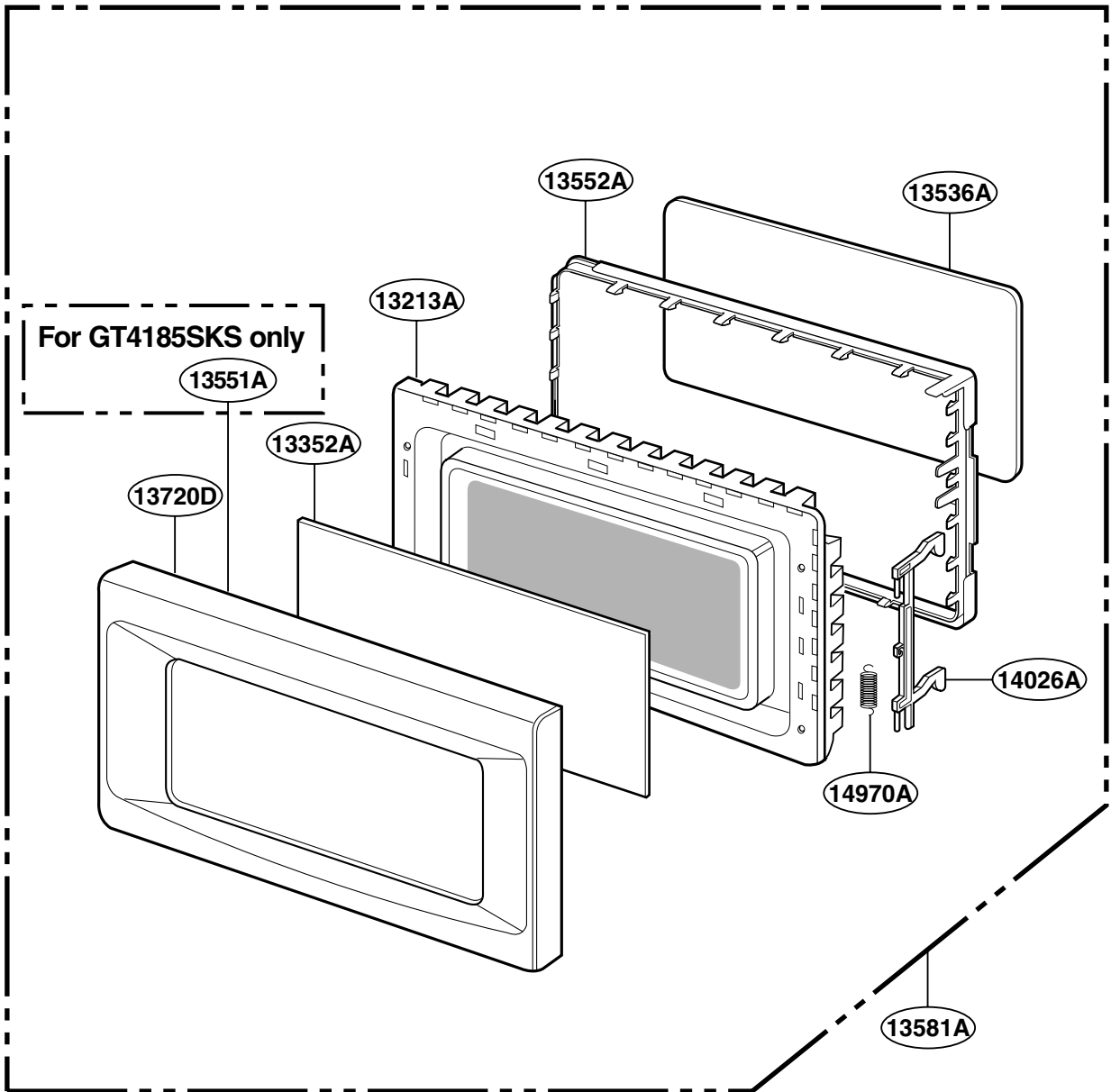
## INTRODUCTION

MODEL: GT4185SKB  
GT4185SKT  
GT4185SKQ  
GT4185SKS



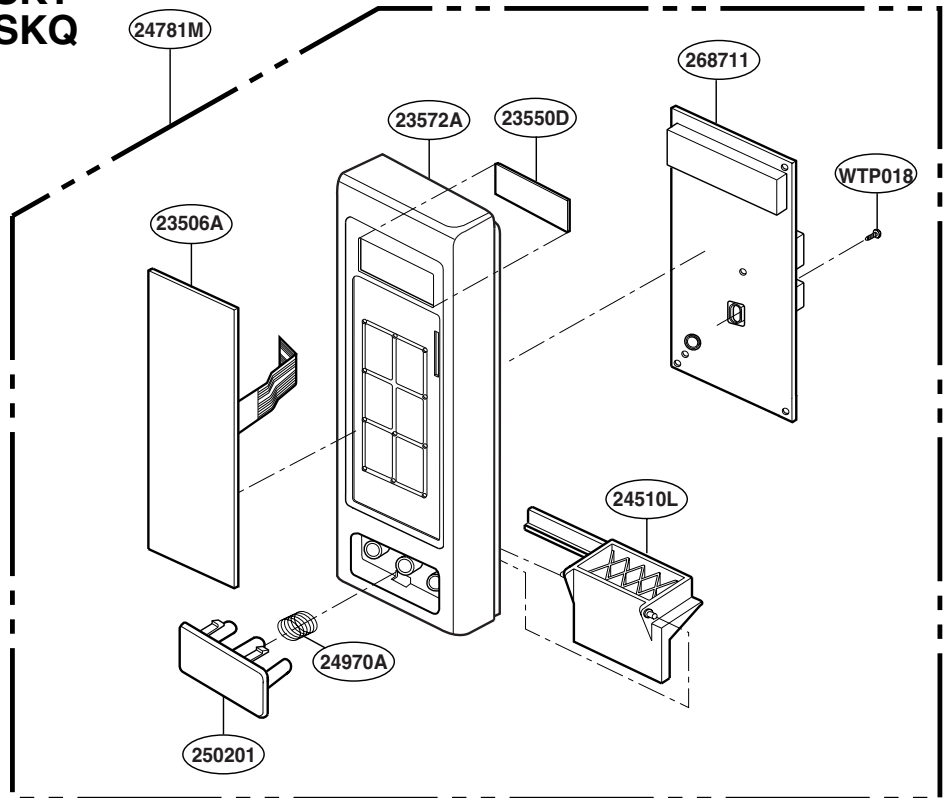
# DOOR PARTS

For model: GT4185SK

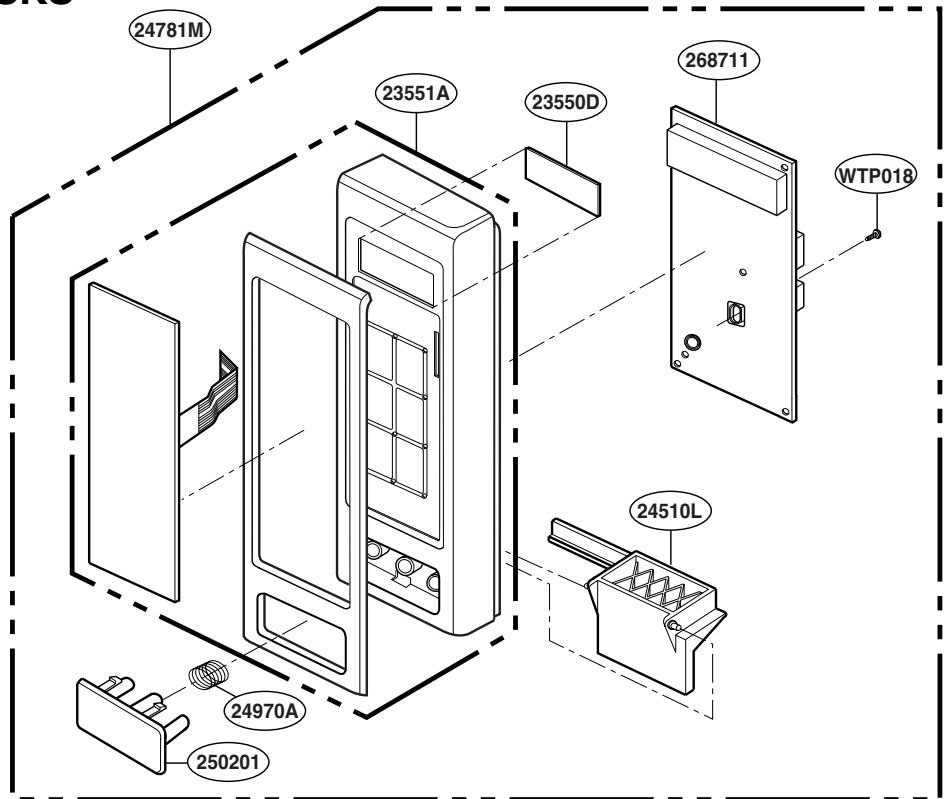


# CONTROLLER PARTS

For model: GT4185SKB  
GT4185SKT  
GT4185SKQ



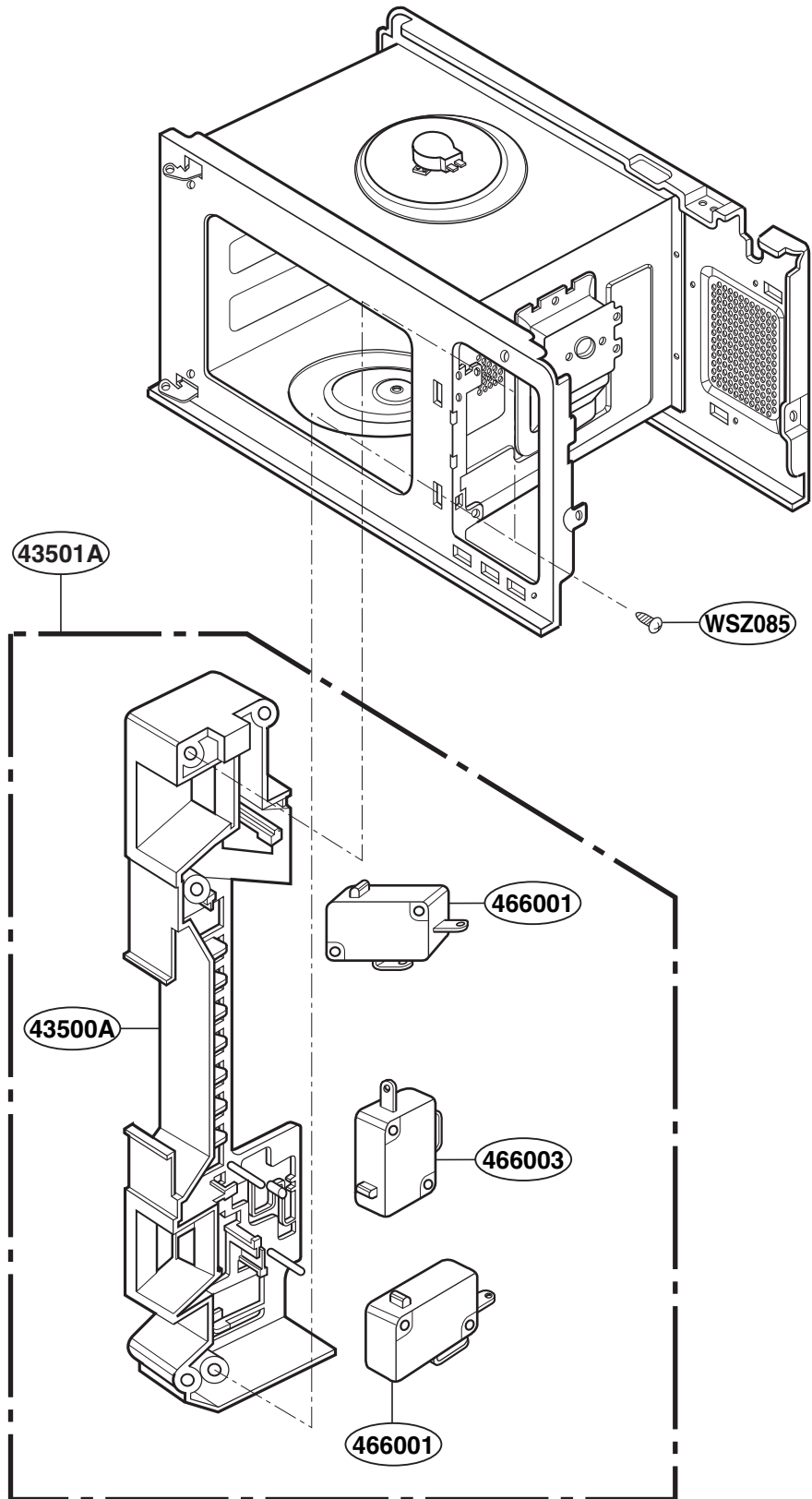
For model: GT4185SKS





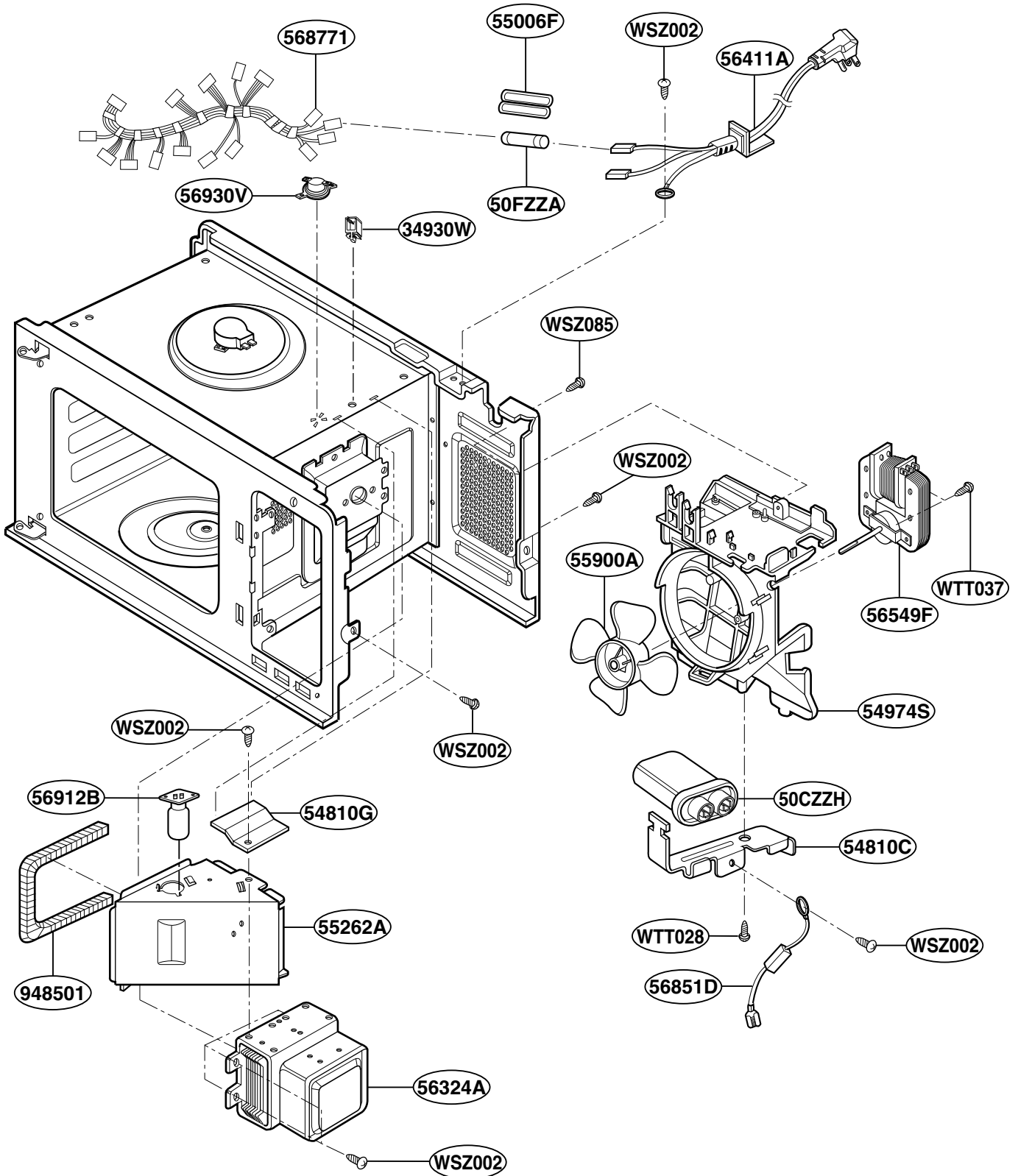
# LATCH BOARD PARTS

For model: GT4185SK



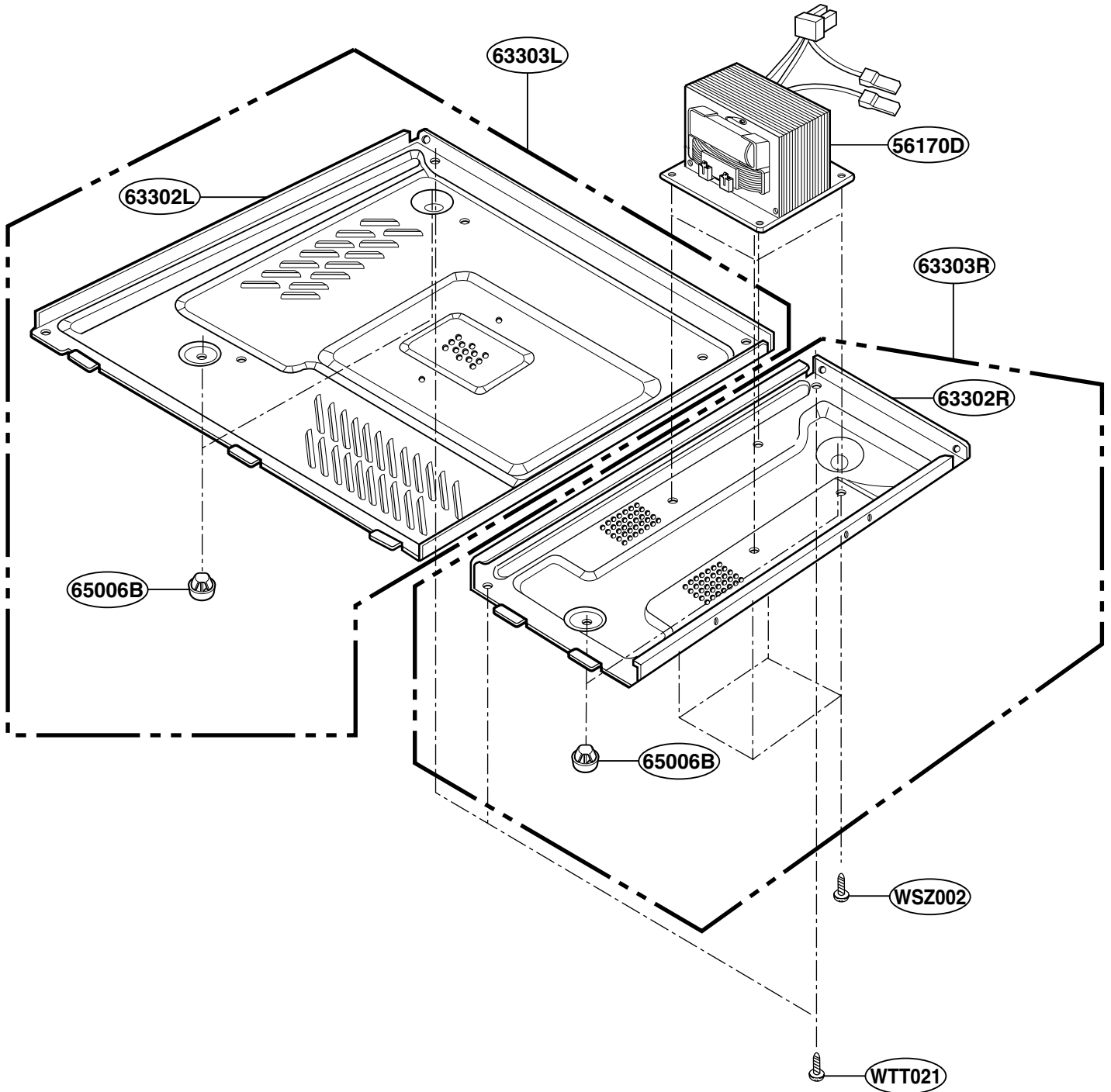
# INTERIOR PARTS

For model: GT4185SK



# BASE PLATE PARTS

For model: GT4185SK



# SENSOR PARTS

For model: GT4185SK

