

This Owner's Manual is provided and hosted by [Appliance Factory Parts](#).



# LG LW-B0760CL Owner's Manual

[Shop genuine replacement parts for LG LW-B0760CL](#)



[Find Your LG Air Conditioner Parts - Select From 2328 Models](#)

----- Manual continues below -----

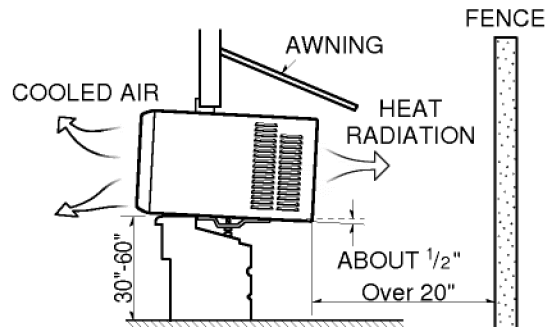
# 3. INSTALLATION

## 3.1 SELECT THE BEST LOCATION

1. To prevent vibration and noise, make sure the unit is installed securely and firmly.
2. Install the unit where the sunlight does not shine directly on the unit.
3. The outside of the cabinet must extend outward for at least 10" and there should be no obstacles, such as a fence or wall, within 20" from the back of the cabinet because it will prevent heat radiation of the condenser. Restriction of outside air will greatly reduce the cooling efficiency of the air conditioner.

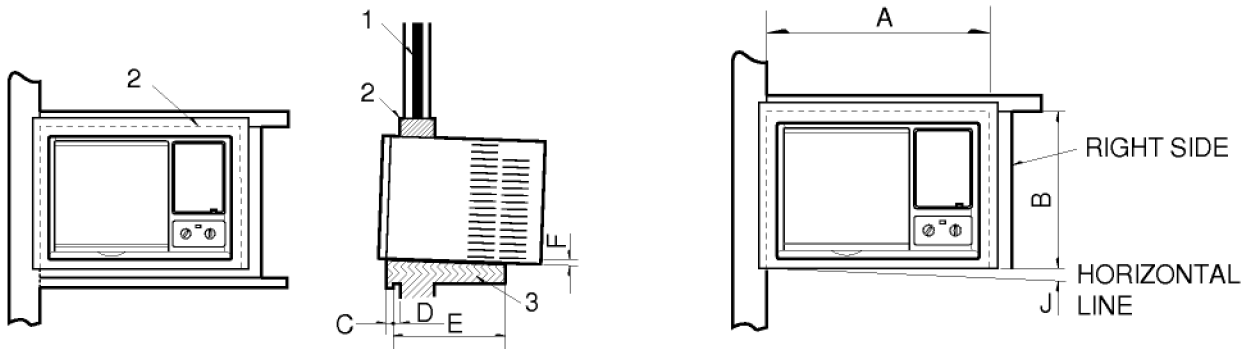
**CAUTION**  
All side louvers of the cabinet must remain exposed to the outside of the structure.

4. Install the unit slightly slanted so the back is slightly lower than the front (about 1/2"). This will force condensed water to the outside.
5. Install the unit with the bottom about 30"~60" above the floor level.



## 3.2 HOW TO INSTALL

### 3.2.1 WHEN USING GASKET



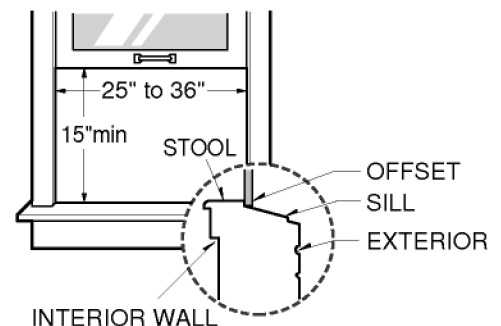
1. WINDOW (WIDTH-A, HEIGHT-B)
2. GASKET
3. WALL

A	B	C	D	E	F	G
535mm (21 <sup>1</sup> / <sub>16</sub> " )	365mm (14 <sup>3</sup> / <sub>8</sub> " )	30mm (1 <sup>1</sup> / <sub>16</sub> " )	0~25mm (0~1" )	OVER 340mm (13 <sup>7</sup> / <sub>16</sub> " )	12~15mm ( <sup>15</sup> / <sub>32</sub> "~ <sup>19</sup> / <sub>32</sub> " )	-5~5mm (- <sup>3</sup> / <sub>16</sub> "~ <sup>3</sup> / <sub>16</sub> " )

### 3.2.2 WHEN USING INSTALLATION KITS.

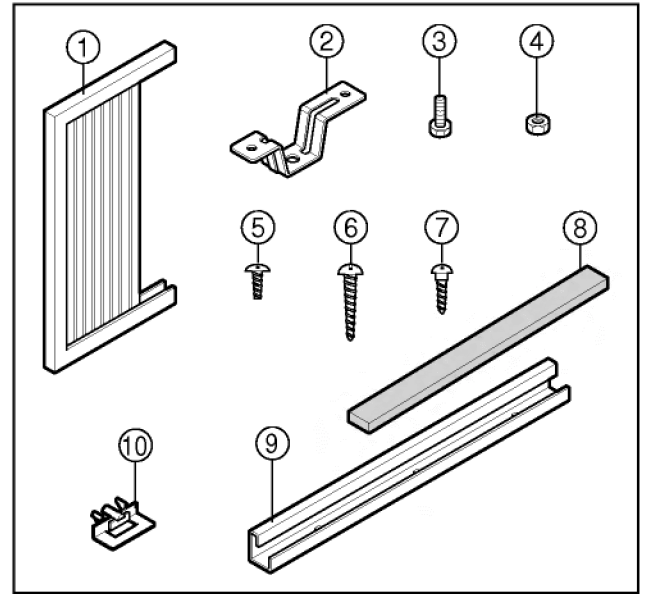
#### A. WINDOW REQUIREMENTS

1. This unit is designed for installation in standard double hung windows with actual opening widths from 25" to 36". The top and bottom window sash must open sufficiently to allow a clear vertical opening of 15" from the bottom of the upper sash to the window stool.
2. The stool offset (height between the stool and sill) must be less than 1/4".



## B. INSTALLATION KITS CONTENTS

NO.	NAME OF PARTS	Q'TY
1	GUIDE PANEL	2
2	SILL SUPPORT	2
3	BOLT	2
4	NUT	2
5	SCREW (TYPE A)	16
6	SCREW (TYPE B)	3
7	SCREW (TYPE C)	4
8	FOAM-STRIP	1
9	UPPER GUIDE	1
10	FRAME GUIDE	2

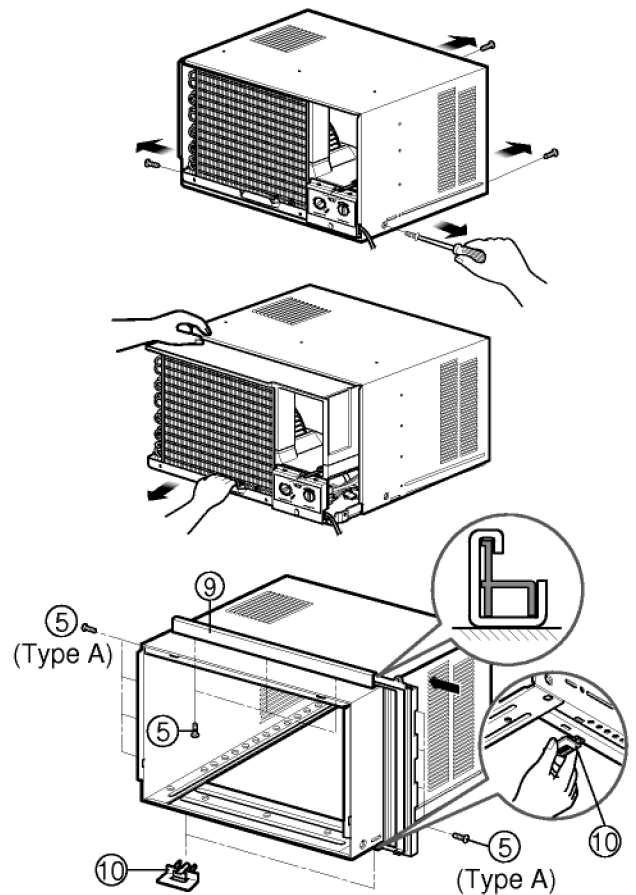


## C. SUGGESTED TOOL REQUIREMENTS

SCREWDRIVER (+), RULER, KNIFE, HAMMER, PENCIL, LEVEL

## D. PREPARATION OF CHASSIS

1. Remove the front grille.
2. Remove the screw which fastens the cabinet at both sides and at the back.
3. Slide the unit out of the cabinet by gripping the base pan handle and pull forward while bracing the cabinet.
4. Screw the upper guide  $\times$  to the upper of the cabinet respectively. (Type A screw  $\times$  : Length, eight millimeters (5/16") and below.)
5. Insert the frame guide  $\times$  into the bottom of the cabinet.
6. Insert the guide panels  $\times$  into the upper guide  $\times$  and frame guides  $\times$  of the air conditioner.
7. Fasten the curtains to the unit with screws. (Type A)



## E. CABINET INSTALLATION

1. Open the window. Mark a line at the center of the window stool (or desired air conditioner location). Carefully place the cabinet on the window stool and align the center mark on the bottom front with the center line marked in the window stool.

2. Pull the bottom window sash down behind the upper guide until it meets.

### NOTES

- Do not pull the window sash down so tight that the movement of the guide panel is restricted.

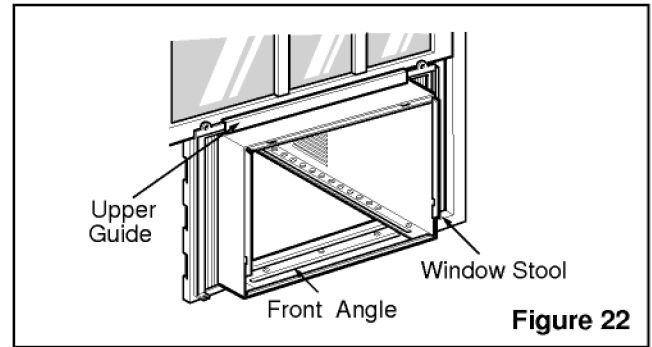


Figure 22

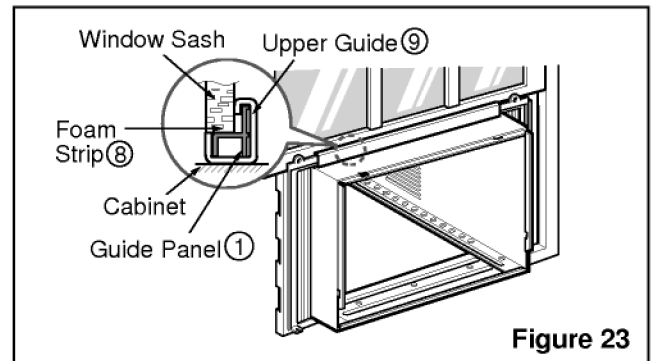


Figure 23

3. Loosely assemble the sill support. (See figure 24)

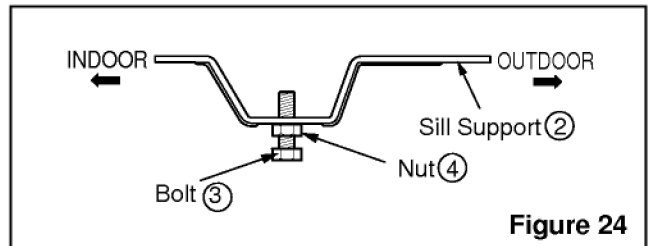


Figure 24

4. Select the position that will place the sill support near the outermost point on sill (See figure 25).

**NOTE:** Be careful when you install the cabinet (frame guides  $\times$  are broken very easily).

5. Attach the sill support to the cabinet track hole in relation to the selected position using the screws (Type A) (See figure. 25).

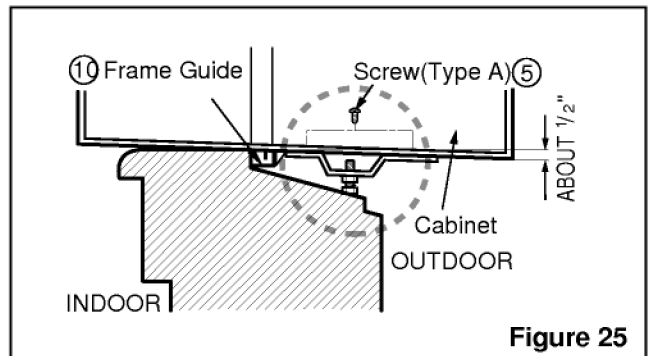


Figure 25

6. Place the sill support with the cabinet on the window sill's selected position.

7. The cabinet should be installed with a very **slight tilt (about 1/2") downward** toward the outside (See Fig. 26).

Adjust the bolt and the nut of the sill support for balancing the cabinet.

8. Attach the cabinet to the window stool by driving the screws  $\times$  (Type B: Length sixteen millimeters (5/8") and below.) through the front angle into window stool.

9. Pull each guide panel fully to each sash track, and repeat step2.

10. Attach each guide panel to the window sash using screws  $\times$  (Type C). (See Fig. 27)

11. Slide the chassis into the cabinet. (See figure 28)

**CAUTION**

For security purposes, reinstall screws at cabinet's sides.

12. Cut the foam-strip to the proper length and insert between the upper window sash and the lower window sash. (See figure 29)

13. After installing the unit back into the cabinet, there will be an air gap between the bottom of the unit and the window sill. Use the foam-strip  $\times$  provided to fill in the opening.

14. Assemble the front grille with the cabinet. (See figure 30)

