

This Owner's Manual is provided and hosted by [Appliance Factory Parts](#).



LG LWH0510ACG Owner's Manual

[Shop genuine replacement parts for LG LWH0510ACG](#)



[Find Your LG Air Conditioner Parts - Select From 2328 Models](#)

----- Manual continues below -----

1. PREFACE

This service manual provides various service information, including the mechanical and electrical parts, etc. This room air conditioner was manufactured and assembled under a strict quality control system. The refrigerant is charged at the factory. Be sure to read the safety precautions prior to servicing the unit.

1.1 FEATURES

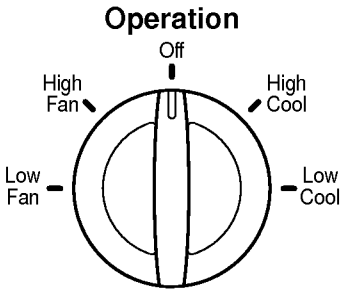
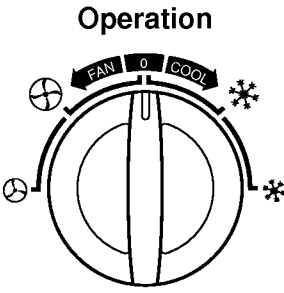
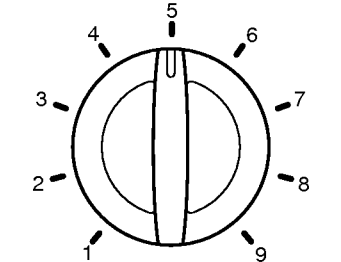
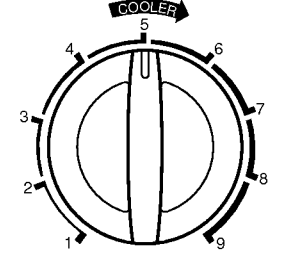
- DESIGNED FOR COOLING ONLY
- POWERFUL AND INCREDIBLE COOLING
- TOP-DOWN CHASSIS FOR THE SIMPLE INSTALLATION AND SERVICE
- BUILT-IN ADJUSTABLE THERMOSTAT
- WASHABLE ONE-TOUCH FILTER
- COMPACT SIZE

1.2 SPECIFICATIONS

ITEMS	MODELS	
	LWH0510ACG/ LWH0510ACL	LWH0511ACG/ LWH0511ACL
COOLING CAPACITY (BTU/h)	5,000	5,100
POWER SUPPLY (Phase, V, Hz)	1 φ, 115V, 60HZ	
INPUT (W)	625	565
OPERATING CURRENT (AMP.)	5.6	5.2
REFRIGERANT CONTROL	CAPILLARY TUBE	
REFRIGERANT CHARGE (R-22)	205g (7.2 oz)	220g (7.8 oz)
INSIDE FAN	BLOWER	
OUTSIDE FAN	PROPELLER FAN WITH SLINGER RING	
AIR DISCHARGE	2-WAY (RIGHT AND LEFT)	
CHASSIS	TOP-DOWN	
PROTECTOR	<ul style="list-style-type: none"> • OVERLOAD PROTECTOR FOR COMPRESSOR • INTERNAL PROTECTOR FOR FAN MOTOR 	
TEMPERATURE CONTROL	THERMOSTAT	
ROTARY SWITCH	5 POSITIONS (LOW FAN, HIGH FAN, OFF, HIGH COOL, LOW COOL)	
FAN MOTOR	6 POLES, 23W	

- **NOTE:** Specifications are subject to minor change without notice for further improvement.

1.3 LOCATIONS OF CONTROLS

<p style="text-align: center;">Operation</p> 	<p style="text-align: center;">Operation</p> 	<p>Off (0) : Turns air conditioner off.</p> <p>High Fan (⊕) : High speed fan operation without cooling.</p> <p>Low Fan (⊗) : Low speed fan operation without cooling.</p> <p>High Cool (❄) : Cooling with high speed fan operation.</p> <p>Low Cool (*) : Cooling with low speed fan operation.</p>
<p style="text-align: center;">Thermostat</p> 	<p style="text-align: center;">Thermostat</p> 	<p>This automatically controls the temperature of the indoor air.</p> <p>Turn the knob so that the arrow points to the larger marks for greater cooling. Point the arrow to the smaller marks for more moderate cooling. (i.e. the higher the number, the greater the cooling)</p>

CAUTION : After switching the air conditioner from Cool to Off (0) or Fan, wait at least 3 minutes before switching it back to Cool.

1.4 SAFETY PRECAUTIONS

1. When servicing, set the ROTARY SWITCH to Off (0) and unplug the power cord.
2. Observe the original lead dress.
If a short circuit is found, replace all parts which have been overheated or damaged by the short circuit.
3. After servicing, make an insulation resistance test to prevent the customer from being exposed to shock hazards.

1.5 INSULATION RESISTANCE TEST

1. Unplug the power cord and connect a jumper between 2 pins (black and white).
2. The grounding conductor (green or green and yellow) is to be open.
3. Measure the resistance value with an ohm meter between the jumpered lead and each exposed metallic part on the equipment at all position [except Off (0)] of the ROTARY SWITCH.
4. The value should be over 1 MΩ.

2. DISASSEMBLY INSTRUCTIONS

2.1 MECHANICAL PARTS

2.1.1 FRONT GRILLE

1. Disconnect the unit from source of power.
2. Remove the two knobs by pulling them off.
Using a screwdriver, remove the screw that secures the front grille to control board.
(See Figure 1)
3. Push the front grille up from the bottom.
Pull the top of the front grille away from the cabinet as the top tabs lift out of their slots.
(See Figure 2)
4. Replace the grille by placing the tabs in the slots and push the grille until it snaps into place.

Figure 1

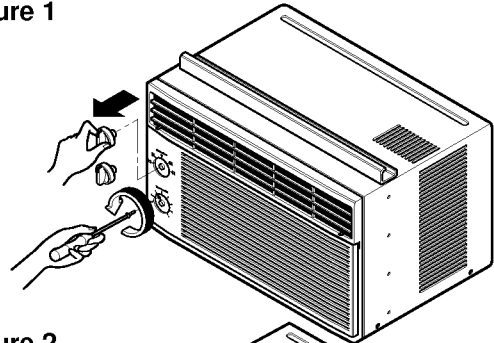


Figure 2

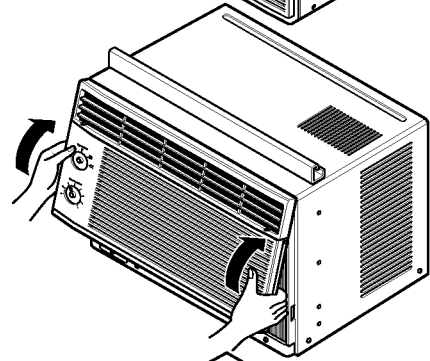


Figure 3

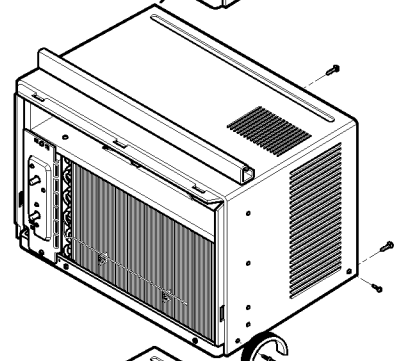


Figure 4

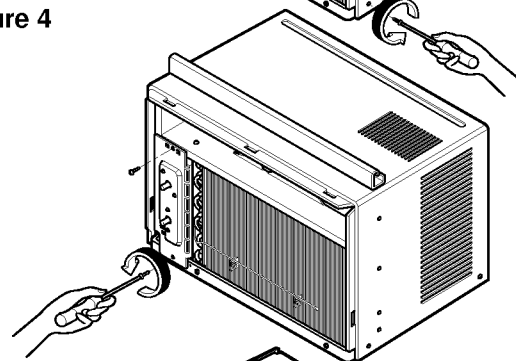
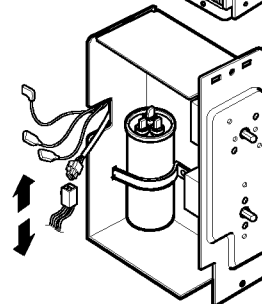


Figure 5



2.1.2 CABINET

1. Disconnect the unit from the power source.
2. Remove the front grille. (Refer to section 2.1.1)
3. Remove 6 screws that secure the cabinet to the base pan. (See figure 3)
4. Lift the cabinet from the unit.
5. Re-install by referring to the procedures above.

2.1.3 CONTROL BOARD

1. Disconnect the unit from the power source.
2. Remove the front grille. (Refer to Section 2.1.1)
3. Remove the cabinet. (Refer to Section 2.1.2)
4. Remove 2 screws that secure the control board to base pan and orifice. (See Figure 4)
5. Pull the control board toward yourself.

NOTE : Controls, wires, and capacitor are now accessible for servicing. Discharge the capacitor before servicing. See step 2.3.3 on page 8 for procedure.

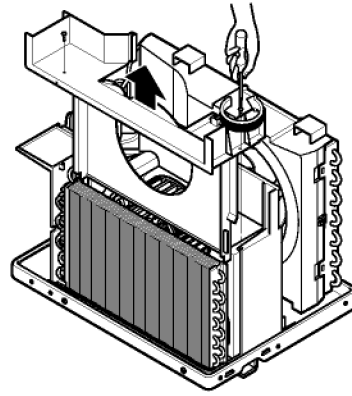
6. Disconnect one housing terminal and 3 wires for the fan motor and compressor. (See Figure 5)
7. Re-install components by referring to procedures above. (Refer to wiring diagram on page 23 in this manual or inside control board.)

2.2 AIR HANDLING PARTS

2.2.1 ORIFICE

1. Disconnect the unit from the power source.
2. Remove the front grille. (Refer to Section 2.1.1)
3. Remove the cabinet. (Refer to Section 2.1.2)
4. Remove the control board.
(Refer to Section 2.1.3)
5. Remove 2 screws that secure the orifice.
(See Figure 6)
6. Lift orifice upward.
7. Re-install by referring to the procedures above.

Figure 6



2.2.2 BLOWER WHEEL, FAN AND SHROUD

1. Disconnect the unit from the power source.
2. Remove the front grille. (Refer to Section 2.1.1)
3. Remove the cabinet. (Refer to Section 2.1.2)
4. Remove the control board.
(Refer to Section 2.1.3)
5. Remove the orifice. (Refer to Section 2.2.1)
6. Remove the screw that secures shroud and air guide. (Figure 7)
7. Remove 2 screws that secure the base pan.
(See Figure 8)
8. Remove the screw that secures the shroud to channel of condenser.
9. Press the snap area of shroud with your thumbs.
This allows you to remove it from the condenser.
10. Lift the compressor upward with the evaporator and condenser. (See Figure 8)
11. Remove the clamp springs which are clamped to the boss of fan and blower wheel by hand plier.
(See Figure 9)
12. Pull the fan and blower wheel outward tilting it forward yourself.
13. Remove the shroud.
14. Re-install by referring to the procedures above.

Figure 7

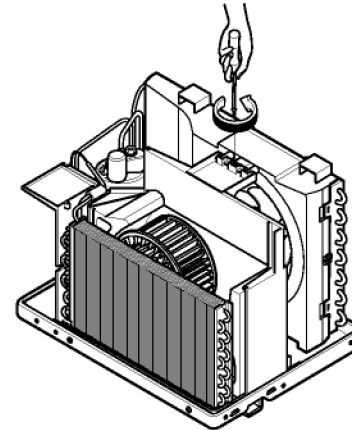


Figure 8

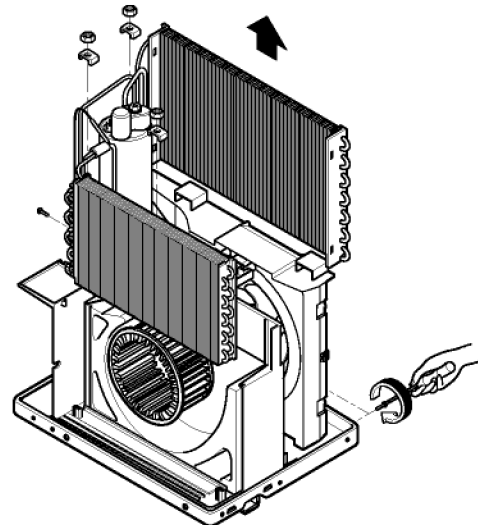
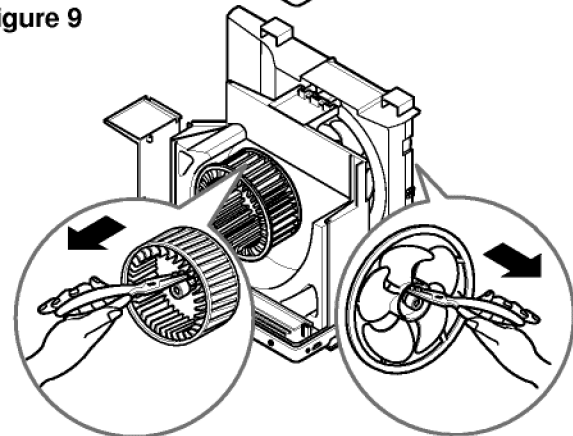


Figure 9



2.2.3 AIR GUIDE AND MOTOR

1. Disconnect the unit from the power source.
2. Remove the front grille. (Refer to Section 2.1.1)
3. Remove the cabinet. (Refer to Section 2.1.2)
4. Remove the control board.
(Refer to Section 2.1.3)
5. Remove the orifice. (Refer to Section 2.2.1)
6. Remove the compressor, evaporator and condenser. (Refer to Section 2.2.2)
7. Remove 2 screws that secure the motor to the air guide. (See Figure 10)
8. Separate the motor by pulling it backward.
9. Remove 2 screws that secure the air guide to the base fan. (See Figure 11)
10. Push the air guide backward and lift it upward.
(See Figure 11)
11. Re-install by referring to the procedures above.

Figure 10

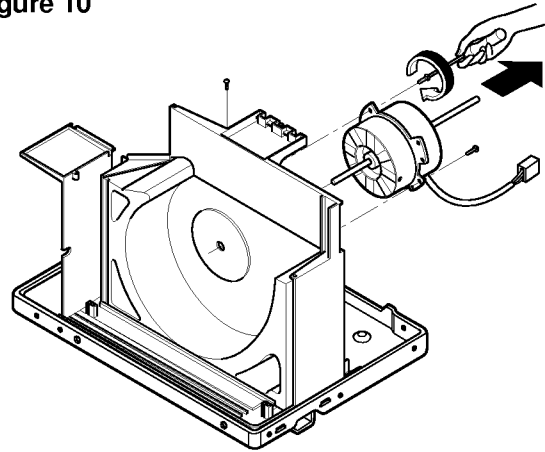
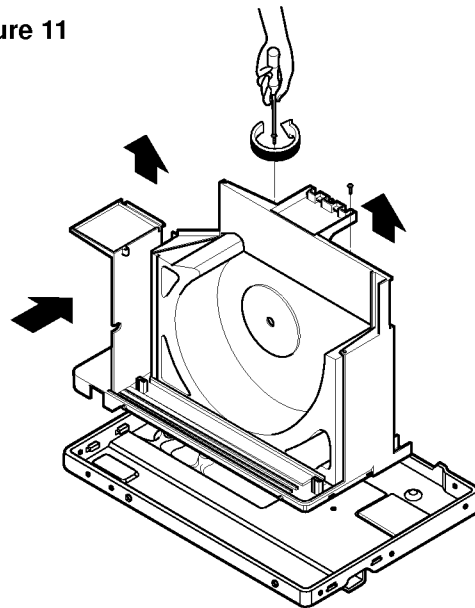


Figure 11



2.3 ELECTRICAL PARTS

2.3.1 OVERLOAD PROTECTOR

1. Remove the cabinet. (Refer to Section 2.1.2)
2. Remove the nut which fastens the terminal cover.
3. Remove the terminal cover.
4. Remove all the leads from the overload protector.
5. Remove the overload protector.
6. Re-install the components by referring to the removal procedure above.
(See Figure 12 and 13)

Figure 12

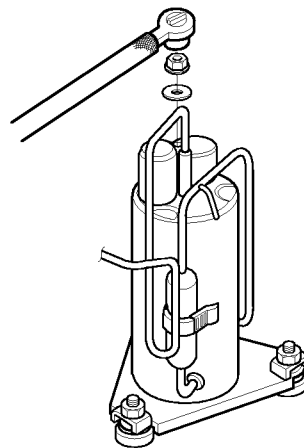
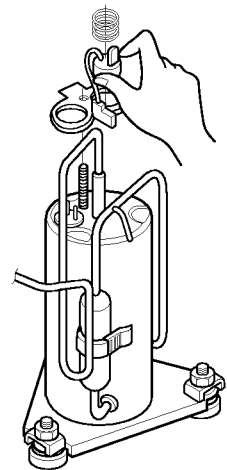


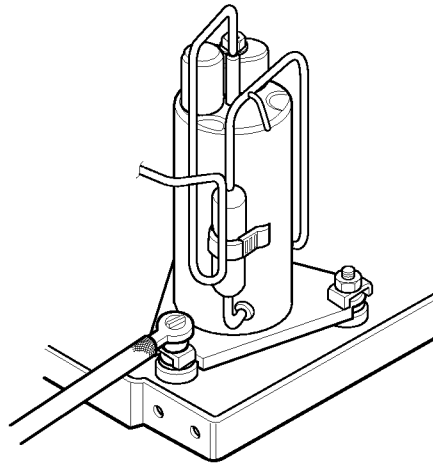
Figure 13



2.3.2 COMPRESSOR

1. Remove the cabinet. (Refer to Section 2.1.2)
2. Discharge the refrigerant by using a refrigerant recovery system.
3. Remove the overload protector.
(Refer to Section 2.3.1)
4. After discharging the unit completely, unbrace the suction and discharge pipes at the compressor connections.
5. Remove 3 nuts which fasten the compressor.
6. Remove the compressor.
7. Re-install by referring to the removal procedure above. (See Figure 14)

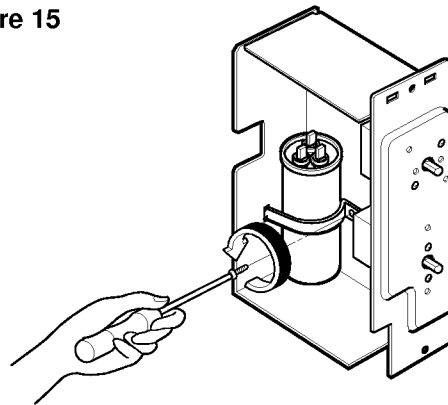
Figure 14



2.3.3 CAPACITOR

1. Remove the cabinet. (Refer to Section 2.1.2)
2. Remove the control board.
(Refer to Section 2.1.3)
3. Discharge the capacitor by placing a 20 K Ω resistor across the capacitor terminals.
4. Remove the screw which fastens the capacitor clamp. (See Figure 15)
5. Remove all the leads of capacitor terminals.
6. Remove the capacitor
7. Re-install the components by referring to the removal procedure above.

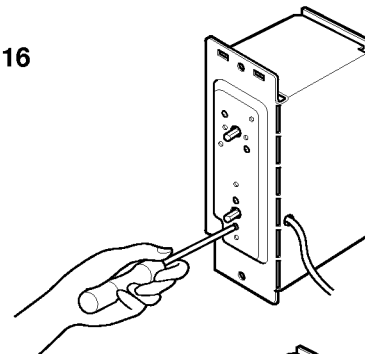
Figure 15



2.3.4 THERMOSTAT

1. Remove the cabinet. (Refer to Section 2.1.2)
2. Remove the control board.
(Refer to Section 2.1.3)
3. Remove 2 screws which fasten the thermostat.
(See Figure 16)
4. Remove all the leads of the thermostat terminals.
5. Remove the thermostat.
6. Re-install the components by referring to the removal procedure above.

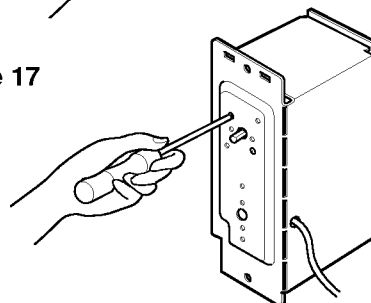
Figure 16



2.3.5 ROTARY SWITCH

1. Remove the cabinet. (Refer to Section 2.1.2)
2. Remove the control board.
(Refer to Section 2.1.3)
3. Remove 2 screws which fasten the rotary switch.
(See Figure 17)
4. Remove all the leads of the rotary switch terminals.
5. Remove the rotary switch.
6. Re-install the components by referring to the removal procedure above.

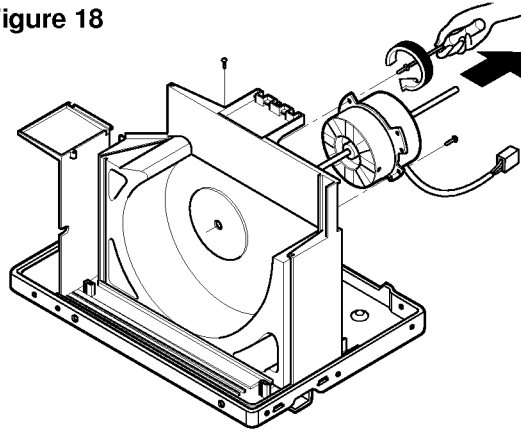
Figure 17



2.3.6 FAN MOTOR

1. Disconnect the unit from the power source.
2. Remove the front grille. (Refer to Section 2.1.1)
3. Remove the cabinet. (Refer to Section 2.1.2)
4. Remove the control board.
(Refer to Section 2.1.3)
5. Remove the orifice. (Refer to Section 2.2.1)
6. Remove the compressor, evaporator, and condenser. (Refer to Section 2.2.2)
7. Remove the fan and blower wheel.
(Refer to section 2.2.2)
8. Remove the motor. (Refer to Section 2.2.3)
9. Remove the air guide. (Refer to Section 2.2.3)
10. Re-install by referring to procedures above.

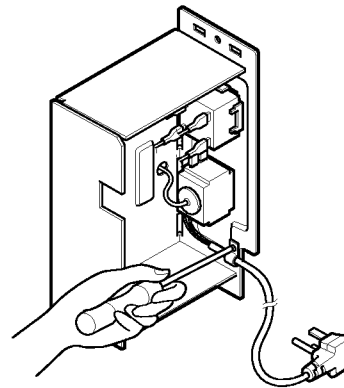
Figure 18



2.3.7 POWER CORD

1. Disconnect the unit from the power source.
2. Remove the front grille. (Refer to Section 2.1.1)
3. Remove the cabinet. (Refer to Section 2.1.2)
4. Remove 2 screws that secure control board to base pan and orifice (Refer to Section 2.1.3).
5. Pulls the control board toward you.
6. Disconnect the 2 receptacles and remove the grounding screw.
7. Remove a screw securing the clip with cord to the control board. (See Figure 19)
8. Pull the power cord.
9. Re-install by referring to procedures above.

Figure 19

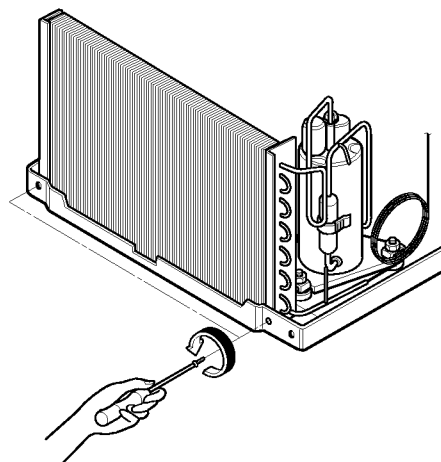


2.4 REFRIGERANT CYCLE

2.4.1 CONDENSER

1. Remove the cabinet. (Refer to Section 2.1.2)
2. Discharge the refrigerant by using a refrigerant recovery system.
3. Remove 2 screws which fasten the condenser.
(See Figure 20)
4. After discharging the refrigerant completely, unbrazed the interconnecting tube at the condenser connections.
5. Remove the condenser.
6. Re-install by referring to the procedures above.

Figure 20



2.4.2 EVAPORATOR

1. Remove the cabinet. (Refer to Section 2.1.2)
2. Discharge the refrigerant by using a refrigerant recovery system.
3. Remove the orifice. (Refer to Section 2.2.1)
4. After discharging the refrigerant completely, unbraid the interconnecting tube at the evaporator connections.
5. Remove the evaporator.
6. Re-install by referring to the procedures above.

2.4.3 CAPILLARY TUBE

1. Remove the cabinet. (Refer to Section 2.1.2)
2. Discharge the refrigerant by using a refrigerant recovery system.
3. Remove the orifice. (Refer to Section 2.2.1)
4. After discharging the refrigerant completely, unbraid the interconnecting tube of the capillary tube.
5. Remove the capillary tube.
6. Re-install by referring to the procedures above.

NOTES

Replacement of the refrigeration cycle.

1. When replacing the refrigerating cycle, be sure to discharge the refrigerant by using a refrigerant recovery system.
2. After discharging the unit completely, remove the desired components, and unbraid the pinch-off tubes.
3. Solder service valves into the pinch-off tube ports, leaving the valves open.
4. Solder the pinch-off tubes with service valves.
5. After doing the above procedures, the valve must be closed and left in place on the system for any subsequent procedures.
6. Evacuate as follows:
 - 6-1. Connect the vacuum pump, as illustrated figure 21A.
 - 6-2. Start the vacuum pump. Slowly open manifold valves A and B with two full turns counterclockwise and leave the valves closed.
The vacuum pump is now pulling through valves A and B up to valve C by means of manifold and the entire system.

CAUTION : If high vacuum equipment is used, just crack valves A and B for a few minutes, then open slowly with the two full turns counter-clockwise. This will keep oil from foaming and being drawn into the vacuum pump.

- 6-3. Operate the vacuum pump for 20 to 30 minutes, until 600 micron vacuum is obtained.
Close valves A and B and observe vacuum gauge for a few minutes.
A rise in pressure would indicate a possible leak or moisture remains in the system.
With valves A and B closed, stop the vacuum pump.
- 6-4. Remove the hose from the vacuum pump and place it on the charging cylinder. See figure 21B. Open valve C.
Discharge the line at the manifold connection.
- 6-5. The system is now ready for final charging.
7. Recharge as follows :
 - 7-1. Rotary compressor systems are charged from the high-side. If the total charge cannot be put in the high-side, the balance will be put in the suction line through the access valve which is installed as the system is opened.
 - 7-2. Connect the charging cylinder as shown in figure 21B. With valve C open, discharge the hose at the manifold connection.
 - 7-3. Open valve A and allow the proper charge to enter the system. Valve B is still closed.
 - 7-4. If more charge is required, the high-side will not take it. Close valve A.
 - 7-5. With the unit running, open valve B and add the balance of the charge.
 - a. Do not add the liquid refrigerant to the low-side.
 - b. Watch the low-side gauge, allow pressure to rise to 30 lbs.
 - c. Turn off valve B and allow the pressure to drop.
 - d. Repeat steps B and C until the balance of the charge is in the system.
 - 7-6. When the unit is operating correctly, use the pinch-off tool with the unit still running and the clamp on the pinch-off tube. Using a tube cutter, cut the pinch-off tube about 2 inches from the pinch-off tool. Use sil-fos solder and solder the pinch-off tube closed. Turn off the unit, allow setting for a while and then test the leakage of the pinch-off connection.

Equipment needed: Vacuum pump, charging cylinder, manifold gauge, brazing equipment, pinch-off tool capable of making a vapor proof seal, leak detector, tubing cutter, hand tools to remove components, service valve.

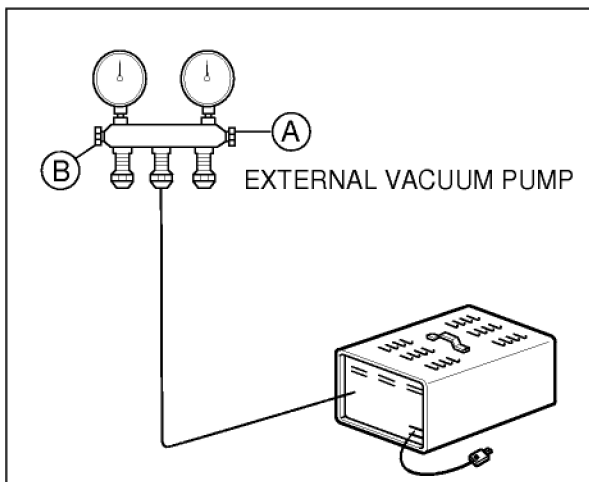
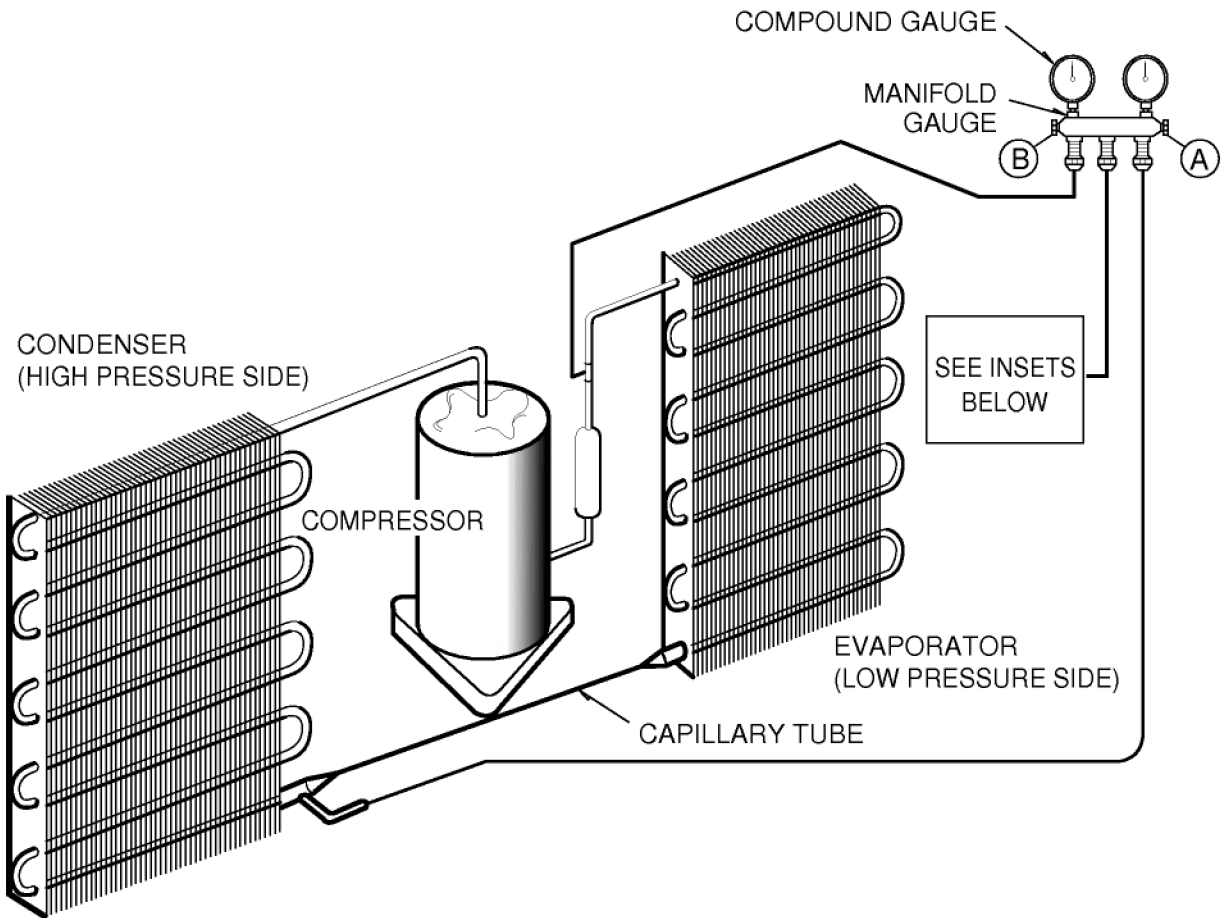


Figure 21A-Pulling Vacuum

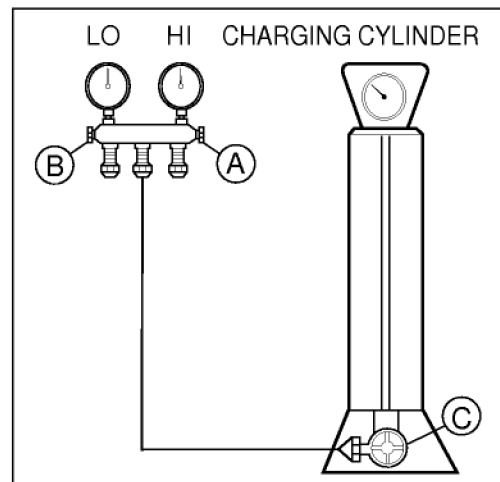


Figure 21B-Charging

3. INSTALLATION

This air conditioner is designed with a button-down chassis so that it can be installed simply in a window.

3-1. SELECT THE BEST LOCATION

1. To prevent vibration and noise, make sure the unit is installed securely and firmly.
2. Install the unit where the sunlight does not shine directly on the unit.
3. The outside of the cabinet must extend outward for at least 10" and there should be no obstacles, such as a fence or wall, within 20" from the back of the cabinet because it will prevent heat radiation of the condenser.
Restriction of outside air will greatly reduce the cooling efficiency of the air conditioner.

CAUTION

All side louvers of the cabinet must remain exposed to the outside of the structure.

4. Install the unit a little slanted so the back is slightly lower than the front (about 1/4"). This will force condensed water to the outside.
5. Install the unit with the bottom about 30" - 60" above the floor level.

3-2. CHECK OF INSTALLATION

The setting conditions must be checked prior to initial starting.

The under mentioned items are especially important checking points when the installation is finished.

1. Grounding wire (Green or Green Yellow) is provided in the power cord. The green wire must be grounded.
2. Connect to a single-outlet 15AMP circuit.
3. To avoid vibration or noise, make sure the air conditioner is installed securely.
4. Avoid placing furniture or drape in front of the air inlet and outlet.

3.3 HOW TO USE DRAIN

(When using drain pipe)

The air conditioner must be installed level or tilted slightly to the outside for proper water drainage. On exceptionally hot and humid days the air conditioner may drain condensation water through overflow. If the air conditioner is used in hot and a high humidity zone, exchange the ① HOLE RUBBER for the ② DRAIN PIPE. (See figure 23, figure 24)

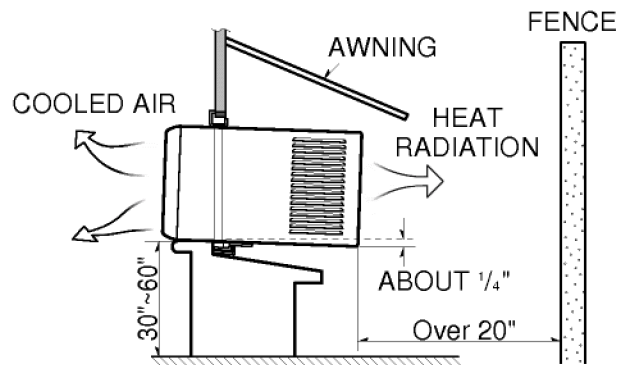


Figure 22

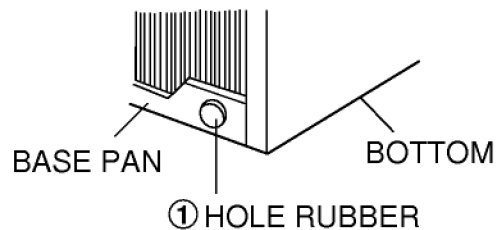


Figure 23

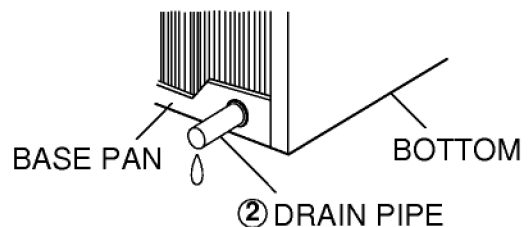


Figure 24

3.4 HOW TO INSTALL • WHEN USING GASKET

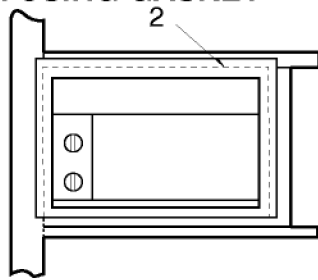


Figure 25

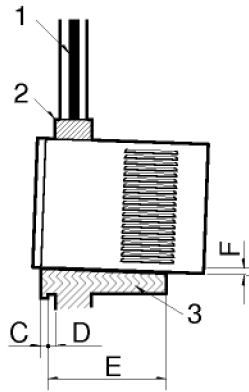


Figure 26

1. WINDOW (A - WIDTH, B - HEIGHT)
2. GASKET
3. WALL

A	B	C	D	E	F	G
487mm (19 ³ / ₁₆ "	324mm (12 ³ / ₄ "	30mm (1 ¹ / ₁₆ "	0 25mm (0 1")	OVER 240mm (9 ¹⁵ / ₃₂ "	5 10mm (³ / ₁₆ " - ³ / ₈ "	-5 5mm (- ³ / ₁₆ " - ³ / ₁₆ "

• WHEN USING INSTALLATION KITS.

A. WINDOW REQUIREMENTS

NOTE: All supporting parts should be secured to firm wood, masonry, or metal.

1. This unit is designed for installation in standard double-hung windows with actual opening widths of 22" to 36". The upper and lower sash must open sufficiently to allow a clear vertical opening of 14" from the bottom of the sash to the window stool. (Figure 27)
2. If storm window presents interference, fasten a 2" wide wood strip (OUTER SILL) to inner window sill across the full width of the sill. Wood strip should be thick enough to raise the height of the window sill so that the unit can be installed without interference by the storm window frame. See figure 25. Top of wood strip should be approximately 3/4" higher than storm window frame (STORM WINDOW FRAME) or wood strip (OUTDOORS) to help unit condensation to drain properly to the outside.
3. Install a second wood strip (approximately 6" long, 1-1/2" wide, and same thickness as first strip) in the center of the outer sill flush against the back off the inner sill. This will raise the L bracket as shown figure 27.
4. If the distance between STORM WINDOW FRAME and WOOD STRIP MOUNTED ON TOP OF INNER SILL is more than 1", two of wood strip are not necessary.

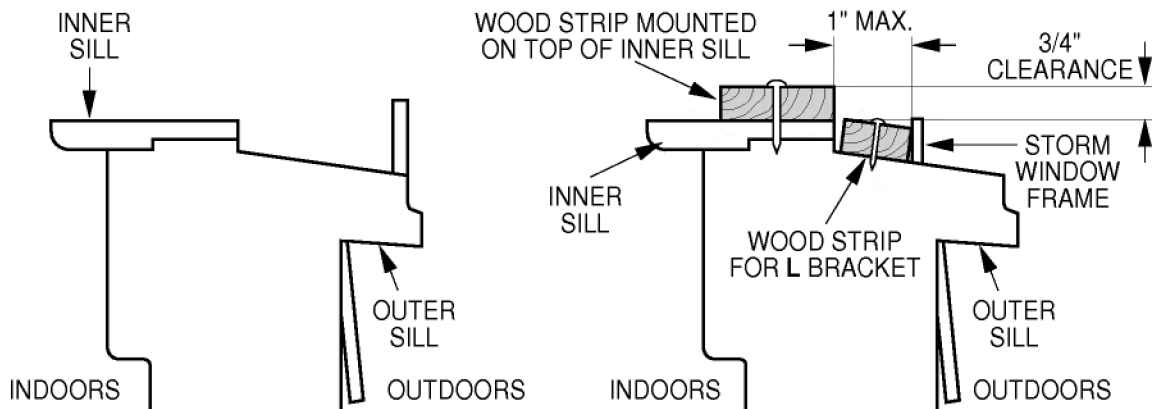
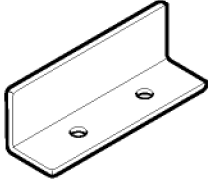



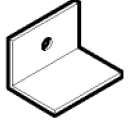


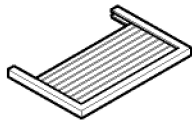



Figure 27

B. INSTALLATION

HARDWARE				
TYPE A: 1EA (L BRACKET)	TYPE B: 2EA (MIDDLE SCREW)	TYPE C: 9EA (SHORT SCREW)	TYPE D: 4EA (WOOD SCREW)	
				
TYPE E: 1EA (SASH LOCK)	TYPE F: 1EA (SEAL STRIP) (Adhesive backed)	TYPE G: 1EA (SASH SEAL) (Not adhesive backed)	TYPE H: 2EA (GUIDE PANEL)	TYPE J: 1EA (DRAIN PIPE)
				

C. BEFORE INSTALLATION...

1. Insert the guide panels into the guides of the air conditioner. Fasten the curtains to the unit with screws (TYPE C), as shown Figure 28.
2. Cut the adhesive-backed seal strip (TYPE F) to the window width.
Remove the backing from the seal strip and attach the seal strip to the underside of the bottom window. (Figure 29)

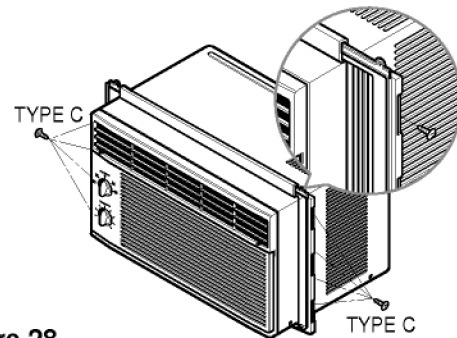


Figure 28

D. NOW START INSTALLATION

1. LOCATING UNIT IN WINDOW

Open the window and mark line 1 on the center of the stool, as shown in Figure 30.

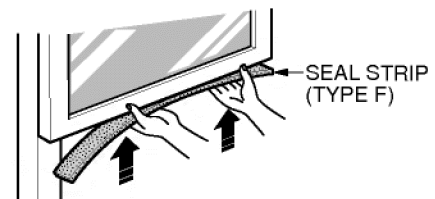


Figure 29

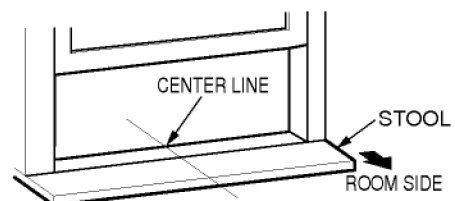


Figure 30

2. ATTACH L BRACKET

- The units install **L** bracket center in back of inner window sill, with short side of bracket to the outside. Use the 2 screws (type B) provided.
- Bracket helps to hold unit securely in place. Be sure to place bracket edge flush against back of inner sill. See Figure 31.

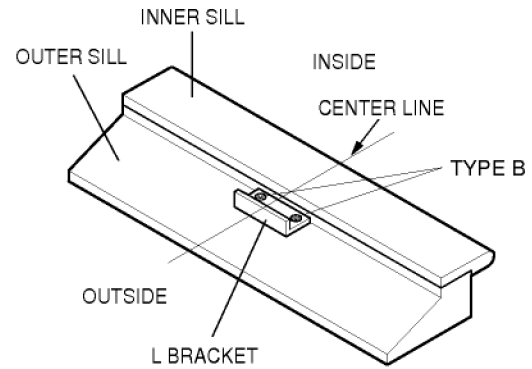


Figure 31

3. INSTALL THE AIR CONDITIONER IN THE WINDOW

- Carefully lift the air conditioner and slide it into the open window. Make sure the notch of the bottom guide fits over the **L** bracket and pops into place. See Figure 31.

CAUTION

During the following step, hold unit firmly until window sash is lowered to top channel behind side panel frames. Personal injury or property damage may result if unit falls from window.

IMPORTANT :

When the air conditioner drops into the **L** bracket, the air conditioner will be centered in window opening as shown in Figure 32.

- While steadying the air conditioner, carefully bring the window sash down behind the upper guide of the air conditioner, as shown in Figure 33.

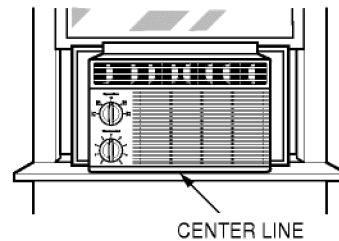


Figure 32

4. SECURE THE GUIDE PANELS

Extend the guide panels to fill the window opening using 4 screws (TYPE D) to secure them, as shown in Figure 34.

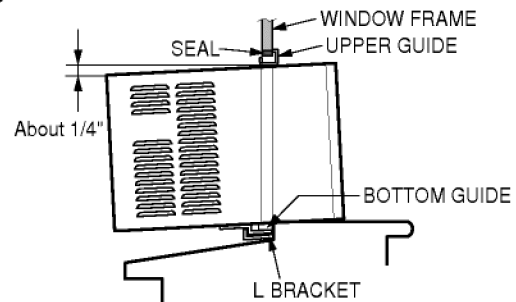


Figure 33

5. INSTALL THE SASH SEAL AND SASH LOCK

- Cut the sash seal to the window width. Stuff the sash seal between the glass and the window to prevent air and insects from getting into the room, as shown in Figure 34.
- Fasten the sash lock using a TYPE D screw, as shown in Figure 34.

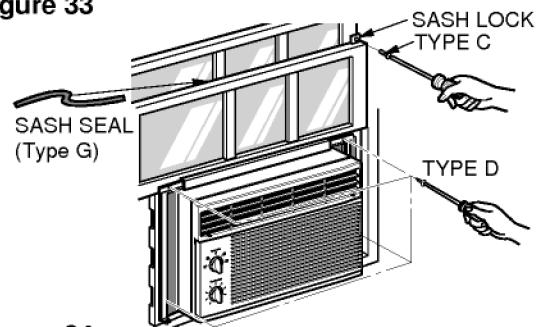


Figure 34

- Window installation of room air conditioner is now completed. See ELECTRICAL DATA for attaching power cord to electrical outlet.

E. HOW TO SECURE THE DRAIN PIPE

In humid weather, excess water may cause the **BASE PAN** to overflow. To drain the water, remove the **DRAIN CAP** and secure the **DRAIN PIPE** to the rear hole of the **BASE PAN**. See Figure 35.

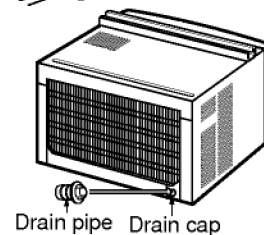
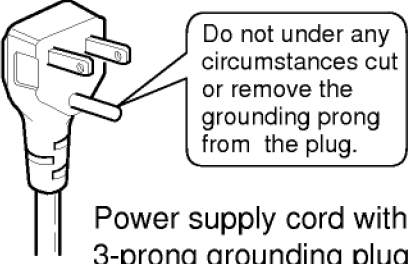



Figure 35

REMOVAL FROM WINDOW

Turn the air conditioner off, disconnect the power cord, remove the sash lock and the screws installed through the top and bottom of the guide panels, and save for reinstallation later. Close the guide panels. Keeping a firm grip on the air conditioner, raise the sash, and carefully tilt the air conditioner backward, draining any condensate water. Slide the air conditioner one inch to the right and then lift the air conditioner from the window and remove the sash seal from between the windows.

F. ELECTRICAL DATA

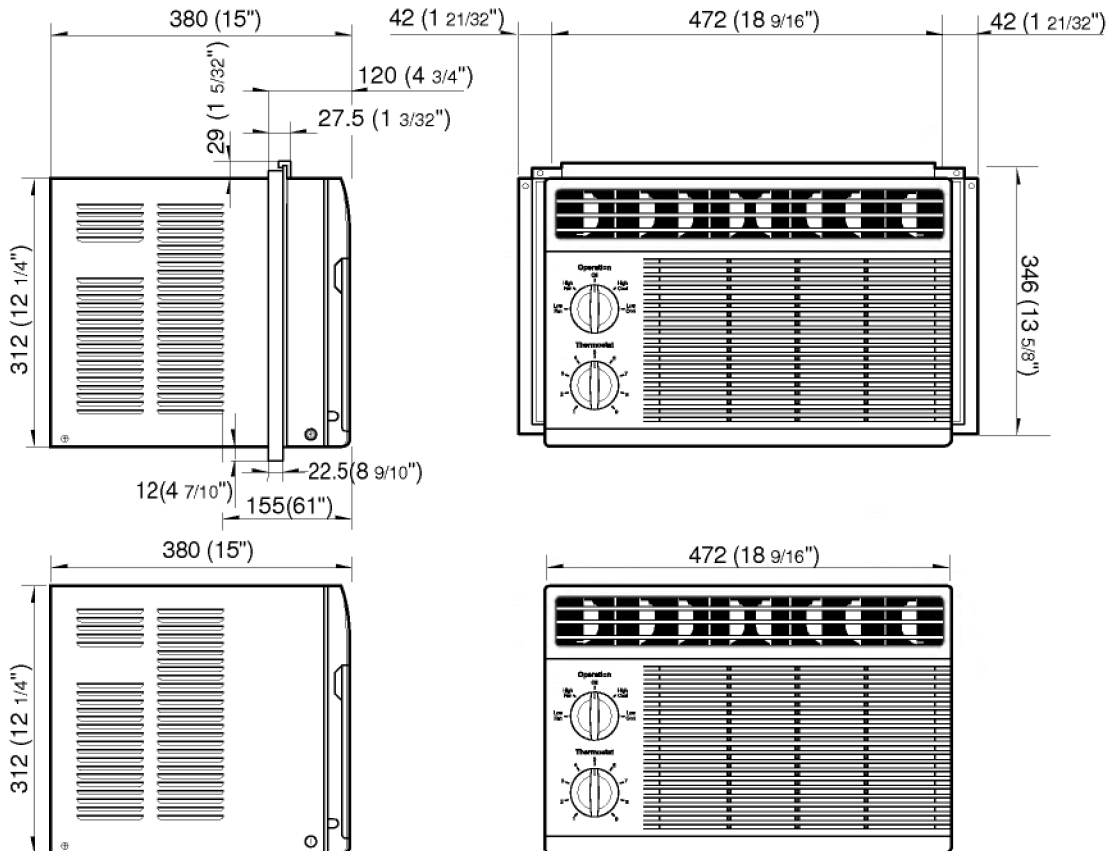
Line Cord Plug	Use Wall Receptacle	Power Supply
 <p>Do not under any circumstances cut or remove the grounding prong from the plug.</p> <p>Power supply cord with 3-prong grounding plug</p>	 <p>Standard 125V, 3-wire grounding receptacle rated 15A, 125V AC</p>	<p>Use 15 AMP, time delay fuse, or circuit breaker.</p>

Use of extension cords

Because of potential safety hazards, we strongly discourage the use of an extension cord. However, if you wish to use an extension cord, use a CSA certified/UL-listed 3-wire (grounding) extension cord, rated 15A, 125V.

4. TROUBLESHOOTING GUIDE

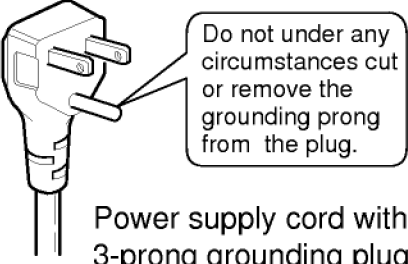

4.1 OUTSIDE DIMENSIONS (unit: mm [in])



REMOVAL FROM WINDOW

Turn the air conditioner off, disconnect the power cord, remove the sash lock and the screws installed through the top and bottom of the guide panels, and save for reinstallation later. Close the guide panels. Keeping a firm grip on the air conditioner, raise the sash, and carefully tilt the air conditioner backward, draining any condensate water. Slide the air conditioner one inch to the right and then lift the air conditioner from the window and remove the sash seal from between the windows.

F. ELECTRICAL DATA

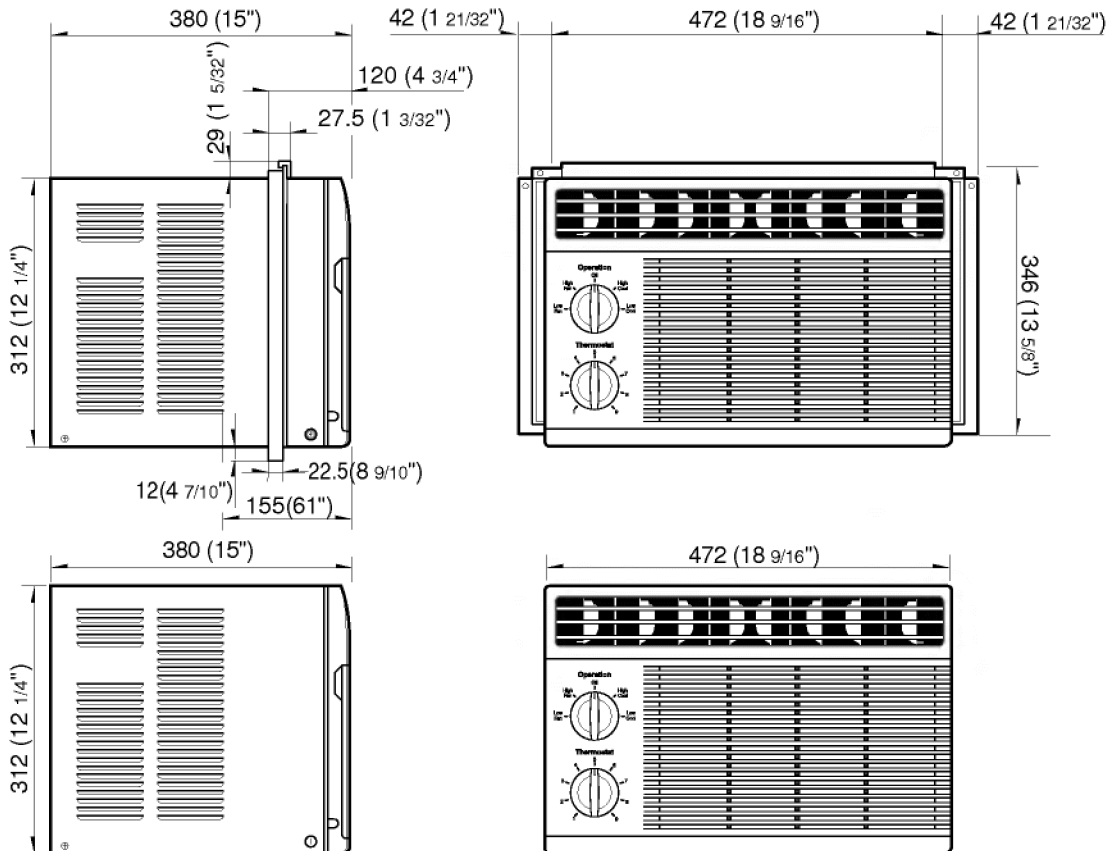
Line Cord Plug	Use Wall Receptacle	Power Supply
 <p>Do not under any circumstances cut or remove the grounding prong from the plug.</p> <p>Power supply cord with 3-prong grounding plug</p>	 <p>Standard 125V, 3-wire grounding receptacle rated 15A, 125V AC</p>	<p>Use 15 AMP, time delay fuse, or circuit breaker.</p>

Use of extension cords

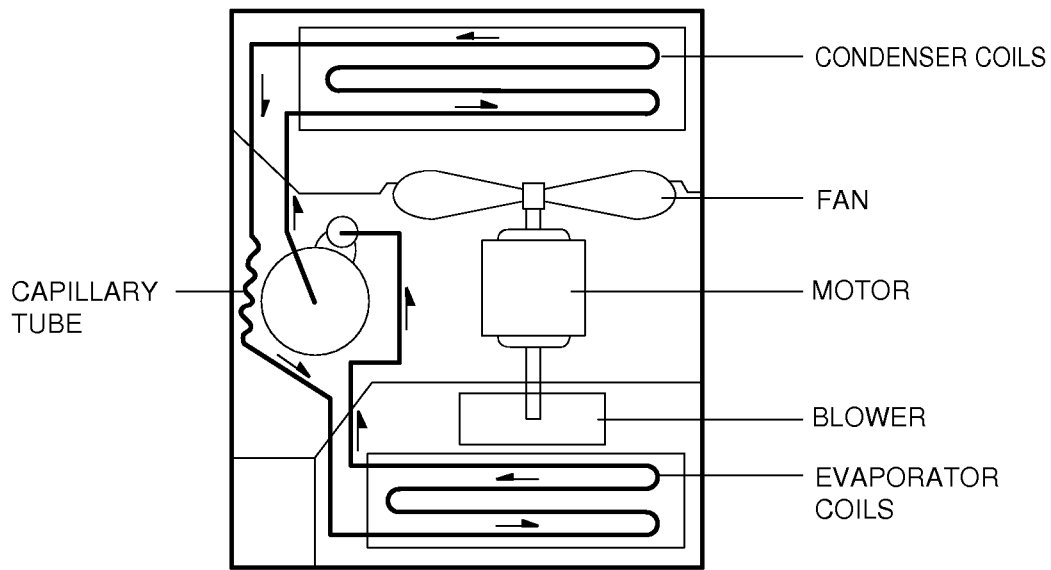
Because of potential safety hazards, we strongly discourage the use of an extension cord. However, if you wish to use an extension cord, use a CSA certified/UL-listed 3-wire (grounding) extension cord, rated 15A, 125V.

4. TROUBLESHOOTING GUIDE

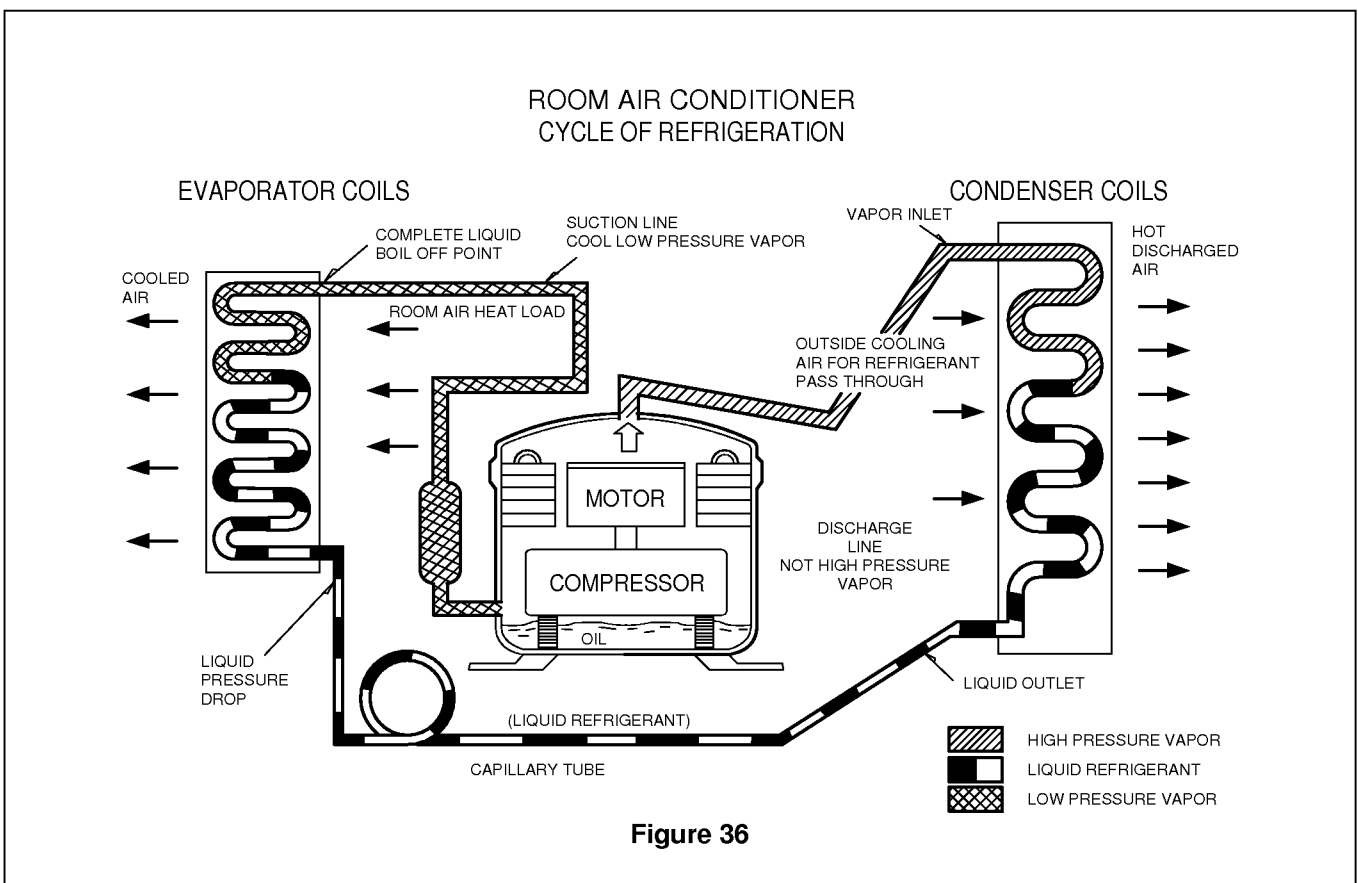
4.1 OUTSIDE DIMENSIONS (unit: mm [in])



4.2 PIPING SYSTEM



Following is a brief description of the important components and their function in what is called the refrigeration system. Reference should be made to Figure 36 to follow the refrigerating cycle and the flow of the refrigerant in the cooling cycle.

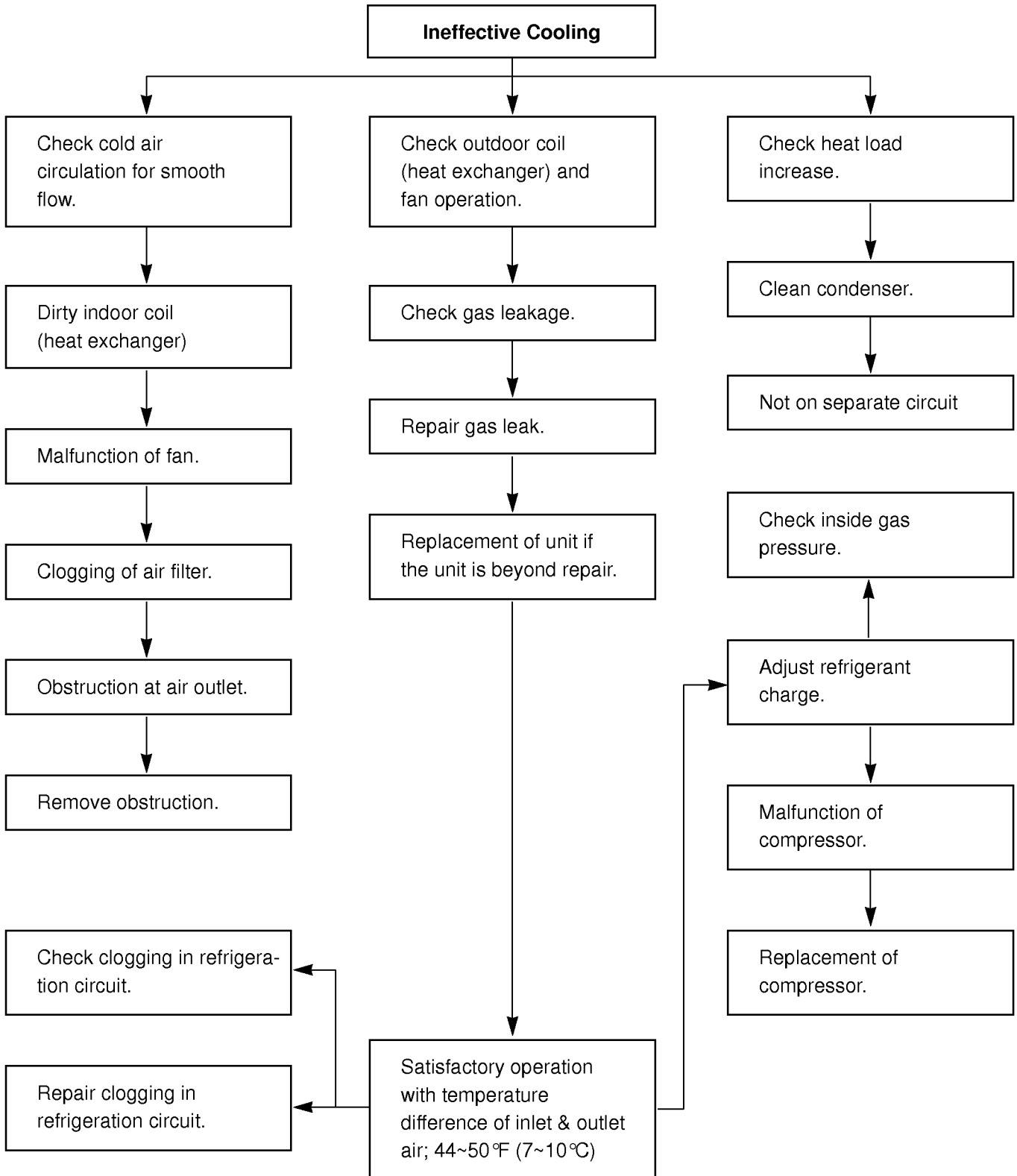


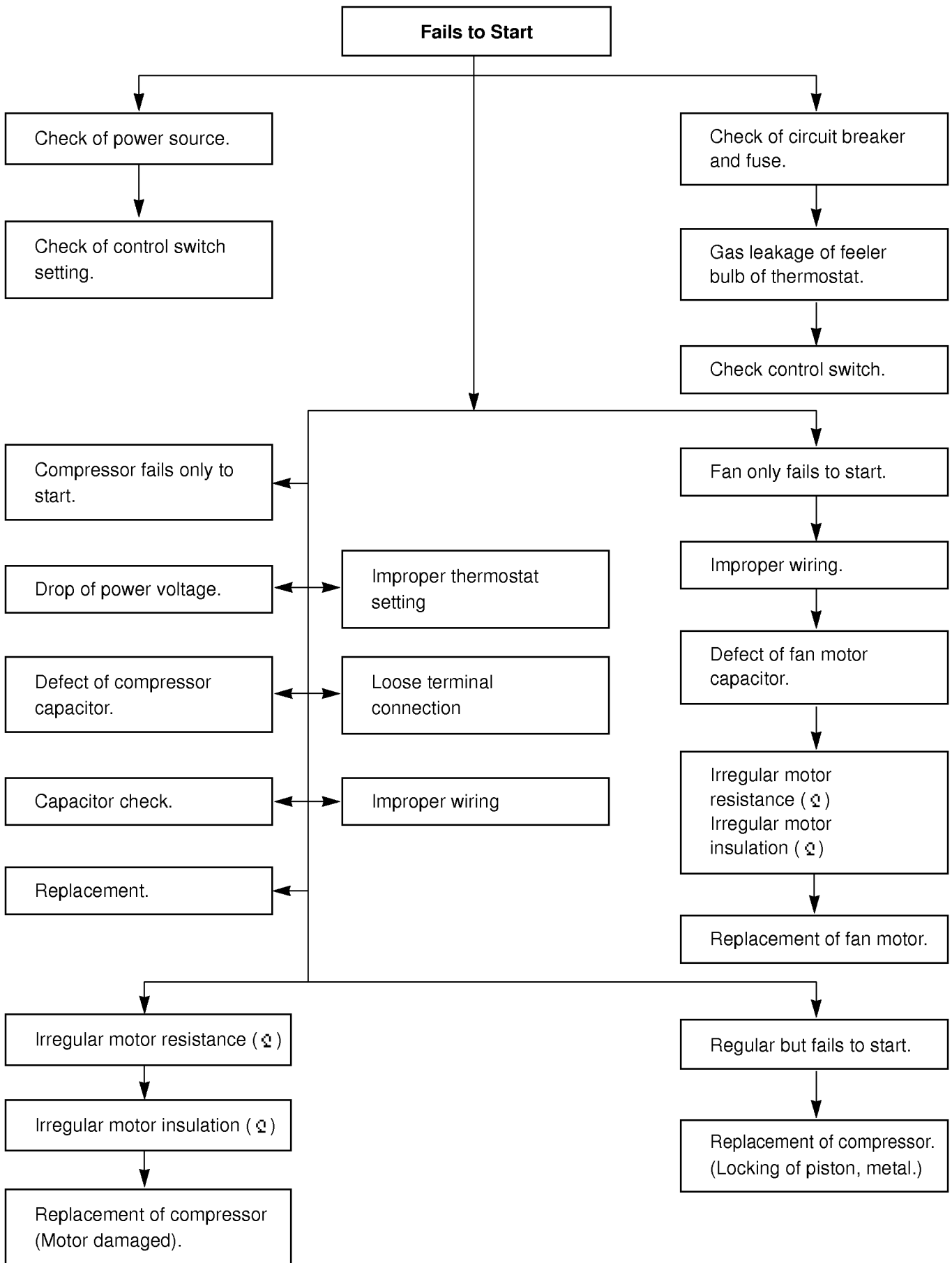
4.3 TROUBLESHOOTING GUIDE

In general, possible trouble is classified in two kinds.

The one is called **Starting Failure** which is caused by an electrical defect. The other is **Ineffective Air Conditioning** caused by a defect in the refrigeration circuit and improper application.

Unit is running but cooling is ineffective.





ROOM AIR CONDITIONER VOLTAGE LIMITS

NAME PLATE RATING	MINIMUM	MAXIMUM
115V ± 10%	103.5V	126.5V
220V~240V ± 10%	198V	264V

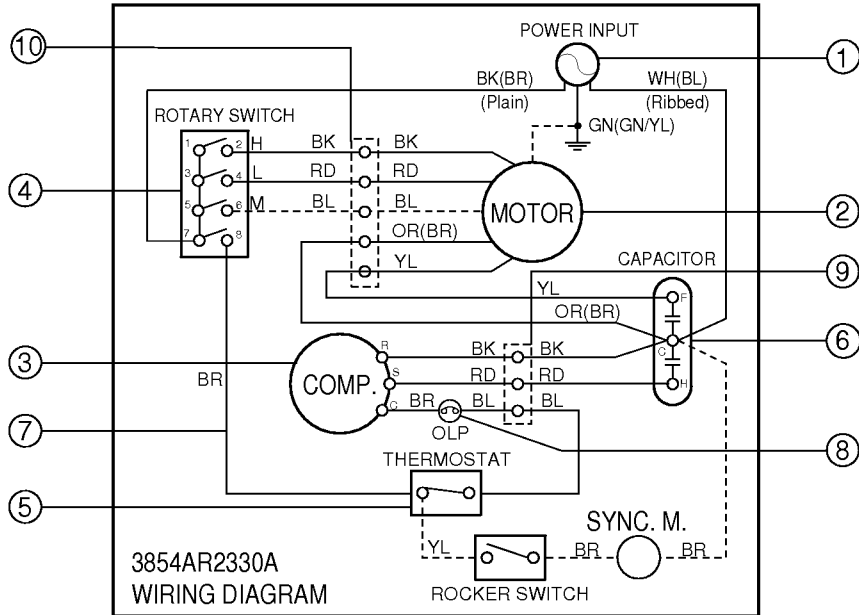
COMPLAINT	CAUSE	REMEDY
Fan motor will not run.	No power	Check voltage at outlet. Correct if none.
	Power supply cord	Check voltage to rotary switch. If none, check power supply cord. Replace cord if circuit is open.
	Rotary switch	Check switch continuity. Refer to wiring diagram for terminal identification. Replace switch if defective.
	Wire disconnected or connection loose	Connect wire. Refer to wiring diagram for terminal identification. Repair or replace loose terminal.
	Capacitor. (Discharge capacitor before testing.)	Test capacitor. Replace if not within $\pm 10\%$ of manufacturer's rating. Replace if shorted, open, or damaged.
	Will not rotate	Fan blade hitting shroud or blower wheel hitting scroll. Re-align assembly. Units using slinger ring condenser fans must have 0.22~0.25 inch clearance to the base. If necessary, shim up the bottom of the fan motor with mounting screw(s). Check fan motor bearings; if motor shaft will not rotate, replace the motor.
Fan motor runs.	Revolves on overload.	Check voltage. See limits on this page. If not within limits, call an electrician. Test capacitor. Check bearings. Does the fan blade rotate freely? If not, replace fan motor. Pay attention to any change from high speed to low speed. If the speed does not change, replace the motor.

COMPLAINT	CAUSE	REMEDY
Fan motor noise.	Fan	If cracked, out of balance, or partially missing, replace it.
	Blower	If cracked, out of balance, or partially missing, replace it.
	Loose set screw	Tighten it.
	Worn bearings	If knocking sounds continue when running or loose, replace the motor. If the motor hums or noise appears to be internal while running, replace motor.
Compressor will not run, fan motor runs.	Voltage	Check voltage. See the limits on the preceding page. If not within limits, call an electrician.
	Wiring	Check the wire connections; if loose, repair or replace the terminal. If the wires are disconnected, refer to wiring diagram for identification, and replace the wires. Check the wire connections; If not according to the wiring diagram, correct the connections.
	Rotary	Check for continuity, refer to the wiring diagram for terminal identification. Replace the switch if the circuit is open.
	Thermostat	Check the position of knob. If not at the coldest setting, advance the knob to this setting and restart the unit.
		Check the continuity of the thermostat. Replace the thermostat if the circuit is open.
	Capacitor (discharge capacitor before servicing.)	Check the capacitor. Replace if not within $\pm 10\%$ of manufacturer's rating, replace if shorted, open, or damaged.
	Compressor	Check the compressor for open circuit or ground. If open or grounded, replace the compressor.
	Overload	Check the compressor overload if externally mounted. Replace if open. (If the compressor temperature is high, remove the overload, cool, and retest.)
Compressor cycles on overload.	Voltage	Check the voltage. See the limits on the preceding page. If voltage is not within these limits, call an electrician.
	Overload	Check overload, if externally mounted. Replace if open. (If the compressor temperature is high, remove the overload, cool, and retest.)

COMPLAINT	CAUSE	REMEDY
Compressor cycles on overload	Fan motor	If not running, determine the cause. Replace if required.
	Condenser air flow restriction	Remove the cabinet, inspect the interior surface of the condenser. If restricted, clean carefully with a vacuum cleaner (do not damage fins) or brush. Clean the interior base before re-assembling.
	Condenser fins (damaged)	If the condenser fins are closed over a large area on the coil surface, head pressures will increase, causing the compressor to cycle. Straighten the fins or replace the coil.
	Capacitor	Test the capacitor.
	Wiring	Check the terminals. If loose, repair or replace.
	Refrigeration system	Check the system for a restriction.
Insufficient cooling.	Air filter	If restricted, clean or replace.
	Unit undersized	Determine if the unit is properly sized for the area to be cooled.
Excessive noise.	Blower or fan	Check the set screw, or clamp. If loose or missing, correct. If the blower or fan is hitting scroll or barrier, rearrange the air handling parts.
	Copper tubing	Remove the cabinet and carefully rearrange the tubing not to contact the cabinet, compressor, shroud, and barrier.

5. CIRCUIT DIAGRAM

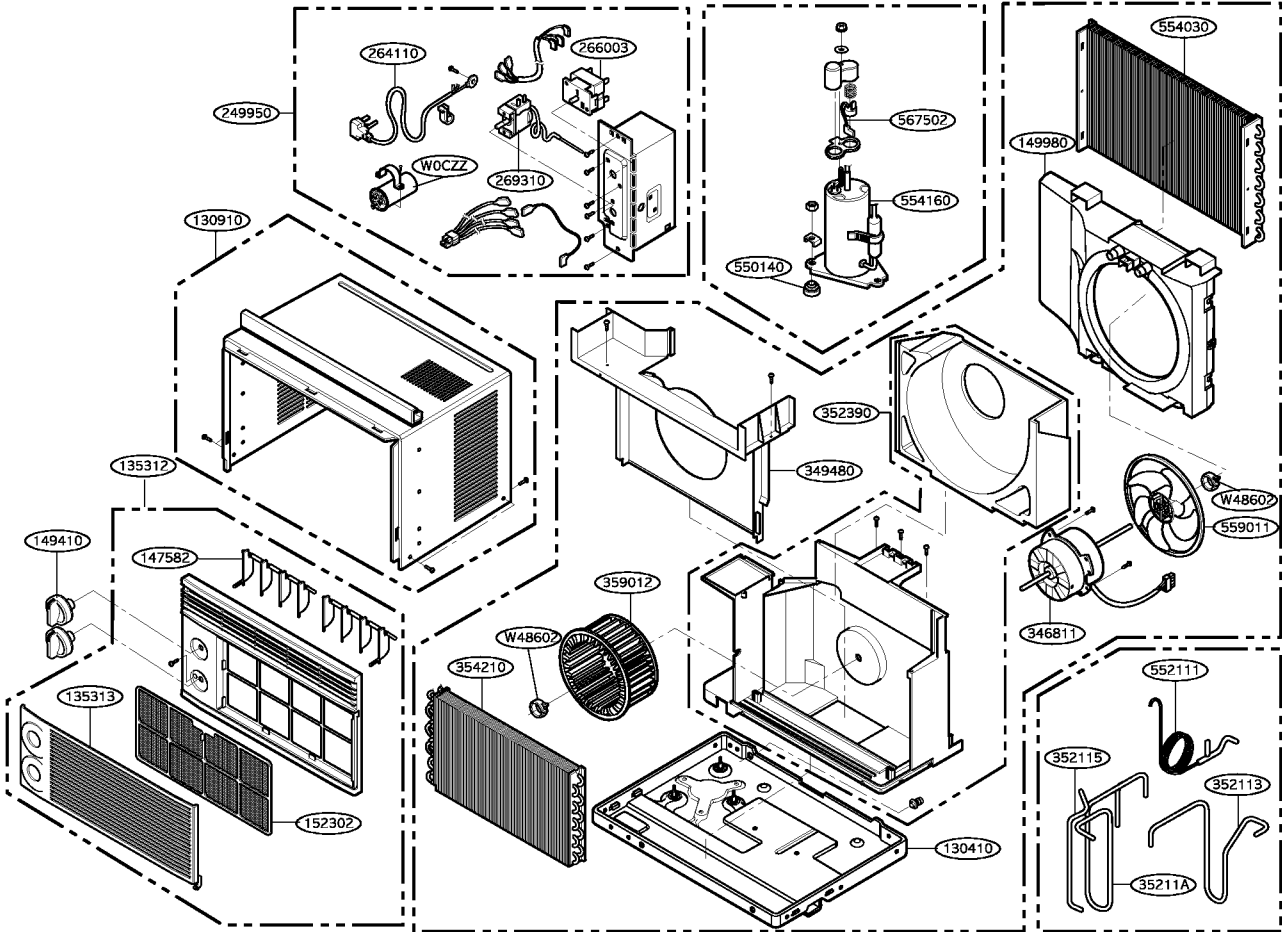
- MODEL : LWH0510ACG/ LWH0510ACL
LWH0511ACG/ LWH0511ACL



LOCATION NO.	DESCRIPTION	PART NO.		QTY PER SET
		LWH0510ACG/ LWH0510ACL	LWH0511ACG/ LWH0511ACL	
1	POWER CORD ASSEMBLY	2H00677P		1
2	FAN MOTOR	4681A20001A		1
3	COMPRESSOR	5416A20001A	546A20001B	1
4	ROTARY SWITCH	2H00154H		1
5	THERMOSTAT	2H01109H		1
6	CAPACITOR	6120AR2194A		1
7	CONDUCTOR ASSEMBLY	2H01045E		1
8	OVERLOAD PROTECTOR	67504-L004A		1
9	CONNECTOR ASSEMBLY	6631AR3843K		1
10	CONNECTOR ASSEMBLY	6877A20001A		1

Exploded View & Replacement Parts List

Exploded View LWH0514ACG.WYCLPS



Parts List

LOCATION NO	PART NO	DESCRIPTION	REMARKS
130410	3041AR6199K	BASE ASSY,SINGLE	R
130910	3091AR6055E	CABINET ASSY,SINGLE	R
135312	3531AR1644C	GRILLE ASSY,FRONT(SINGLE)	R
135313	3530AR1616A	GRILLE ASSY,INLET	R
147582	5990AR3190A	VANE,VERTICAL	R
149410	4941AR7315A	KNOB ASSY	R
149980	4998AR1608A	SHROUD	R
152302	5231AR2148A	FILTER(MECH),A/C	R
249950	4995AR6202A	CONTROL BOX ASSY,SINGLE	R
264110	2H00677P	POWER CORD ASSY	R
266003	2H00154H	SWITCH,ROTARY	R
269310	2H01109H	THERMOSTAT ASSY	R
346811	4681A20001F	MOTOR ASSY,SINGLE	R
349480	4948AR6166A	ORFICE	R
352113	5210A30001C	TUBE,DISCHARGE	R
352115	5211A30115A	TUBE ASSY,EVAPORATOR IN	R
35211A	5211A30116A	TUBE ASSY,SUCTION INDOOR	R
352390	5239AR3429A	AIR GUIDE ASSY	R
354210	5421A20016C	EVAPORATOR ASSY	R
359012	5834AR1592A	FAN ASSY,BLOWER	R
550140	5040AR4195A	ISOLATOR,COMP	R
552111	5211AR3332N	TUBE ASSY,CAPILLARY	R
554030	5403A20009C	CONDENSER ASSY	R
554160	5416A20001D	COMPRESSOR	R
559011	5900AR1594A	FAN ASSY,AXIAL	R
567502	6750U-L004A	0.L.P	R
W0CZZ	6120AR2359W	CAPACITOR	R
W48602	3H02932B	CLAMP,SPRING	R