

This Owner's Manual is provided and hosted by [Appliance Factory Parts](#).



AMANA AMC7159TAB Owner's Manual

[Shop genuine replacement parts for AMANA
AMC7159TAB](#)



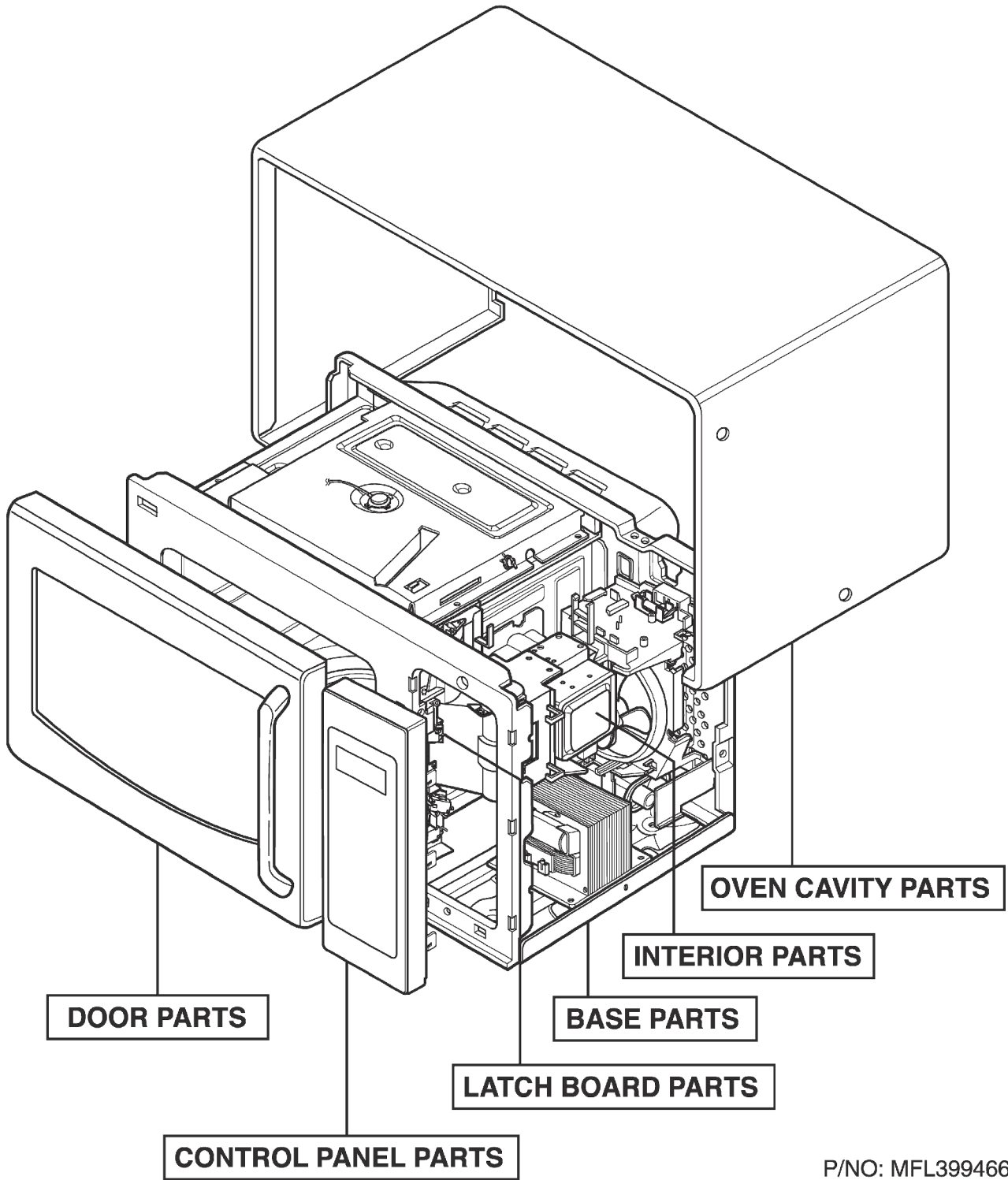
[Find Your AMANA Microwave Parts - Select From 149 Models](#)

----- Manual continues below -----

EXPLODED VIEW

INTRODUCTION

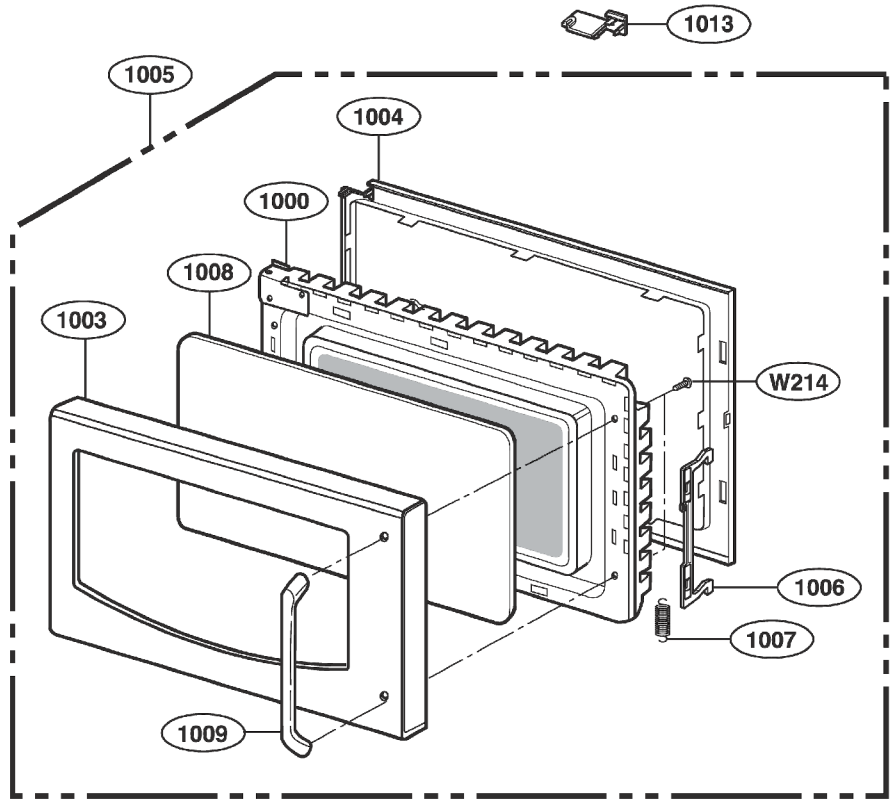
Model : AMC7159TAB
AMC7159TAS



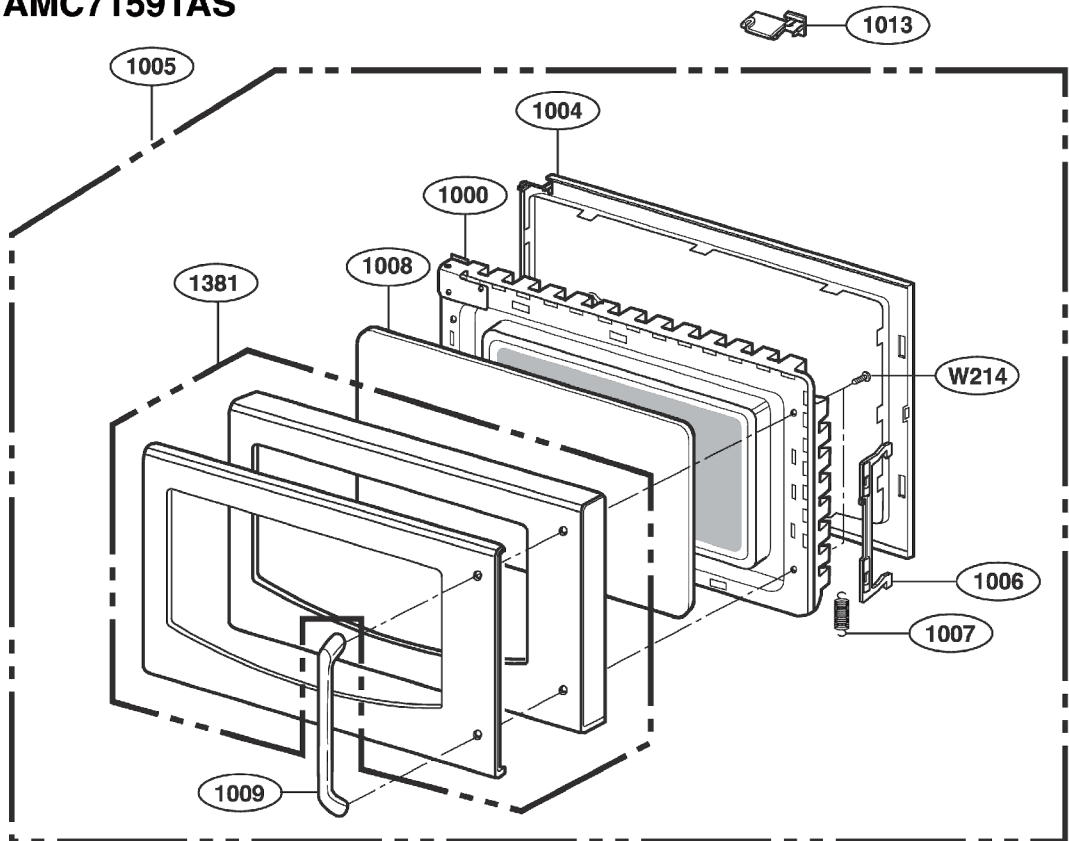
P/NO: MFL39946601

DOOR PARTS

For Model : AMC7159TAB

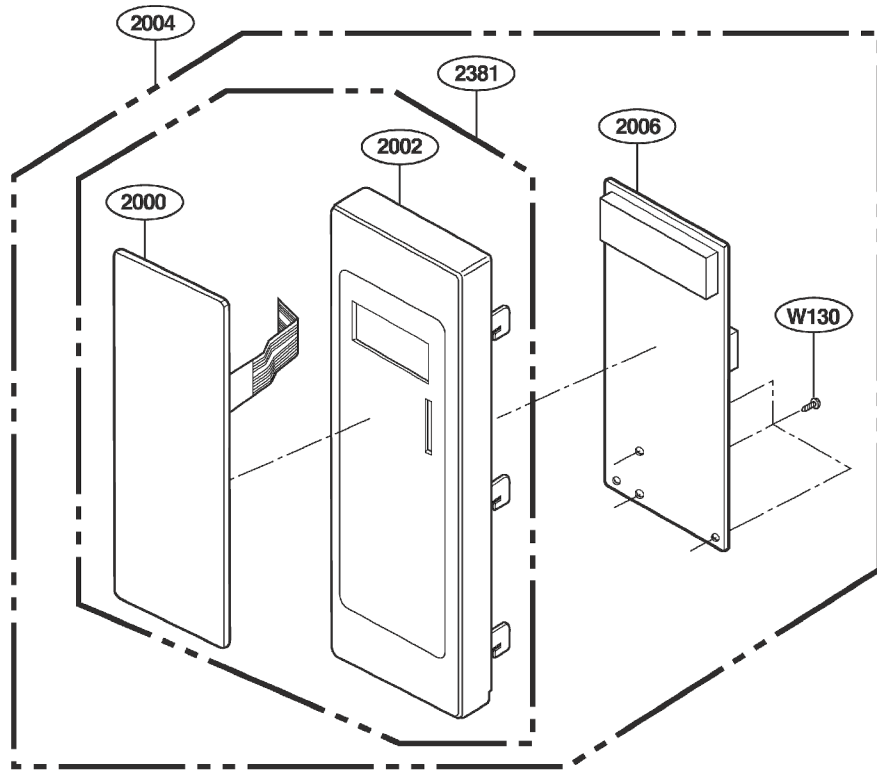


For Model : AMC7159TAS

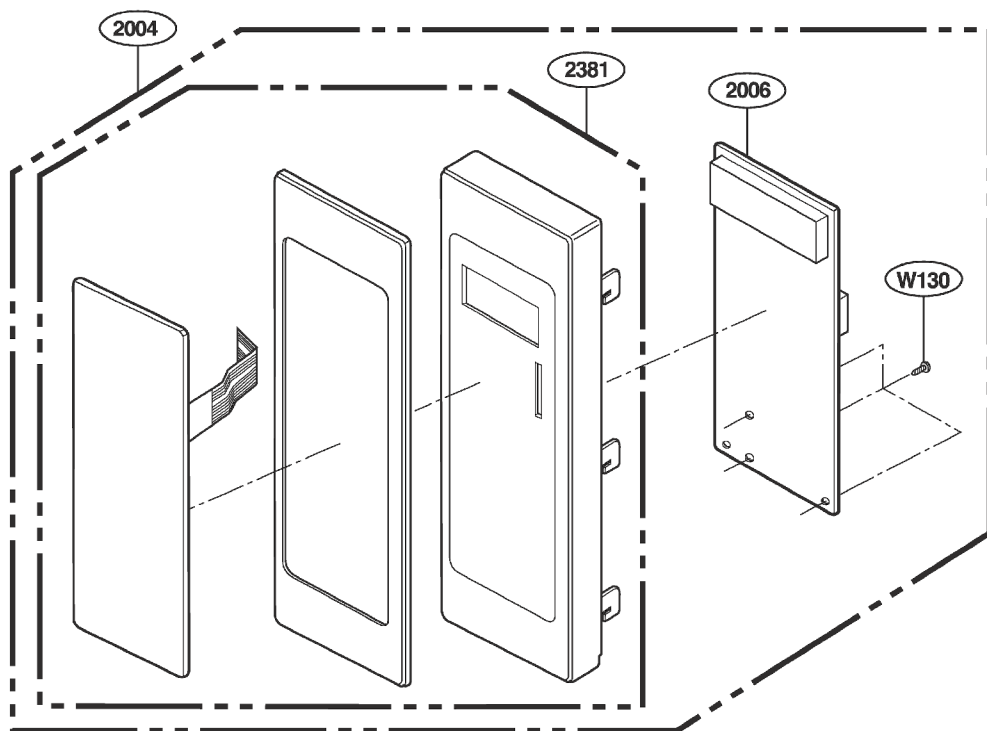


CONTROL PANEL PARTS

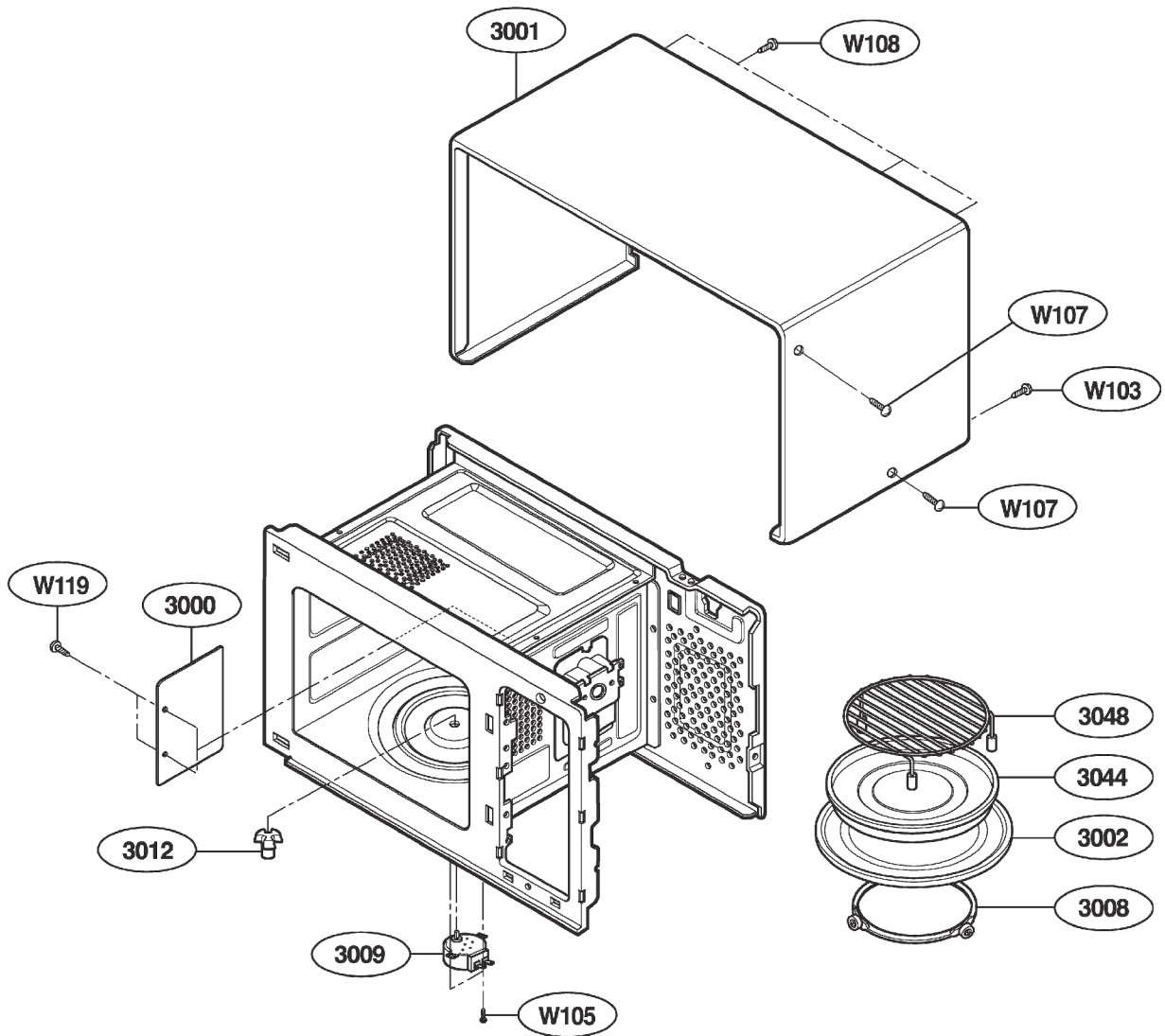
For Model : AMC7159TAB



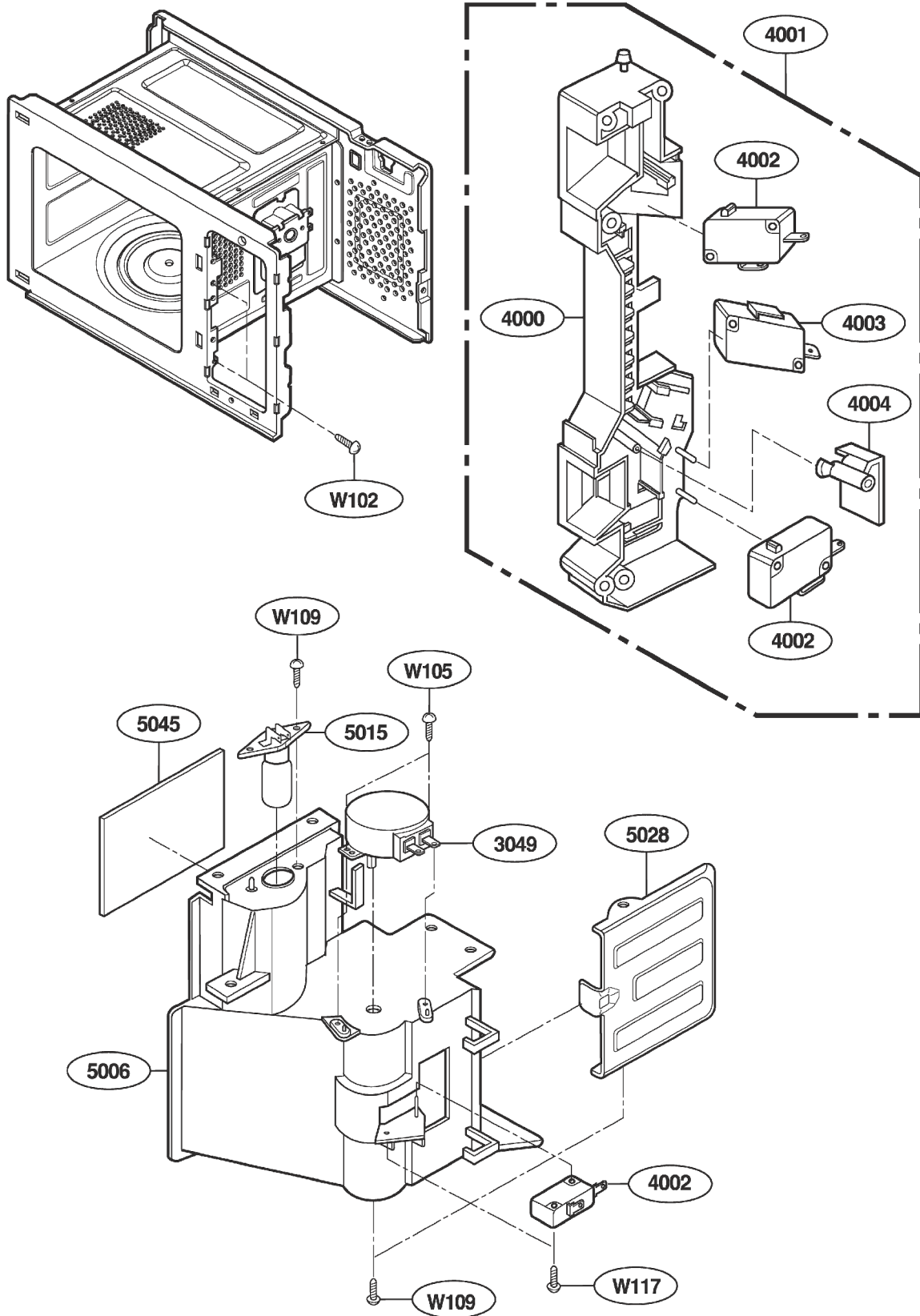
For Model : AMC7159TAS



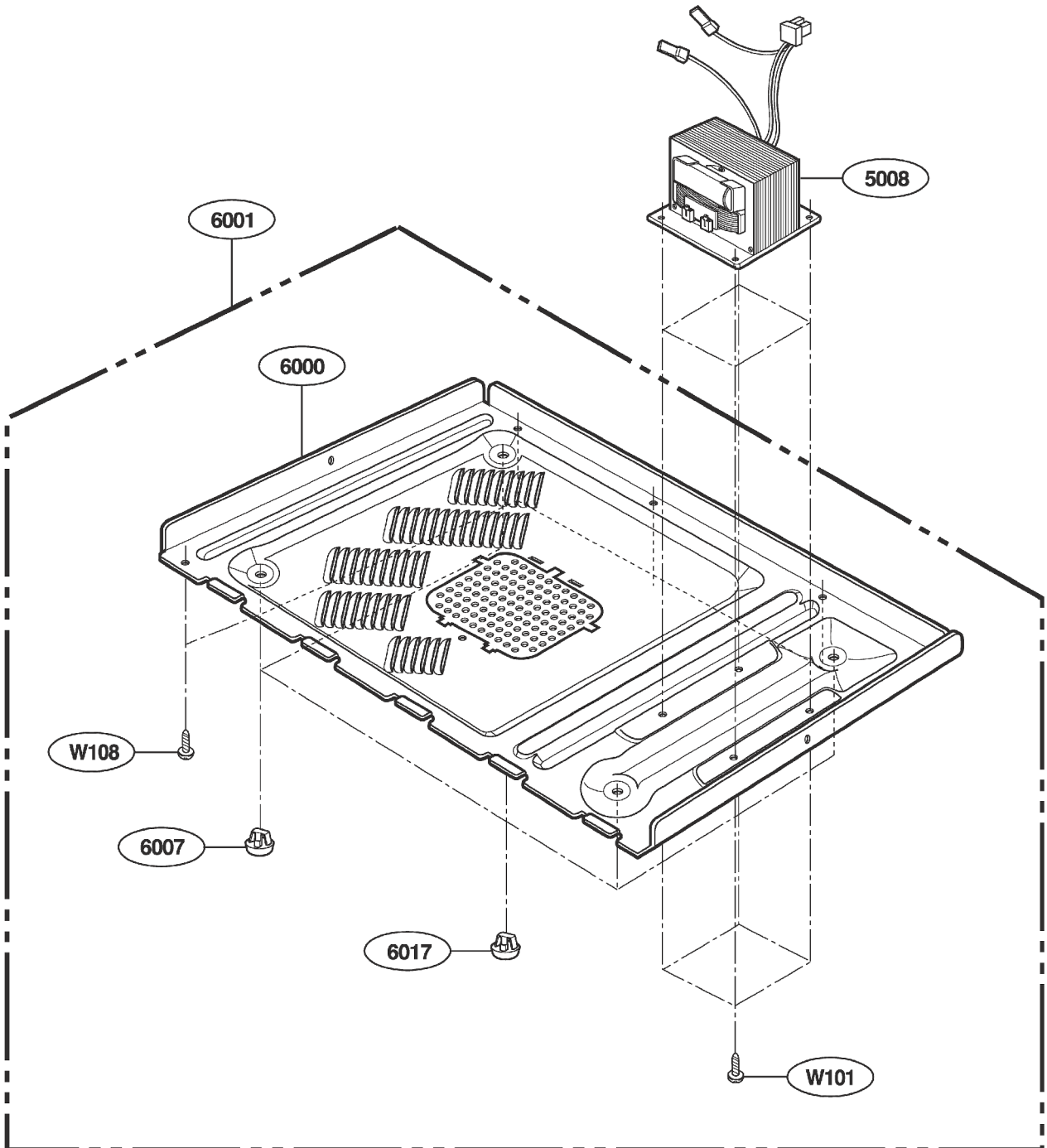
OVEN CAVITY PARTS



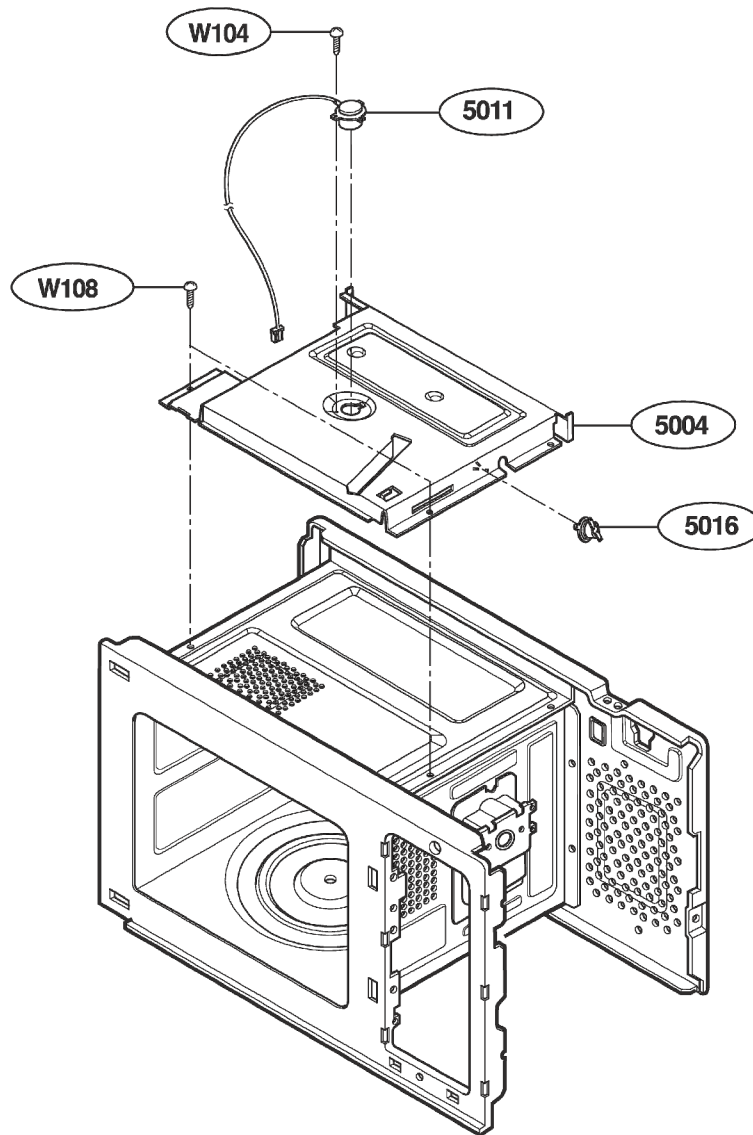
SUCTION GUIDE PARTS



BASE PLATE PARTS



SENSOR PARTS



Replacement Parts list

For Model : AMC7159TAB

Rev.1 Jun 08, 2007

LOC. NO.	PART NO.	DESCRIPTION	SVC	ALTERNATE
*01	MFL38778301	Manual,Owners	R	
*02	MFL39946601	Manual,Service	R	
*05	MEZ38995101	Label,Cooking Guide	R	
*10	MAY39945701	Box	R	
1000	3213W0A002C	Frame Assembly,Door	R	
1003	3720W0D323R	Panel,Door	R	
1004	3552W0A002A	Cover,Choke	R	
1005	3581W1A575J	Door Assembly	R	
1006	4026W2A015A	Locker	R	
1007	4970WRA001E	Spring	R	
1008	4890W1A077F	Window,Glass	R	4890W2D046W
1009	3650W1A112D	Handle,Door	R	
1013	5006W3A017A	Cap,Choke Cover	R	
2000	MFM39432602	Membrane	R	
2002	3720W0C171G	Panel,Control	R	
2004	4781W1M349Y	Controller Assembly,Keypad	R	
2006	6871W1S398B	PCB Assembly,Sub	R	
2381	AGM34518701	Parts Assembly	R	
3000	3052W3M022A	Cover,Insulator	R	
3001	3112W0F010H	Case,Flat	R	
3002	1B71961E	Tray,Glass	R	1B71961A
3006	4B72944B	Holder,Wire	R	
3008	5889W2A017A	Turntable Assembly	R	
3009	6549W1S013A	Motor, AC Synchronous	R	
3012	4370W3A001A	Shaft,Turtable	R	
3013	3550W1A090A	Cover,Rear	R	
3036	4930W3A014A	Supporter	R	
3044	3390W2P002F	Tray,Metal	R	
3048	5026W1A035X	Shelf	R	5026W1A035D
3049	6549WRS001P	Motor, AC Synchronous	R	6549W1S003E
3206	4810W3H003A	Bracket,Heater	R	
3207	4810W3H002A	Bracket,Heater	R	
3208	4810W3H004A	Bracket,Heater	R	
4000	3500W1A013A	Holder,Locker	R	
4001	3501W1A019A	Holder Assembly,Locker	R	
4002	3B73362F	Switch,Micro	R	3B73362E
4002	3B73362F	Switch,Micro	R	6600W1K001D
4002	3B73362F	Switch,Micro	R	6600W1K004C
4003	3B73361E	Switch,Micro	R	6600W1K001C
4003	3B73361E	Switch,Micro	R	6600W1K004B
4003	3B73361E	Switch,Micro	R	3B73361D
4004	4510W4A005A	Lever	R	
5000	0CZZW1H004B	Capacitor,High Voltage	R	0CZZW1H002H
5000	0CZZW1H004B	Capacitor,High Voltage	R	0CZZW1H003H
5001	3B74133K	Fuse,Time Delay	R	3B74133H
5002	4810W4C003A	Bracket,Capacitor	R	
5003	4974W1S046A	Guide,Suction	R	
5004	5264W1A015E	Guide,Air	R	
5006	3550W1A093A	Duct	R	
5007	2B72279B	Fan	R	
5008	6170W1D023E	Transformer,high voltage	R	6170W1D012G

R : SERVICE PARTS

LOC. NO.	PART NO.	DESCRIPTION	SVC	ALTERNATE
5008	6170W1D023E	Transformer,high voltage	R	6170W1D023J
5009	6324W1A001H	Magnetron	R	
5010	6411W1A018L	Power Cord Assembly	R	6411W2A002Z
5011	6501W1A004A	Sensor Assembly	R	
5012	6549W2F017N	Motor,AC Fan	R	
5014	6877W1A264A	Harness,Single	R	
5015	6912W3B002E	Lamp,Incandescent	R	
5016	6930W1A002C	Thermostat	R	6930WRT003A
5016	6930W1A002C	Thermostat	R	6930W1A003G
5018	6021W3B001Q	Cable,Assembly	R	6021W3B001M
5019	6877W2A002A	Harness,Single	R	
5021	6322W2A001A	Thermistor,NTC	R	
5028	4810W2U002A	Bracket,Damper	R	
5041	6201W2A018A	Filter,AC Line	R	
5045	3550W3L001A	Cover,Lamp	R	
5401	3300W1G087A	Chamber	R	
5402	5290W1A001B	Insulator	R	
5403	5300W1S006G	Heater,Sheath	R	5300W1S006A
5404	2B72066G	Motor,AC Fan	R	
5405	3B72717A	Bracket,Motor	R	
5406	4B73725A	Ring	R	
5407	5900W3A004B	Fan	R	
5408	3B72559A	Fan	R	
5413	3300W1G088A	Chamber	R	
6000	3302W0A022A	Plate,Base	R	
6001	3303W1A045B	Plate Assembly,Base	R	3303W1A045A
6007	5006W3A016B	Cap,Base Plate	R	
W101	1SBF0402418	Screw,Taptite	R	
W102	4B70188C	Screw,Customized	R	
W103	1SZZW2A002A	Screw,Customized	R	
W104	1TPL0302018	Screw,Tapping	R	
W105	1TPL0402418	Screw,Tapping	R	
W107	1TTL0402416	Screw,Tapping	R	
W108	1TTL0402418	Screw,Tapping	R	
W109	1TTL0402818	Screw,Tapping	R	
W117	1TPL0303118	Screw,Tapping	R	
W119	1TTG0402632	Screw,Tapping	R	
W121	1TTL0402422	Screw,Tapping	R	
W123	1NHA0400018	Nut,Common	R	
W124	1WSD0400032	Washer,Common	R	
W125	1NHA0400032	Nut,Common	R	
W130	1TPL0402618	Screw,Tapping	R	
W132	1MTC0402432	Screw,Machine	R	
W141	1WPL0500032	Washer,Common	R	
W146	1TTL0403418	Screw,Tapping	R	
W155	1SZZW2A002D	Screw,Customized	R	
W177	4B71028B	Nut,Common	R	
W182	4000W4A001A	Screw,Customized	R	
W214	1TPL0403218	Screw,Tapping	R	

R : SERVICE PARTS

Replacement Parts list

For Model : AMC7159TAS

Rev.1 Jun 08, 2007

LOC. NO.	PART NO.	DESCRIPTION	SVC	ALTERNATE
*01	MFL38778301	Manual,Owners	R	
*02	MFL39946601	Manual,Service	R	
*05	MEZ38995101	Label,Cooking Guide	R	
*10	MAY39945701	Box	R	
1000	3213W0A002C	Frame Assembly,Door	R	
1004	3552W0A002A	Cover,Choke	R	
1005	3581W1A575K	Door Assembly	R	
1006	4026W2A015A	Locker	R	
1007	4970WRA001E	Spring	R	
1008	4890W1A077F	Window,Glass	R	4890W2D046W
1009	3650W1A112C	Handle,Door	R	
1013	5006W3A017A	Cap,Choke Cover	R	
1381	383EW5A157E	Parts Assembly	R	
2004	4781W1M349Z	Controller Assembly,Keypad	R	
2006	6871W1S398B	PCB Assembly,Sub	R	
2381	AGM34518702	Parts Assembly	R	
3000	3052W3M022A	Cover,Insulator	R	
3001	3112W0F010H	Case,Flat	R	
3002	1B71961E	Tray,Glass	R	1B71961A
3006	4B72944B	Holder,Wire	R	
3008	5889W2A017A	Turntable Assembly	R	
3009	6549W1S013A	Motor, AC Synchronous	R	
3012	4370W3A001A	Shaft,Turntable	R	
3013	3550W1A090A	Cover,Rear	R	
3036	4930W3A014A	Supporter	R	
3044	3390W2P002F	Tray,Metal	R	
3048	5026W1A035X	Shelf	R	5026W1A035D
3049	6549WRS001P	Motor, AC Synchronous	R	6549W1S003E
3206	4810W3H003A	Bracket,Heater	R	
3207	4810W3H002A	Bracket,Heater	R	
3208	4810W3H004A	Bracket,Heater	R	
4000	3500W1A013A	Holder,Locker	R	
4001	3501W1A019A	Holder Assembly,Locker	R	
4002	3B73362F	Switch,Micro	R	3B73362E
4002	3B73362F	Switch,Micro	R	6600W1K001D
4002	3B73362F	Switch,Micro	R	6600W1K004C
4003	3B73361E	Switch,Micro	R	3B73361D
4003	3B73361E	Switch,Micro	R	6600W1K001C
4003	3B73361E	Switch,Micro	R	6600W1K004B
4004	4510W4A005A	Lever	R	
5000	0CZZW1H004B	Capacitor,High Voltage	R	0CZZW1H002H
5000	0CZZW1H004B	Capacitor,High Voltage	R	0CZZW1H003H
5001	3B74133K	Fuse,Time Delay	R	3B74133H
5002	4810W4C003A	Bracket,Capacitor	R	
5003	4974W1S046A	Guide,Suction	R	
5004	5264W1A015E	Guide,Air	R	
5006	3550W1A093A	Duct	R	
5007	2B72279B	Fan	R	
5008	6170W1D023E	Transformer,high voltage	R	6170W1D012G
5008	6170W1D023E	Transformer,high voltage	R	6170W1D023J
5009	6324W1A001H	Magnetron	R	

R : SERVICE PARTS

LOC. NO.	PART NO.	DESCRIPTION	SVC	ALTERNATE
5010	6411W1A018L	Power Cord Assembly	R	6411W2A002Z
5011	6501W1A004A	Sensor Assembly	R	
5012	6549W2F017N	Motor,AC Fan	R	
5014	6877W1A264A	Harness,Single	R	
5015	6912W3B002E	Lamp,Incandescent	R	
5016	6930W1A002C	Thermostat	R	6930W1A003G
5016	6930W1A002C	Thermostat	R	6930WRT003A
5018	6021W3B001Q	Cable,Assembly	R	6021W3B001M
5019	6877W2A002A	Harness,Single	R	
5021	6322W2A001A	Thermistor,NTC	R	
5028	4810W2U002A	Bracket,Damper	R	
5041	6201W2A018A	Filter,AC Line	R	
5045	3550W3L001A	Cover,Lamp	R	
5401	3300W1G087A	Chamber	R	
5402	5290W1A001B	Insulator	R	
5403	5300W1S006G	Heater,Sheath	R	5300W1S006A
5404	2B72066G	Motor,AC Fan	R	
5405	3B72717A	Bracket,Motor	R	
5406	4B73725A	Ring	R	
5407	5900W3A004B	Fan	R	
5408	3B72559A	Fan	R	
5413	3300W1G088A	Chamber	R	
6000	3302W0A022A	Plate,Base	R	
6001	3303W1A045B	Plate Assembly,Base	R	3303W1A045A
6007	5006W3A016B	Cap,Base Plate	R	
W101	1SBF0402418	Screw,Taptite	R	
W102	4B70188C	Screw,Customized	R	
W103	1SZZW2A002A	Screw,Customized	R	
W104	1TPL0302018	Screw,Tapping	R	
W105	1TPL0402418	Screw,Tapping	R	
W107	1TTL0402416	Screw,Tapping	R	
W108	1TTL0402418	Screw,Tapping	R	
W109	1TTL0402818	Screw,Tapping	R	
W117	1TPL0303118	Screw,Tapping	R	
W119	1TTG0402632	Screw,Tapping	R	
W121	1TTL0402422	Screw,Tapping	R	
W123	1NHA0400018	Nut,Common	R	
W124	1WSD0400032	Washer,Common	R	
W125	1NHA0400032	Nut,Common	R	
W130	1TPL0402618	Screw,Tapping	R	
W132	1MTC0402432	Screw,Machine	R	
W141	1WPL0500032	Washer,Common	R	
W146	1TTL0403418	Screw,Tapping	R	
W155	1SZZW2A002D	Screw,Customized	R	
W177	4B71028B	Nut,Common	R	
W182	4000W4A001A	Screw,Customized	R	
W214	1TPL0403218	Screw,Tapping	R	

R : SERVICE PARTS