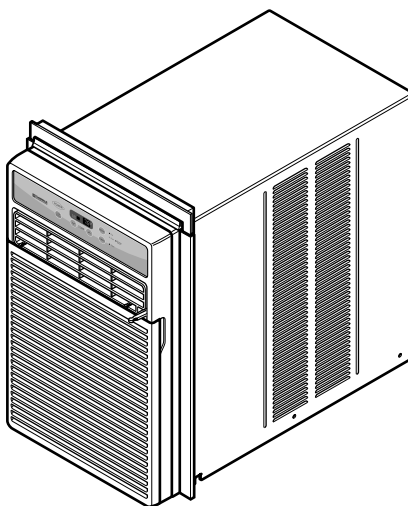


SEARS

Kenmore[®]
ROOM AIR CONDITIONER

REPAIR PARTS LIST

Model No.
580.75063700



To Call
Toll Free
For Parts:

1-800-366-PART
(1-800-366-7278)

For Service:

1-800-4-MY-HOME
(1-800-469-4663)

The model number of your Air Conditioner can be found on the right side of the cabinet.

All repair parts listed are available for immediate purchase or special order when you visit your nearest Sears Service Center, or the Service Department at most Sears stores. To order parts by phone, call the toll free parts number listed to the left.

When requesting service or ordering parts, always provide the following information:

- ◆ Product Type
- ◆ Model Number
- ◆ Part Number
- ◆ Part Description

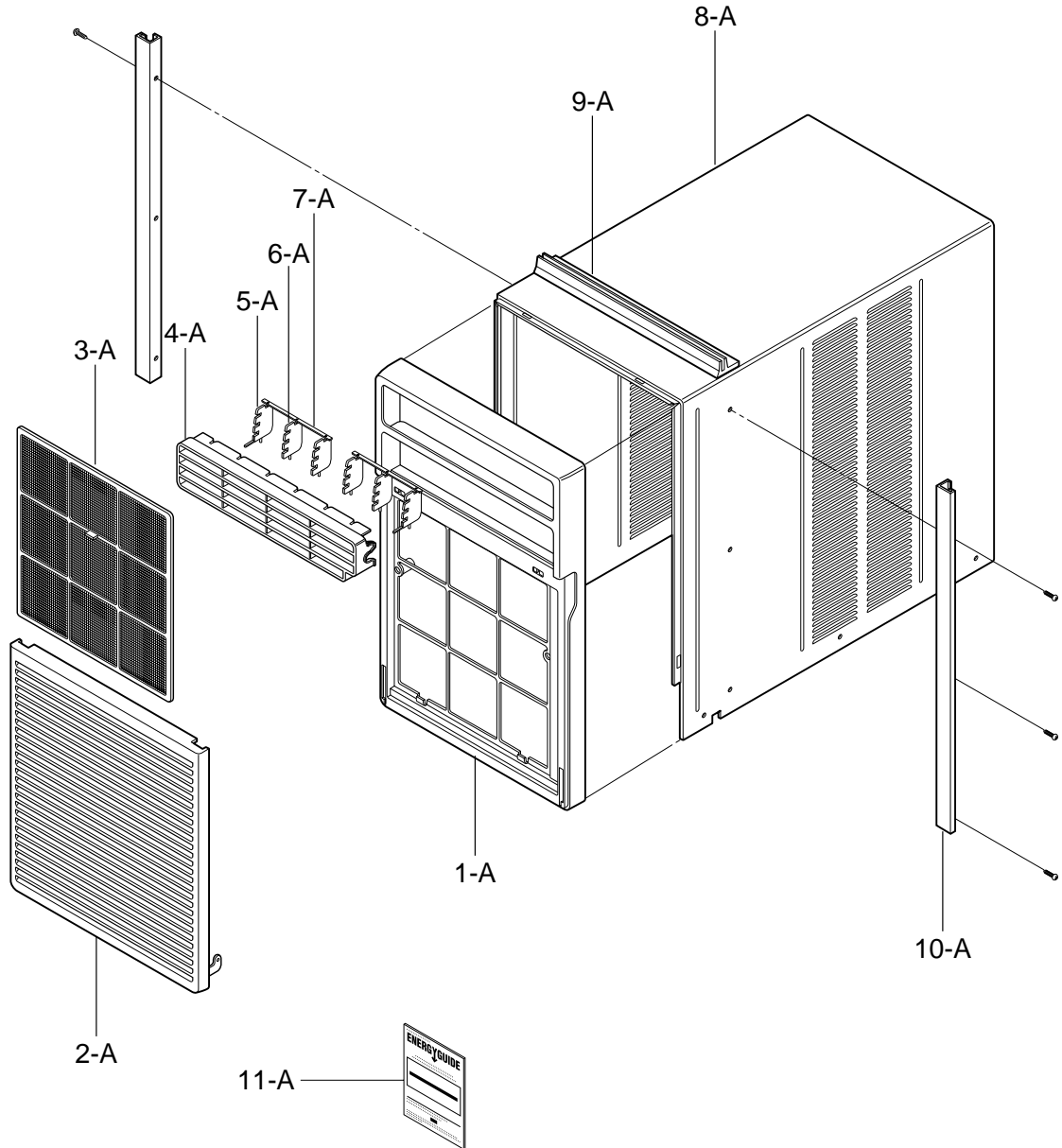
REPAIR PARTS

Room Air Conditioner
Model No. 580.75063700

To order Parts call Toll Free
1-800-4-MY-HOME®(1-800-469-4663)

CAUTION: Use the Kenmore part number on all orders, **not** the illustration number.

CABINET & FRONT GRILLE ASSEMBLY



CAUTION: Use the Kenmore part number on all orders, **not** the illustration number.

CABINET & FRONT GRILLE ASSEMBLY

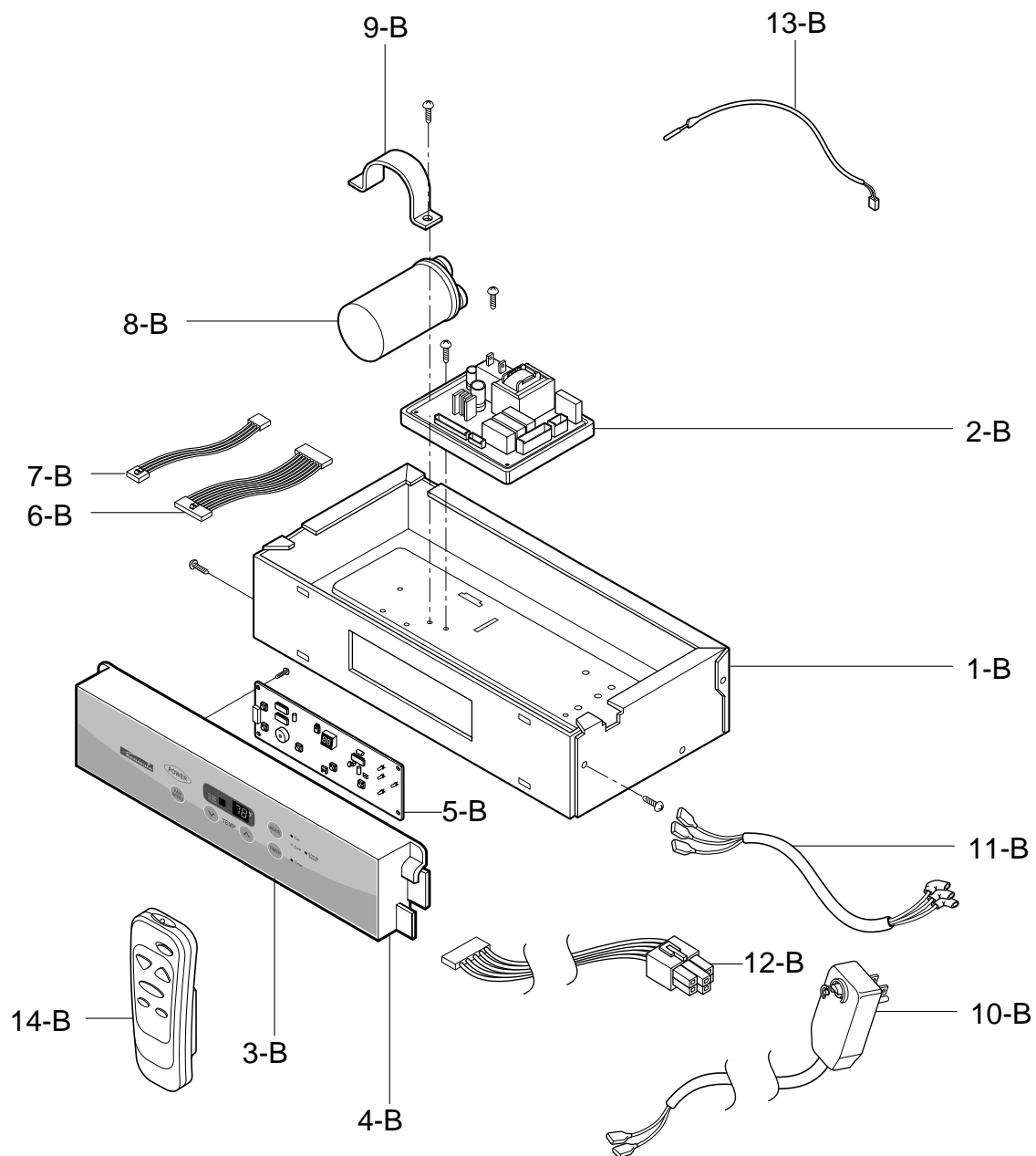
ILLUSTRATION NUMBER	PART NUMBER	DESCRIPTION
1 - A	3530A20055A	FRONT GRILLE
2 - A	3530A20056A	INLET GRILLE
3 - A	5231A20012A	AIR FILTER ASSEMBLY
4 - A	4758A20032A	LOUVER, HORIZONTAL
5 - A	4758A20017A	LOUVER, VERTICAL
6 - A	4758A20017B	LOUVER, VERTICAL
7 - A	4520A30036A	LINK
8 - A	3091A20014B	CABINET ASSEMBLY
9 - A	4974A20028A	UPPER GUIDE
10 - A	4974A30052B	SIDE GUIDE
11 - A	3850A27114P	LABEL, ENERGY
*	3828A21007N	MANUAL OWNER'S
*	3828A20461T	MANUAL SERVICE

= Functional Parts

* = Non-illustrated Parts

CAUTION: Use the Kenmore part number on all orders, **not** the illustration number.

CONTROL BOX ASSEMBLY



CAUTION: Use the Kenmore part number on all orders, **not** the illustration number.

CONTROL BOX ASSEMBLY

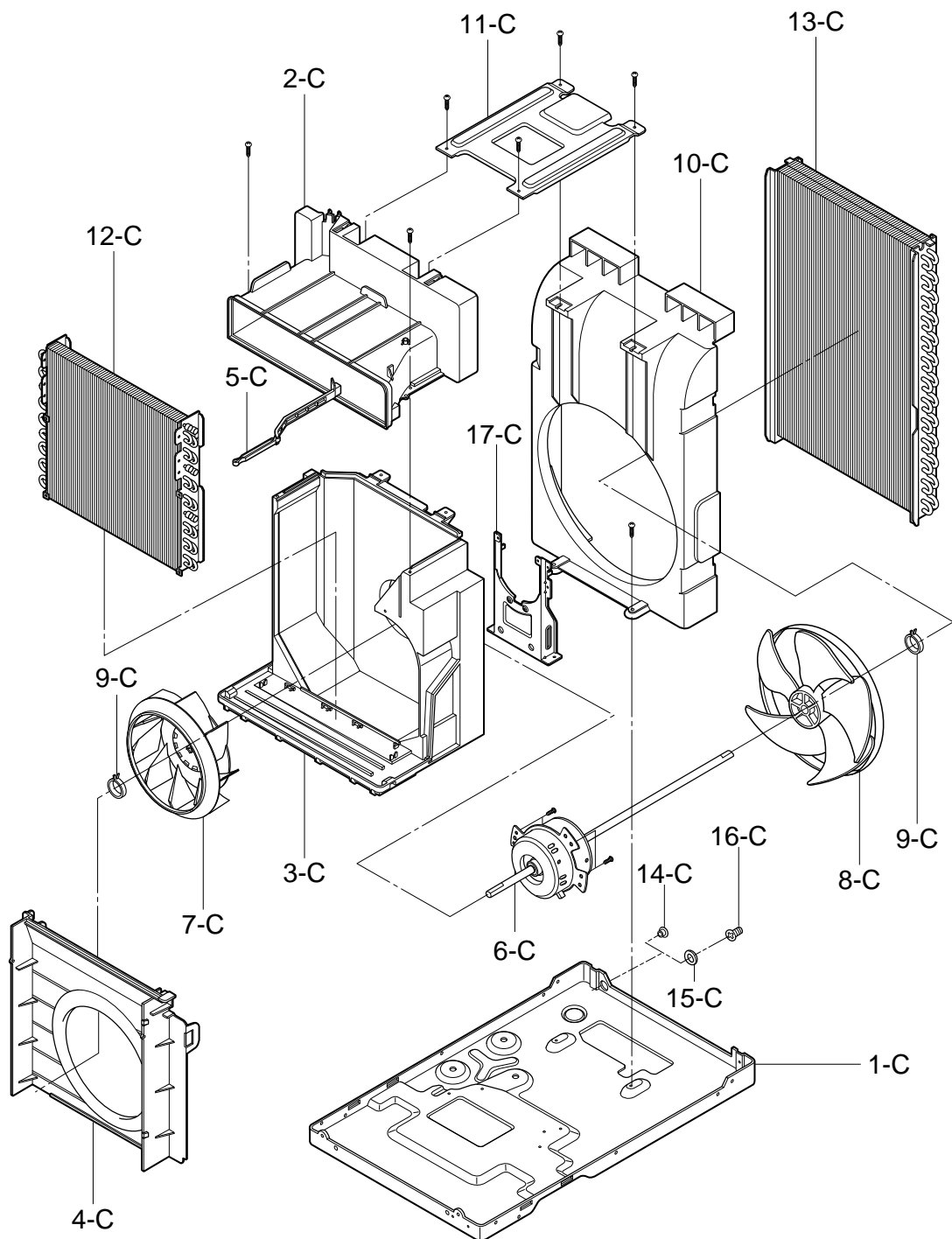
ILLUSTRATION NUMBER	PART NUMBER	DESCRIPTION
1 - B	4994A20048C	CONTROL BOX
2 - B	EBR30851803	MAIN PCB ASSEMBLY
3 - B	3831A20084A	ESCUTCHEON
4 - B	3720A20259A	PANEL, CONTROL
5 - B	EBR30852601	PCB, DISPLAY
6 - B	6631A10011C	CONNECTOR ASSEMBLY
7 - B	6631A10011D	CONNECTOR ASSEMBLY
8 - B #	0CZZA20005B	CAPACITOR
9 - B	4H00442F	CAPACITOR CLAMP
10 - B #	6411A20056U	POWER CORD ASSEMBLY
11 - B	6877A20002P	CONNECTOR ASSEMBLY
12 - B	6631A30012E	CONNECTOR ASSEMBLY
13 - B #	6323A20004S	THERMISTOR
14 - B	6711A20056T	REMOTE CONTROLLER

= Functional Parts

* = Non-illustrated Parts

CAUTION: Use the Kenmore part number on all orders, not the illustration number.

AIR HANDLING & CYCLE PARTS



CAUTION: Use the Kenmore part number on all orders, **not** the illustration number.

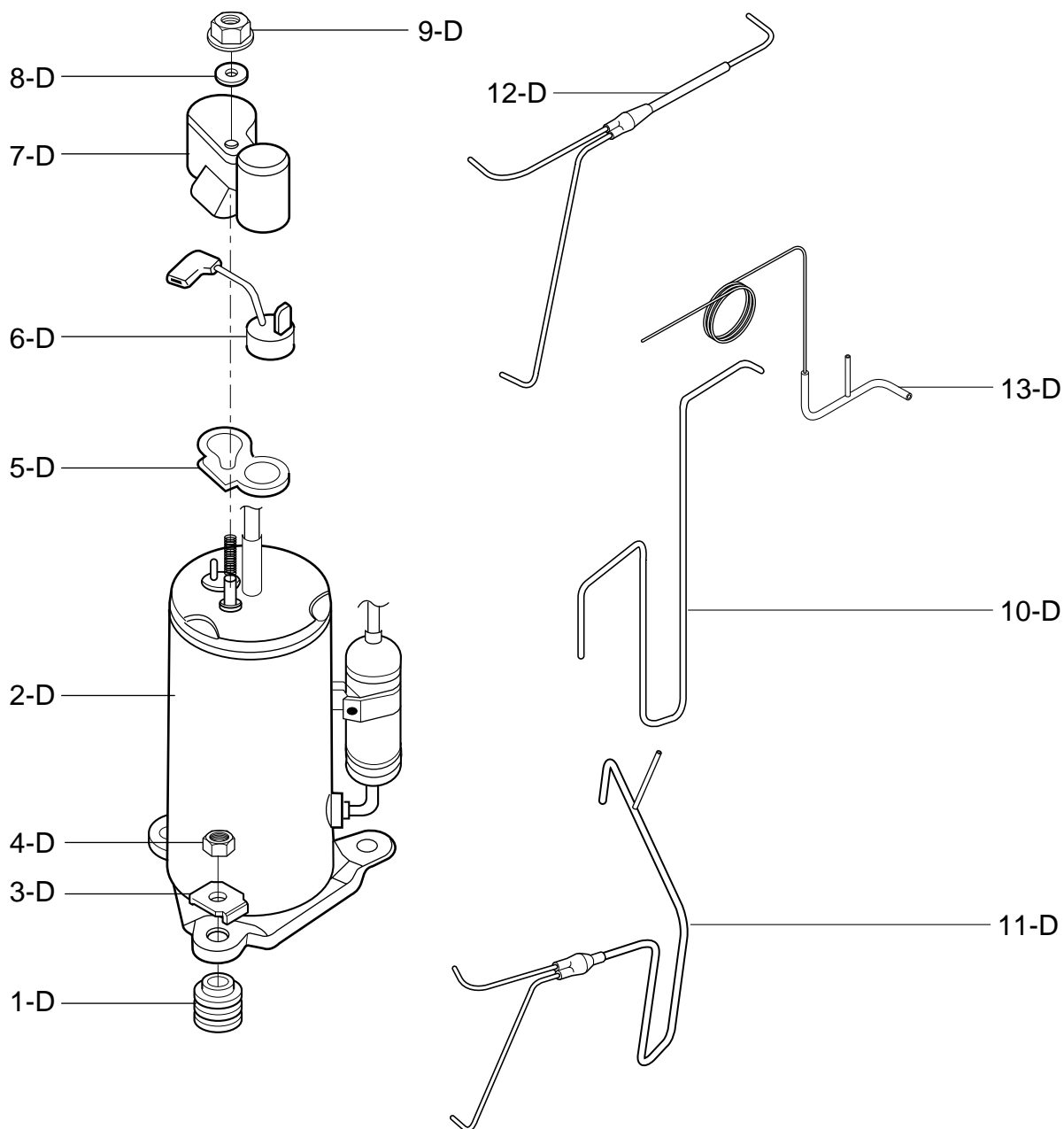
AIR HANDLING & CYCLE PARTS

ILLUSTRATION NUMBER	PART NUMBER	DESCRIPTION
1 - C	3041A20033V	BASE PAN ASSEMBLY
2 - C	5239A20007A	AIR GUIDE UPPER ASSEMBLY
3 - C	5238A20015A	AIR GUIDE LOWER ASSEMBLY
4 - C	4948A20012A	ORIFICE
5 - C	4900A20006A	VENTILATION DAMPER
6 - C #	4681A20069B	MOTOR ASSEMBLY
7 - C #	5900A20019A	FAN, TURBO
8 - C #	5900A20026A	FAN, AXIAL
9 - C	3H02932B	CLAMP SPRING
10 - C	4999A20002A	SHROUD ASSEMBLY
11 - C	4800A20001A	BRACE
12 - C #	5421A20115B	EVAPORATOR ASSEMBLY
13 - C #	5403A20082C	CONDENSER ASSEMBLY
14 - C	4H02023A	DRAIN RUBBER
15 - C	4H01029D	WASHER RUBBER
16 - C	3H02773A	DRAIN PIPE
17 - C	4960A20034A	MOUNT, MOTOR

= Functional Parts

CAUTION: Use the Kenmore part number on all orders, **not** the illustration number.

COMPRESSOR PARTS



CAUTION: Use the Kenmore part number on all orders, **not** the illustration number.

COMPRESSOR PARTS

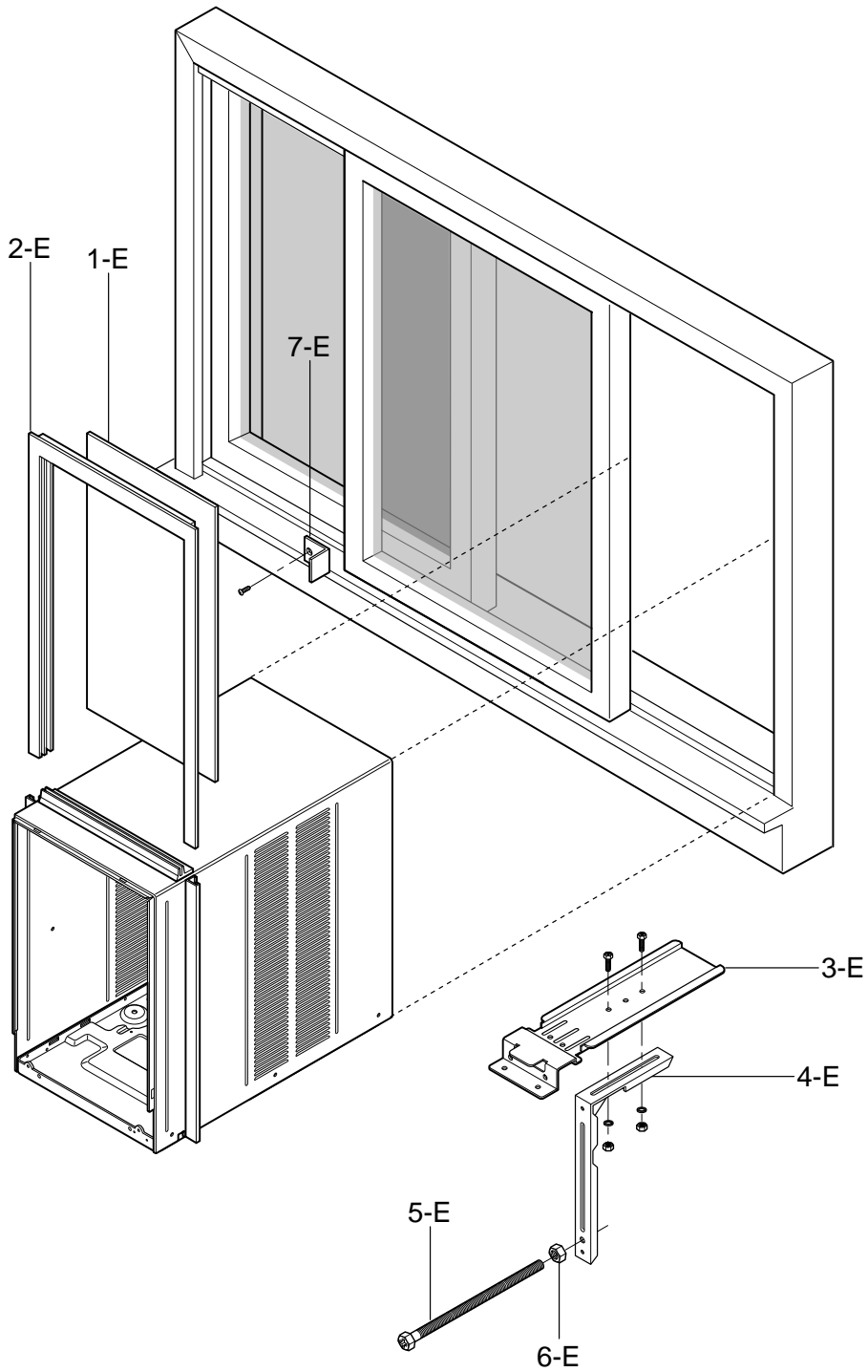
ILLUSTRATION NUMBER	PART NUMBER	DESCRIPTION
1 - D	4830A30005A	ISOLATOR, COMP
2 - D #	2520UCA004	COMPRESSOR
3 - D	4H01811C	BRACKET, WASHER
4 - D	1NHA0801206	HEXAGON NUTS
5 - D	4986UTL001G	GASKET
6 - D #	6750U-L004A	OVERLOAD PROTECTOR
7 - D	3550UTL006A	TERMINAL COVER
8 - D	4H01058A	WASHER DRAWING
9 - D	4H00947A	TERMINAL COVER NUT
10 - D	5211A20558H	TUBE ASSEMBLY DISCHARGE
11 - D	5211A20555F	TUBE ASSEMBLY SUCTION
12 - D	5211A20559S	TUBE ASSEMBLY EVAPORATOR
13 - D	5211A20557Q	TUBE ASSEMBLY CAPILLARY

= Functional Parts

* = Non-illustrated Parts

CAUTION: Use the Kenmore part number on all orders, **not** the illustration number.

INSTALLATION KIT ASSEMBLY



CAUTION: Use the Kenmore part number on all orders, **not** the illustration number.

INSTALLATION KIT ASSEMBLY

ILLUSTRATION NUMBER	PART NUMBER	DESCRIPTION
1 - E	3790A20040A	CURTAIN
2 - E	3210A20043B	FRAME, CURTAIN
3 - E	4810A30164B	BRACKET
4 - E	4810A30213B	SUPPORT BRACKET
5 - E	1BZZA30004D	LEVELING BOLT
6 - E	1NHC1000006	LEVELING NUT
7 - E	4H01785B	WINDOW LOCKET BRACKET

= Functional Parts

* = Non-illustrated Parts

Get it fixed, at your home or ours!

Your Home

For repair – **in your home** – of all major brand appliances, lawn and garden equipment, or heating and cooling systems, **no matter who made it, no matter who sold it!**

For the replacement parts, accessories and owner's manuals that you need to do-it-yourself.

For Sears professional installation of home appliances and items like garage door openers and water heaters.

1-800-4-MY-HOME® (1-800-469-4663)

Call anytime, day or night (U.S.A. and Canada)

www.sears.com www.sears.ca

Our Home

For repair of carry-in items like vacuums, lawn equipment, and electronics, call or go on-line for the location of your nearest **Sears Parts & Repair Center.**

1-800-488-1222

Call anytime, day or night (U.S.A. only)

www.sears.com

To purchase a protection agreement (U.S.A.) or maintenance agreement (Canada) on a product serviced by Sears:

1-800-827-6655 (U.S.A.)

1-800-361-6665 (Canada)

Para pedir servicio de reparación a domicilio, y para ordenar piezas:

1-888-SU-HOGAR®

(1-888-784-6427)

Au Canada pour service en français:

1-800-LE-FOYER^{MC}

(1-800-533-6937)

www.sears.ca

The Sears logo is displayed in a large, stylized, black font. The letters are bold and slightly italicized, with a thick, curved underline beneath the word "Sears".