

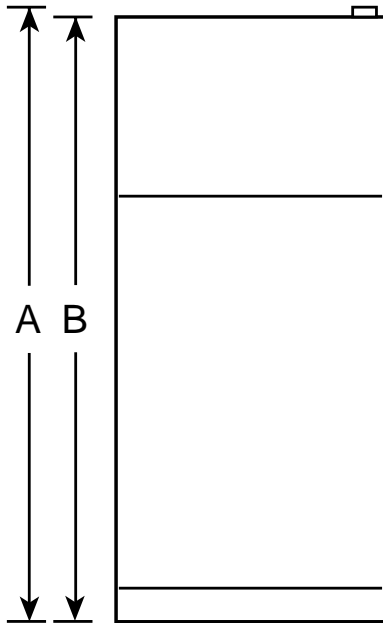


GE Appliances

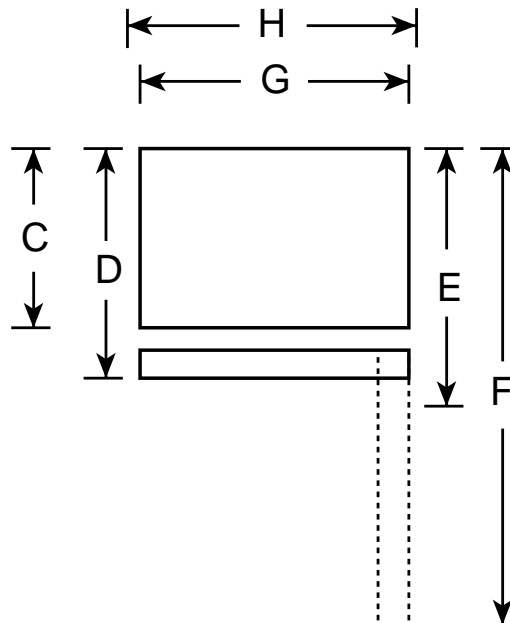
GTS20IBN – GE 20.0 Cu. Ft. Top-Freezer Refrigerator

Dimensions (in inches)

Front View



Top View



Overall Dimensions	Height to top of hinge (in.) A	68-1/8
	Height to top of case (in.) B	67-1/2
	Height to mid-freezer (in.)	56-3/4
	Case depth without door (in.) C	27-1/2
	Case depth less door handle (in.) D	30-5/8
	Case depth with door handle (in.) E	32-5/8
	Depth with fresh food door open 90° (in.) F	57-15/16
	Width (in.) G	29-1/2
Air Clearances	Width with door open 90° less door handle (in.) H	30-3/4
	Each side (in.)	1/8
	Top (in.)	1
	Back (in.)	1



Total volume and shelf area are calculated by the Association of Home Appliance Manufacturers' standards.

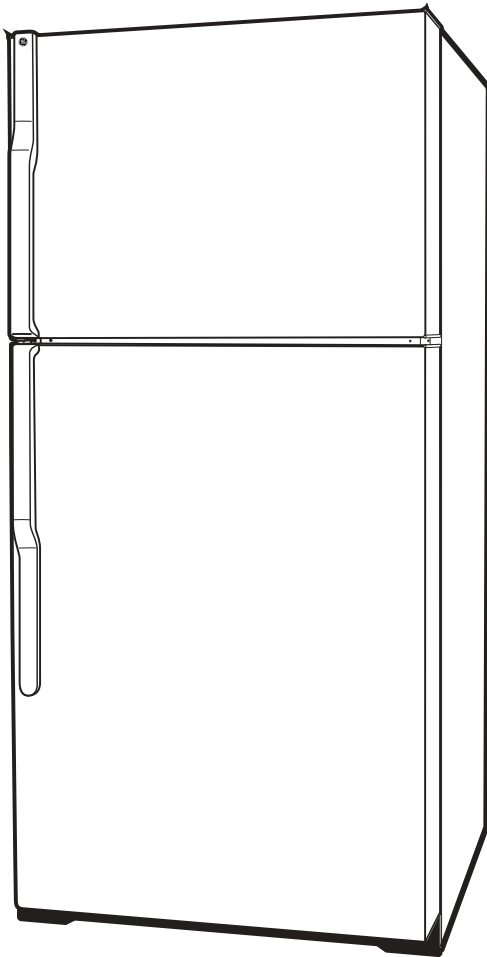


Listed by Underwriters Laboratories



GE Appliances

GTS20IBN – GE 20.0 Cu. Ft. Top-Freezer Refrigerator



Features and Benefits

- 20.02 cu. ft. Capacity (Fresh Food 14.61 cu. ft./Freezer 5.41 cu. ft.)
- 3 Adjustable Glass Fresh Food Cabinet Shelves (2 Split, 1 Full-Width)
- Upfront Temperature Controls
- 2 Clear Fruit/Vegetable Crispers
- 3 (2 Adjustable/1 Fixed) Full-Width Fresh Food Gallon Door Bins
- Equipped for Optional Automatic Icemaker
- 1 Adjustable Full-Width Wire Everwhite Freezer Compartment Shelf
- Snack Pan
- Dairy Compartment
- 2 Fixed Freezer Door Shelves
- 1 Ice 'N Easy Tray
- Color-Matched Door Handles
- Model GTS20IBNWW – White on white
- Model GTS20IBNCC – Bisque on bisque