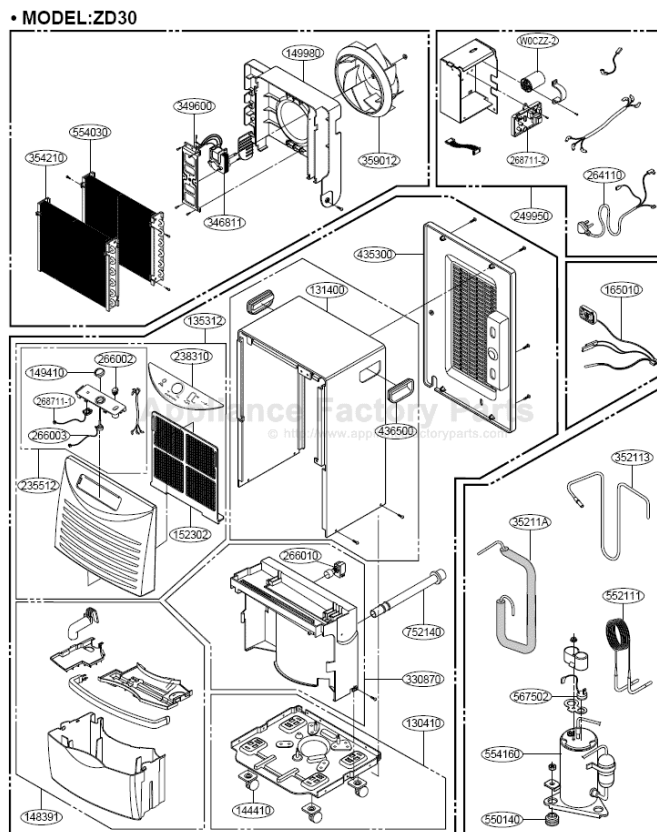


This Owner's Manual is provided and hosted by [Appliance Factory Parts](#).



# LG ZD30 Owner's Manual

[Shop genuine replacement parts for LG ZD30](#)



[Find Your LG Dehumidifier Parts - Select From 224 Models](#)

----- Manual continues below -----



Internal Use Only

Website:<http://www.zenithappliances.com>

# Dehumidifier

## SERVICE MANUAL

**MODELS: ZD30**

### **CAUTION**

- BEFORE SERVICING THE UNIT,  
READ THE SAFETY PRECAUTIONS IN THIS MANUAL.
- ONLY FOR AUTHORIZED SERVICE.

## 1. Specification

MODELS		ZD30
ITEMS		
CAPACITY(Pints/24hrs)		30
POWER SUPPLY(Phase,V,Hz)		1Ø, 115V,60Hz
INPUT(W)		490
RUNNING CURRENT(A)		4.8
ENERGY FACTOR(L/kw.h)		1.20
REFRIGERANT		R22
REFRIGERANT CHARGE, oz(g)		5.29(150)
THERMISTOR	OPEN	33.8°F(1±0.5°C)
	CLOSE	50°F(10±0.5°C)
SOLENOID VALVE		Using Temp/Humid.: -4~122°F(-20~50°C)/95%RH ↓ Rating:7W/90mA
COMPRESSOR MODEL No.		SD063SW
PROTECTOR		OVERLOAD PROTECTOR FOR COMPRESSOR INTERNAL PROTECTOR(FUSE)FOR MOTOR
CAPACITOR		35µF,270VAC
MOTOR ASSEMBLY,SINGLE		Shaded pole motor,72W/1.4A,Thermal cutoff:266 °FV/130°C
SWITCH ASSEMBLY,MICRO		15A/250VAC
OUTSIDED MENSIONS WxHxD,mm(in)		385X540X340(15 5/32 x 21 1/4 x 13 3/8)
NET WEIGHT,kg(lbs)		20.1(44.3)

※ \*NOTE:Specifications are subject to minor change without notice for further improvement.

## 2 Dehumidifier

Copyright ©2007 LG Electronics. Inc. All right reserved.  
Only for training and service purposes.

LGE Internal Use Only

## 2. Piping Diagrams

**Equipment needed:** Vacuum pump, charging cylinder, manifold gauge, brazing equipment, pinch-off tool capable of making a vapor-proof seal, leak detector, tubing cutter, hand tools to remove components, service valve.

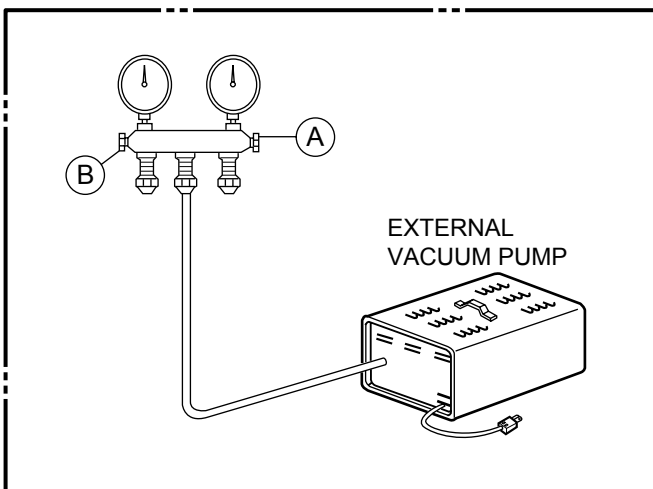
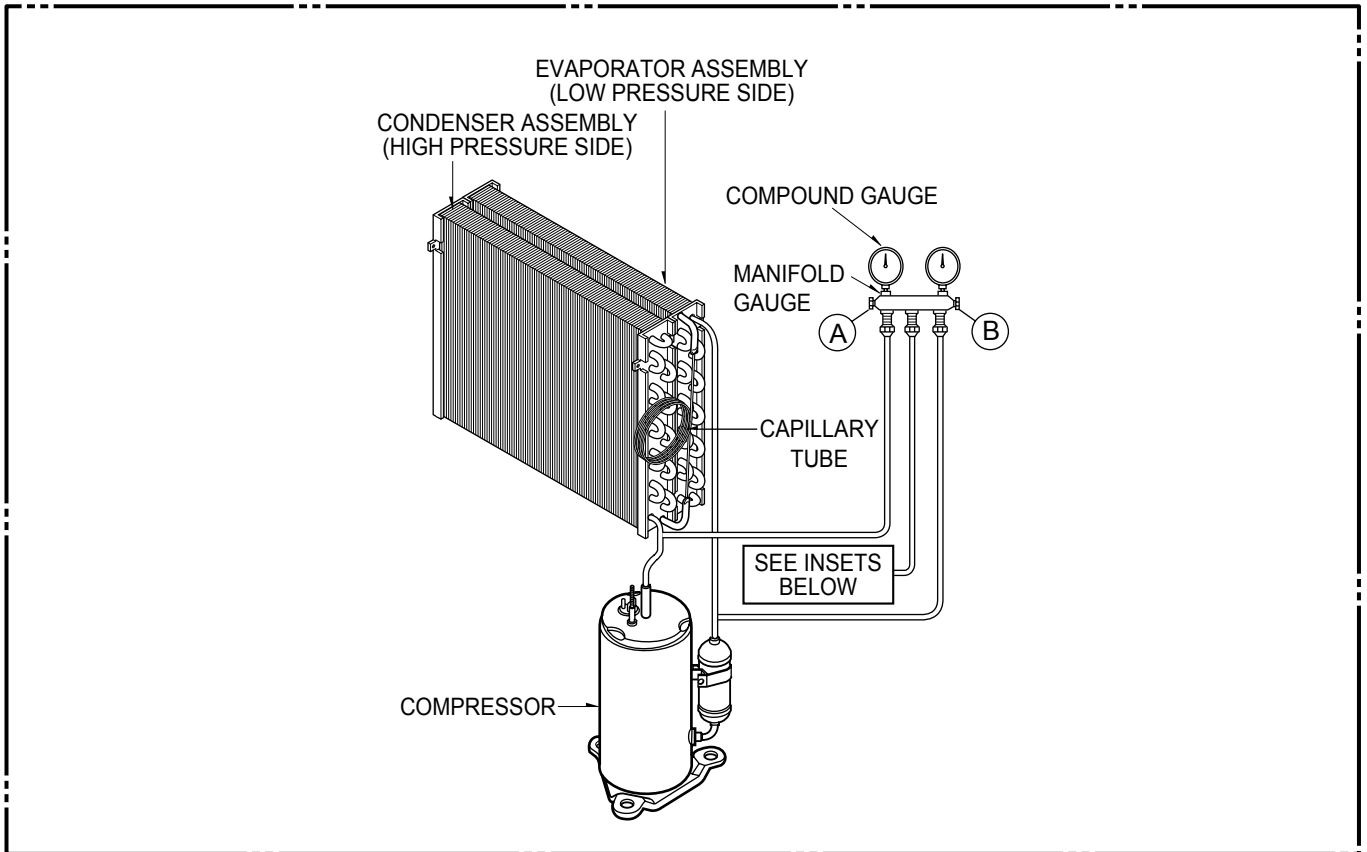


Figure A-Pulling Vacuum

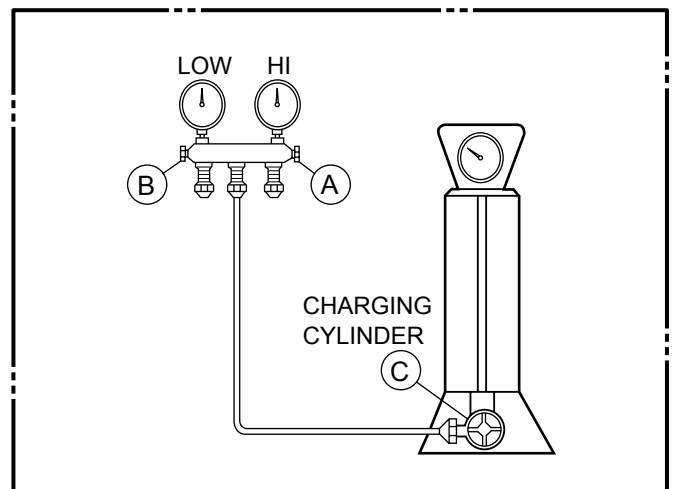
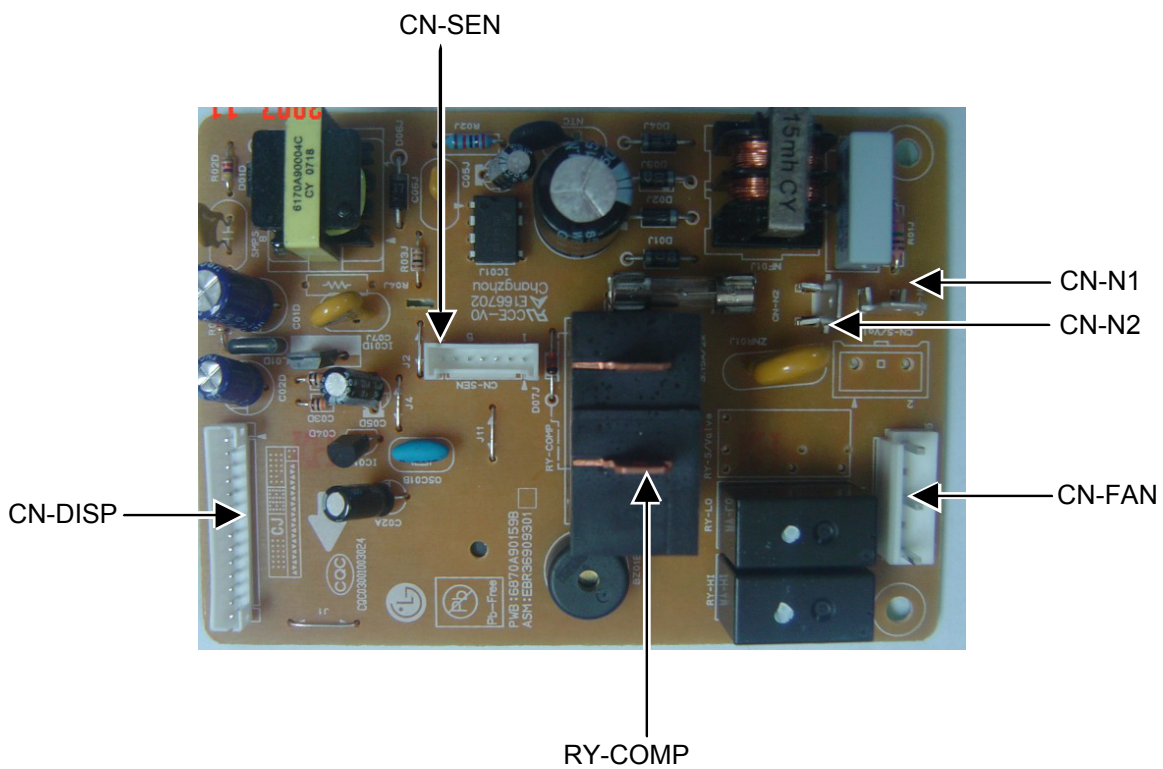
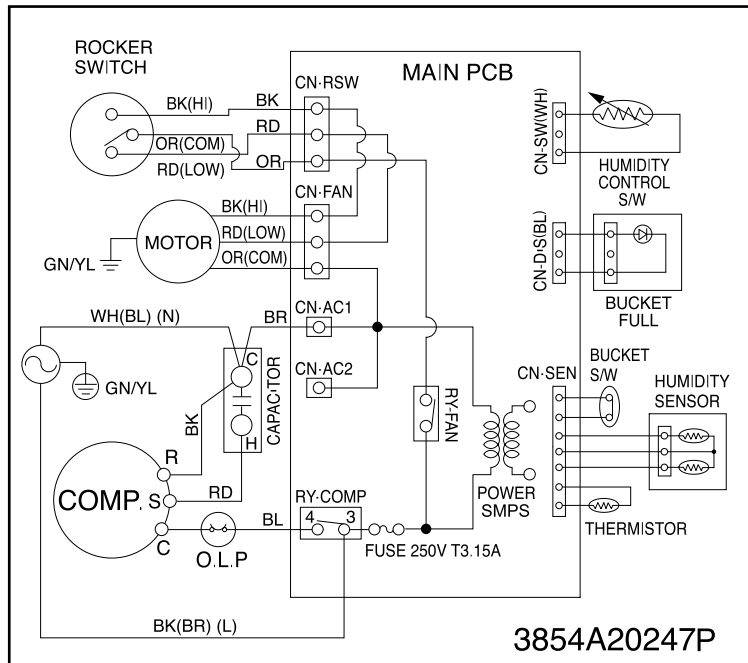


Figure B-Charging

### 3. Wiring Diagrams

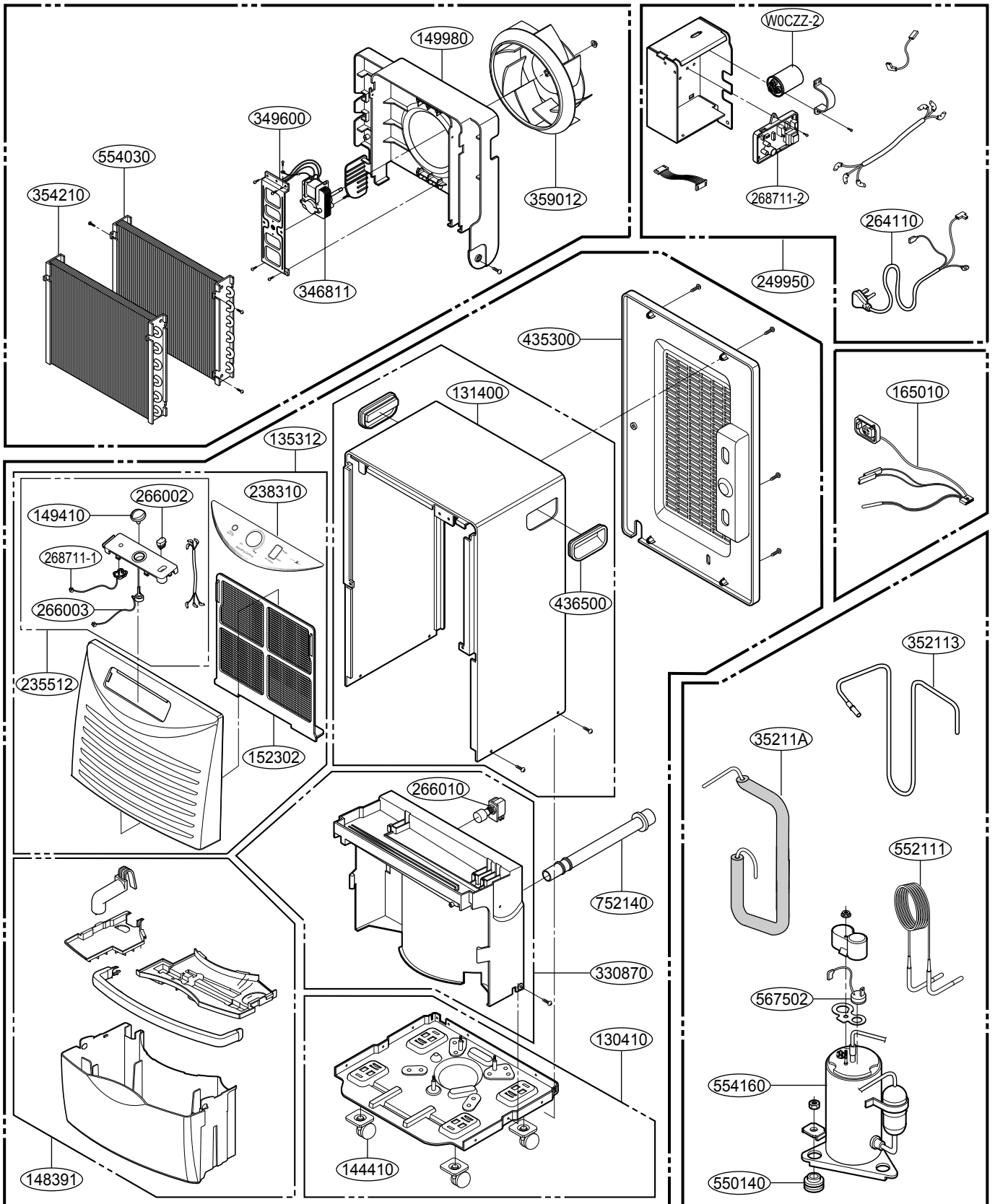
• MODEL : ZD30



### 4 Dehumidifier

# 4. Exploded View

## • MODEL: ZD30





P/NO : MFL38891307

November , 2007