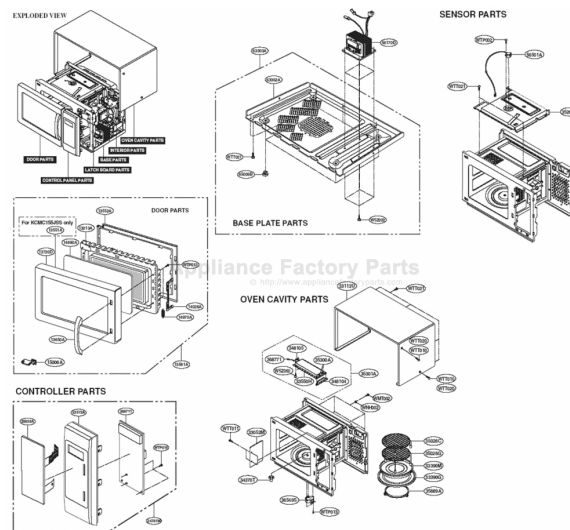


This Owner's Manual is provided and hosted by [Appliance Factory Parts](#).



KITCHENAID KCMC155JBT Owner's Manual

[Shop genuine replacement parts for KITCHENAID
KCMC155JBT](#)



[Find Your KITCHENAID Microwave Parts - Select From 105 Models](#)

----- Manual continues below -----

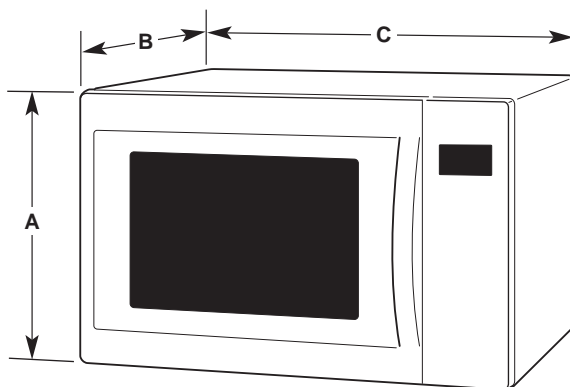
KitchenAid® Countertop Microwave Ovens

PRODUCT MODEL NUMBERS

KCMC155J
KCMS145J
KCMS185J

Electrical: A 120-volt, 60-Hz, AC-only, 15- or 20-amp fused electrical supply is required. (A time-delay fuse is recommended.) It is recommended that a separate circuit serving only this appliance be provided.

OVERALL DIMENSIONS



Models	"A"	"B"	"C"
KCMC155J	14 7/8"	20"	22 5/8"
KCMS145J	12 5/8"	17 1/4"	21 7/8"
KCMS185J	13 9/16"	18 13/16"	23 7/8"

NOTE: These microwave ovens can be built-in over approved electric single ovens only using approved trim kits. See dealer for details.

NOTE: Do not block the exhaust vents or air intake openings. Allow a few inches of space at the back and side of the oven where the exhaust vents are located. Blocking the exhaust vents could cause damage to the oven and poor cooking results.