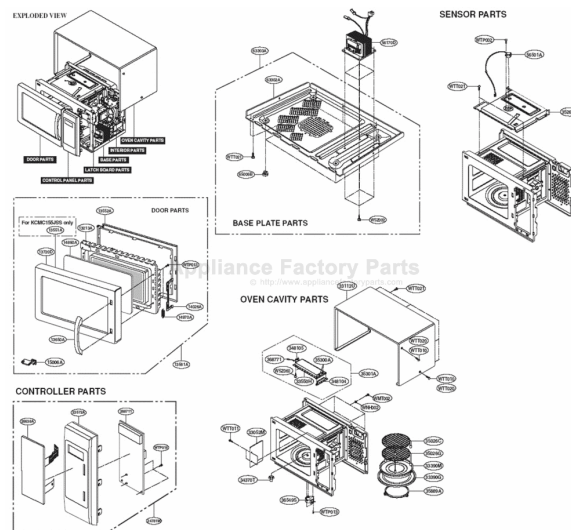


This Owner's Manual is provided and hosted by [Appliance Factory Parts](#).



# KITCHENAID KCMC155JBT Owner's Manual

[Shop genuine replacement parts for KITCHENAID  
KCMC155JBT](#)



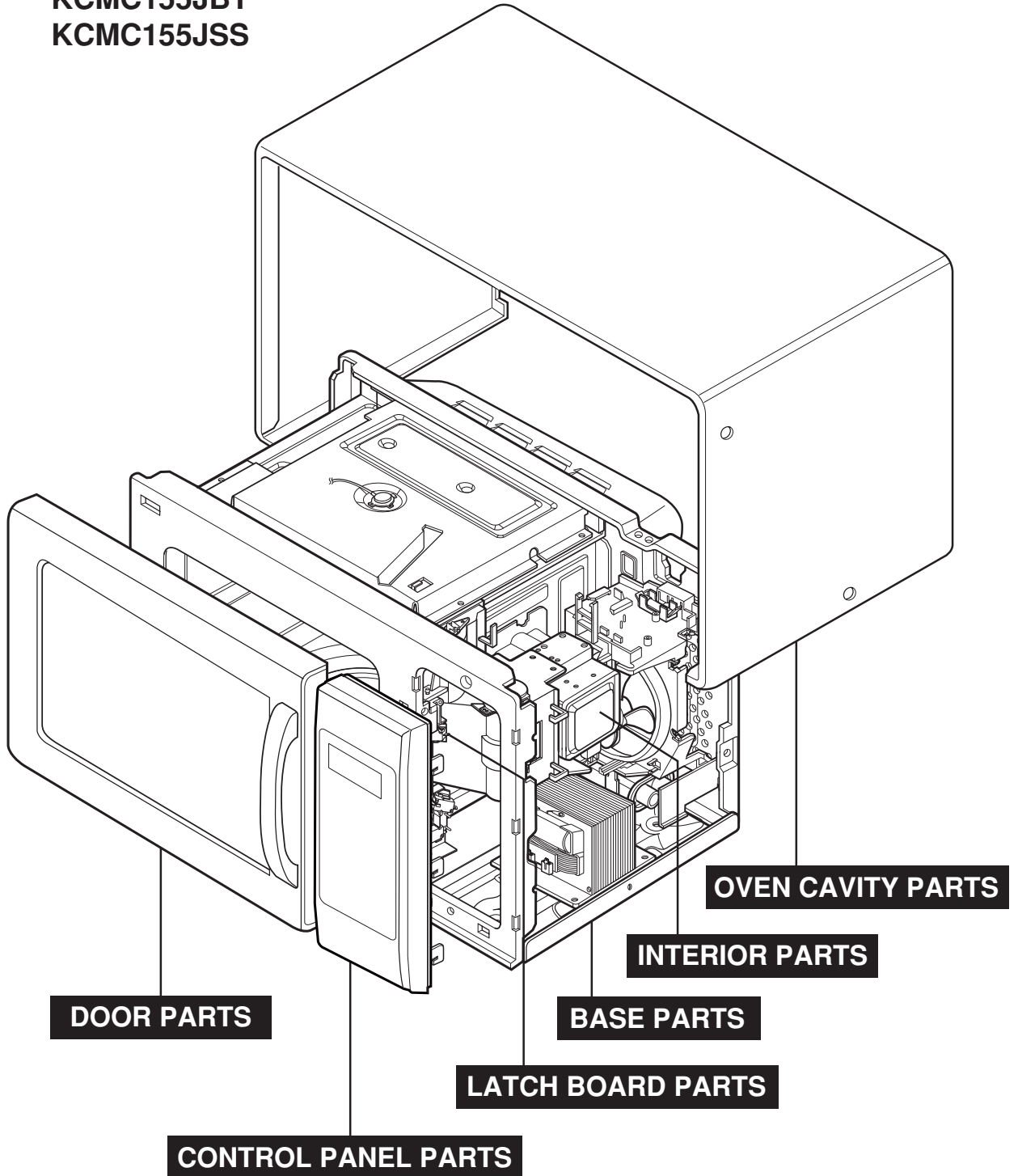
[Find Your KITCHENAID Microwave Parts - Select From 105 Models](#)

----- Manual continues below -----

# EXPLODED VIEW

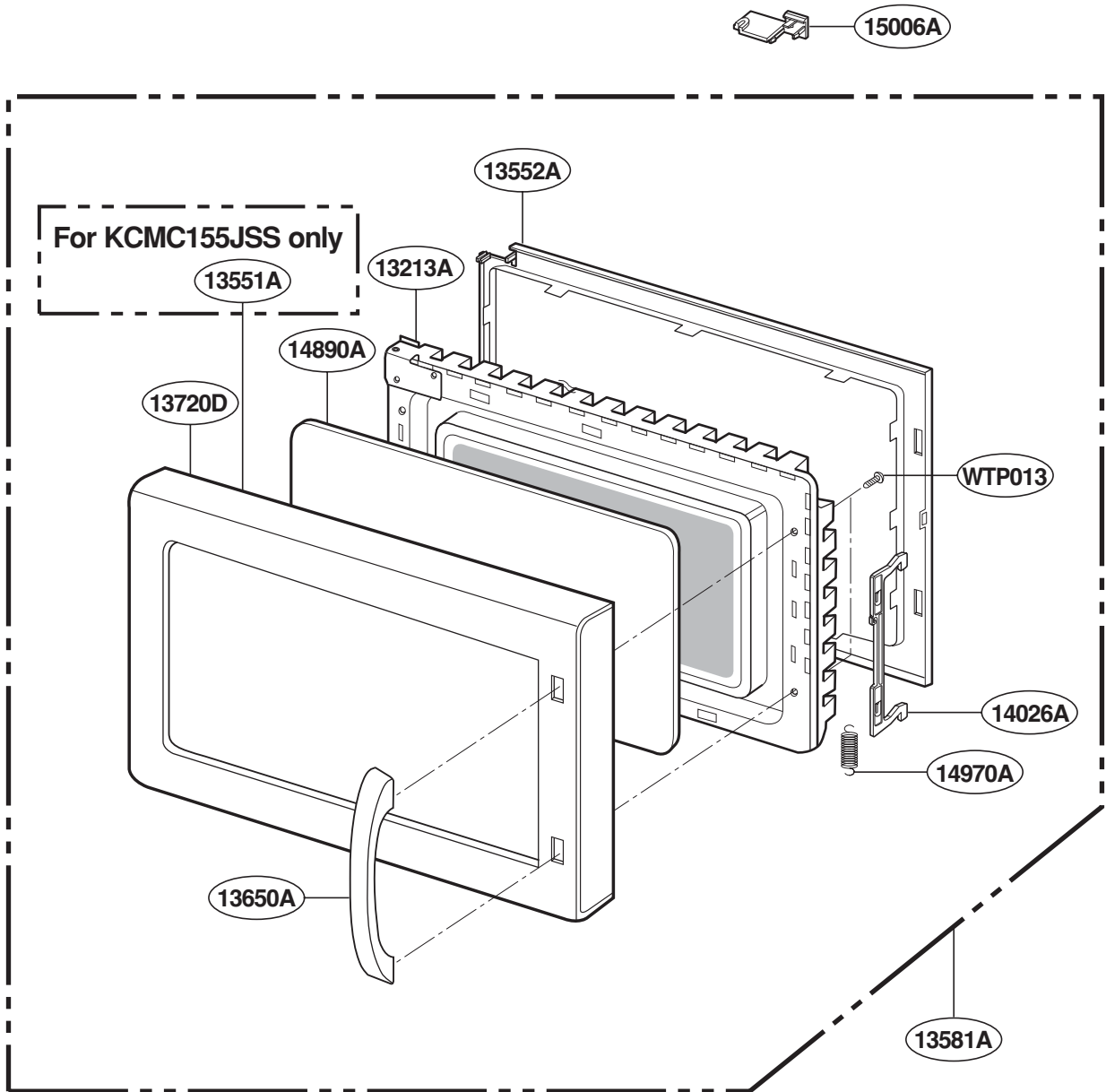
## INTRODUCTION

Model : KCMC155JBL  
KCMC155JWH  
KCMC155JBT  
KCMC155JSS



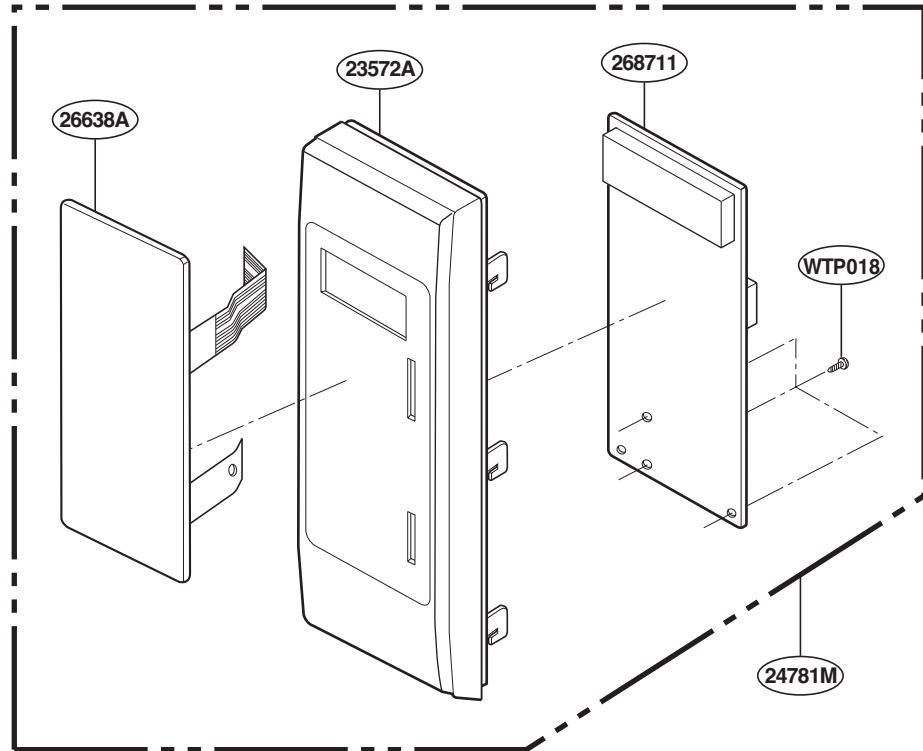
P/No: 3828W5S1627

# DOOR PARTS

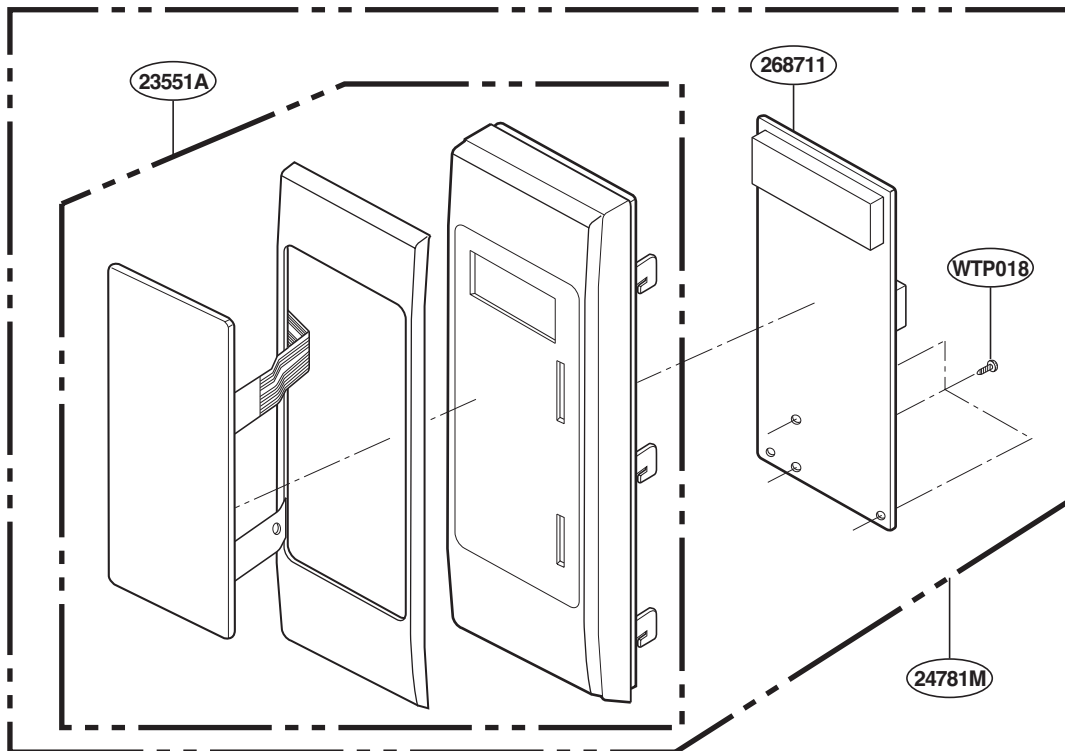


# CONTROLLER PARTS

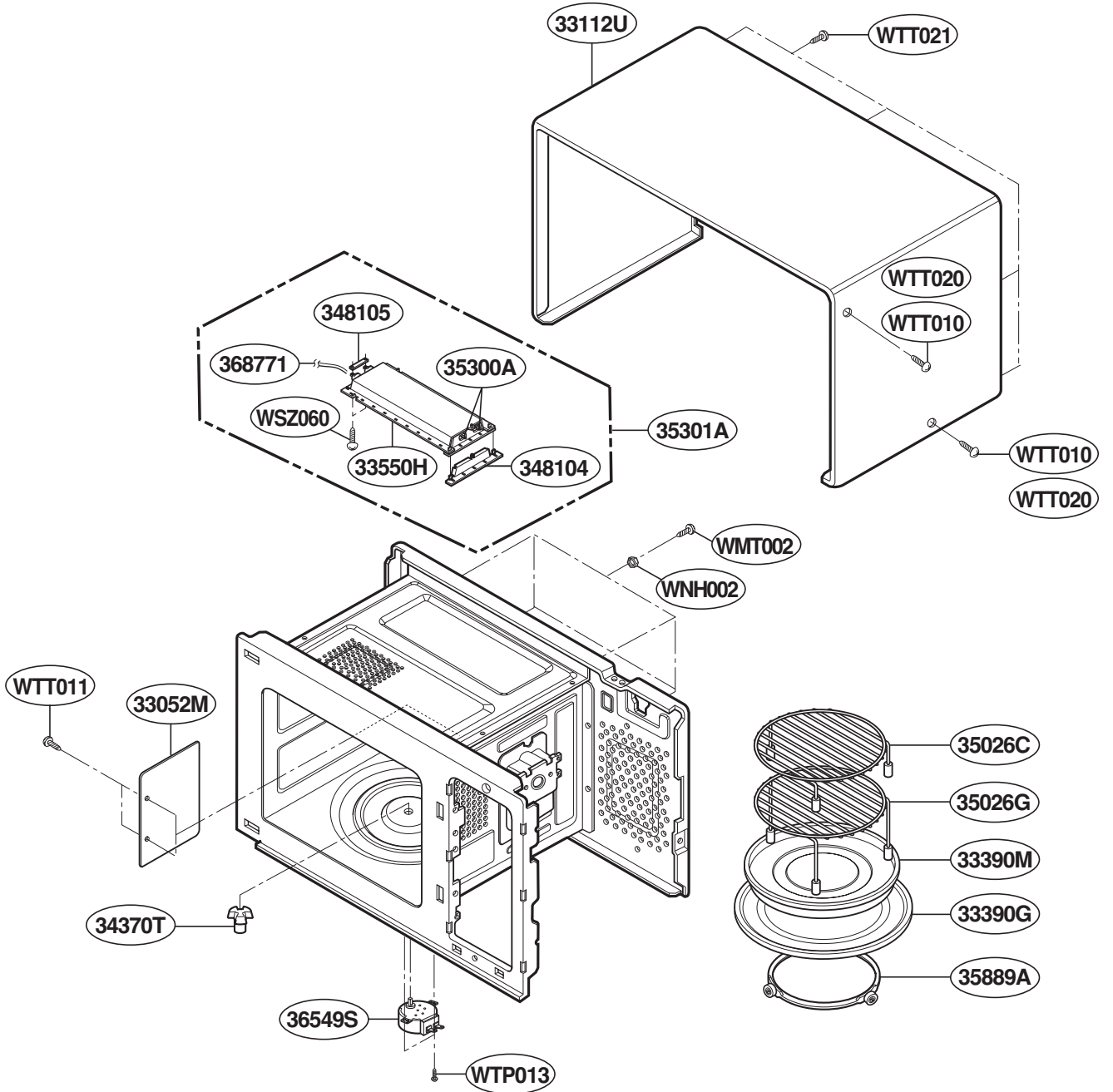
For Model : KCMC155JBL  
KCMC155JWH  
KCMC155JBT



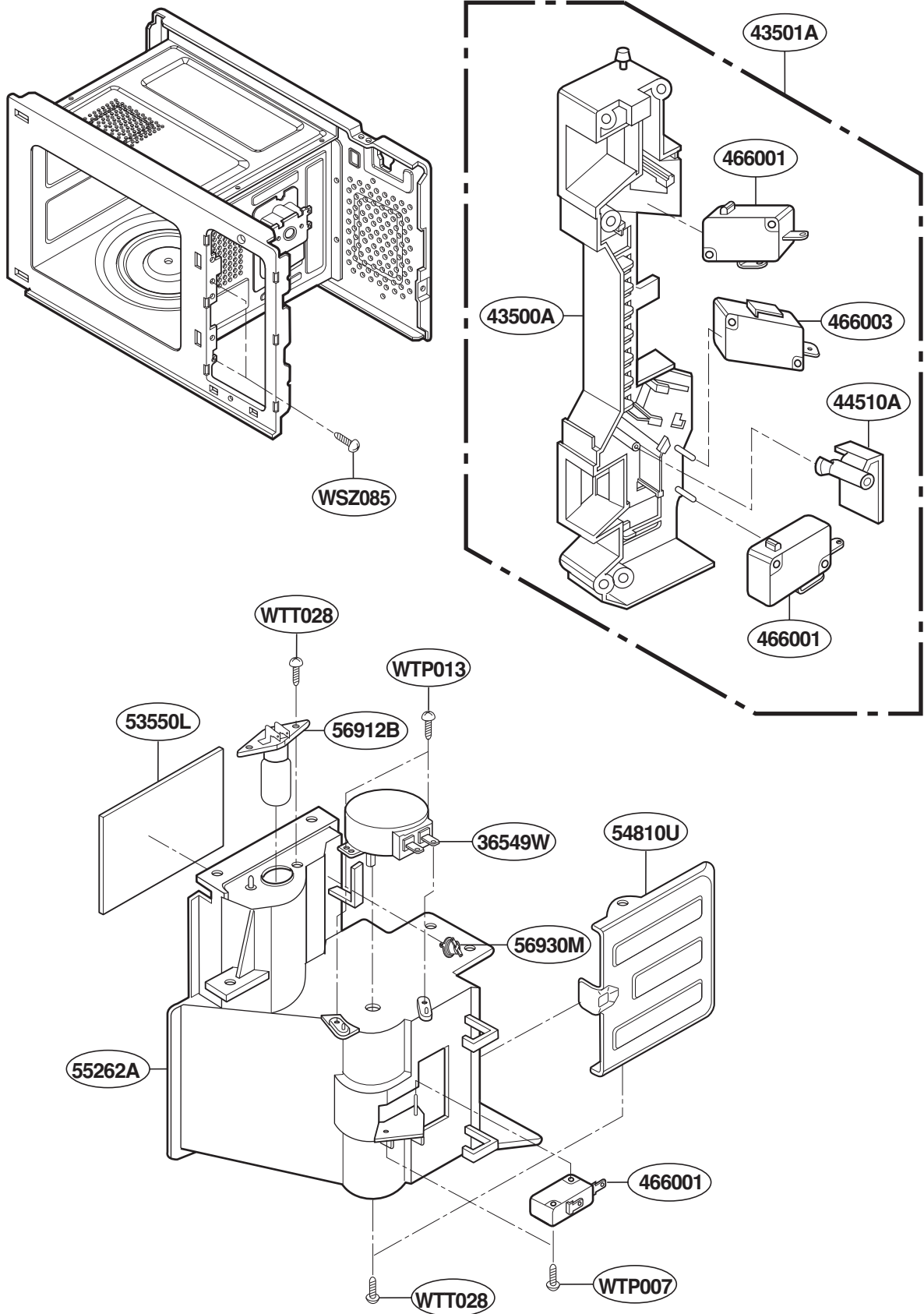
For Model : KCMC155JSS



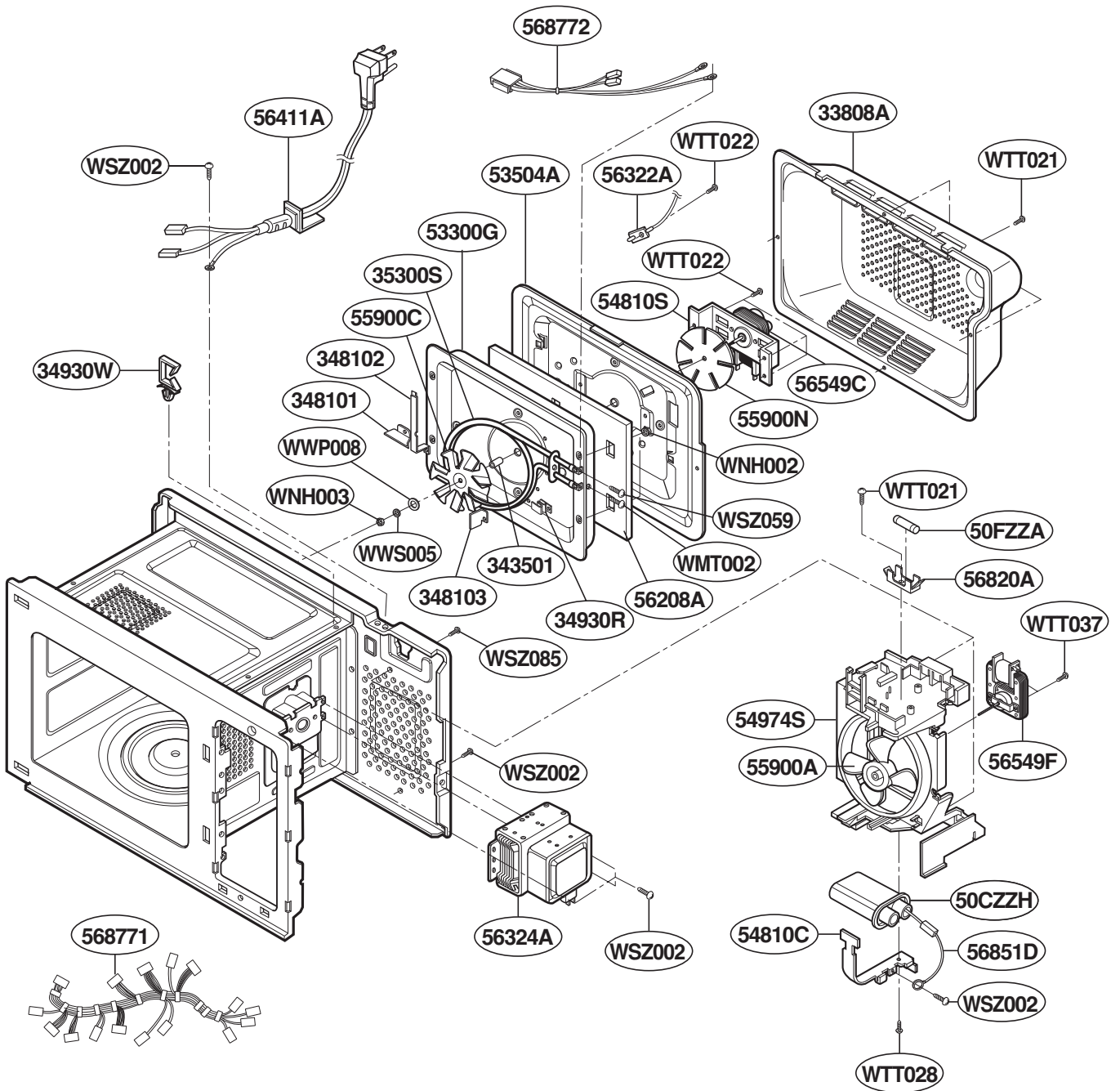
# OVEN CAVITY PARTS



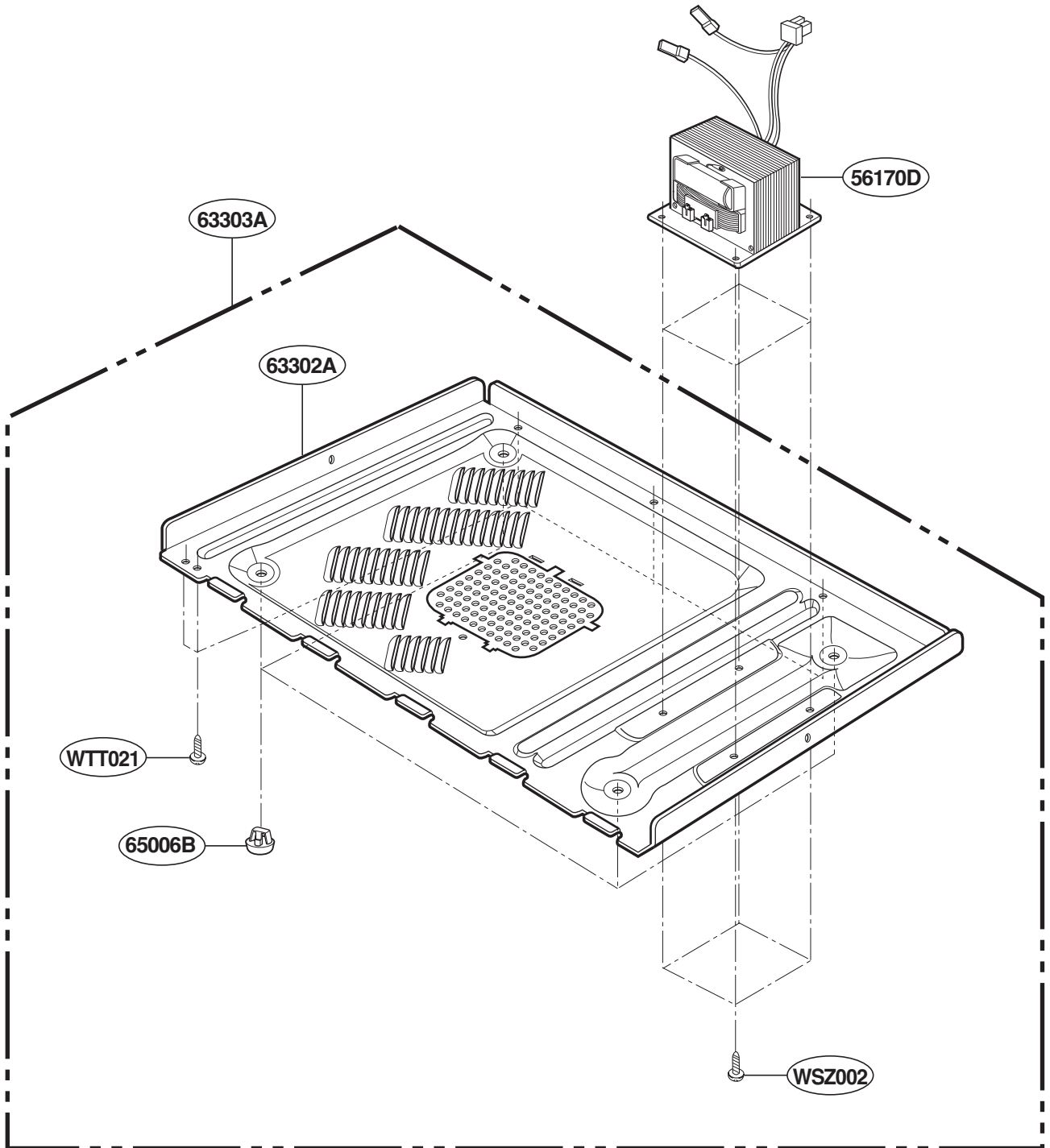
# LATCH BOARD PARTS



# INTERIOR PARTS



# BASE PLATE PARTS



# SENSOR PARTS

