

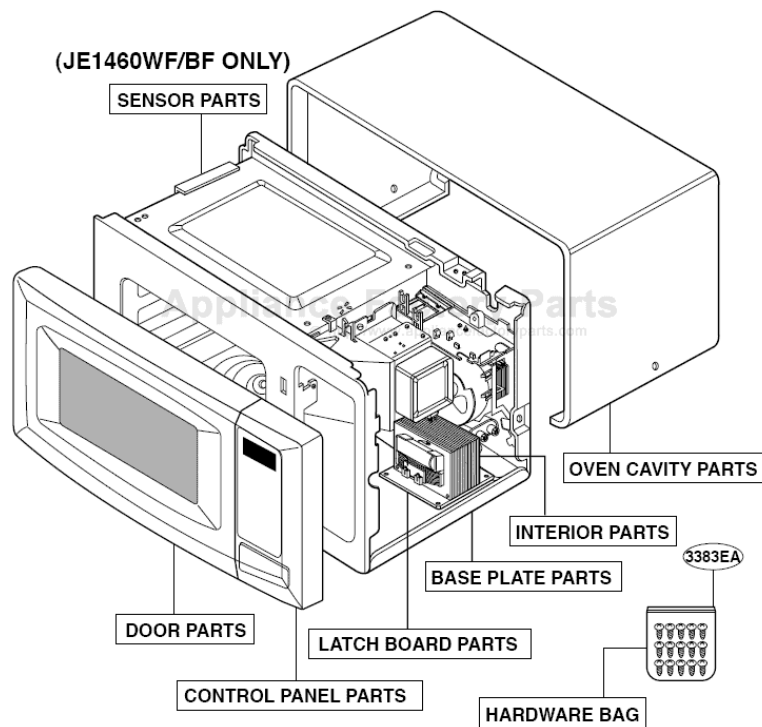
This Owner's Manual is provided and hosted by [Appliance Factory Parts](#).



GE JE1460WF Owner's Manual

[Shop genuine replacement parts for GE JE1460WF](#)

JE1440WF/BF
JE1460WF/BF



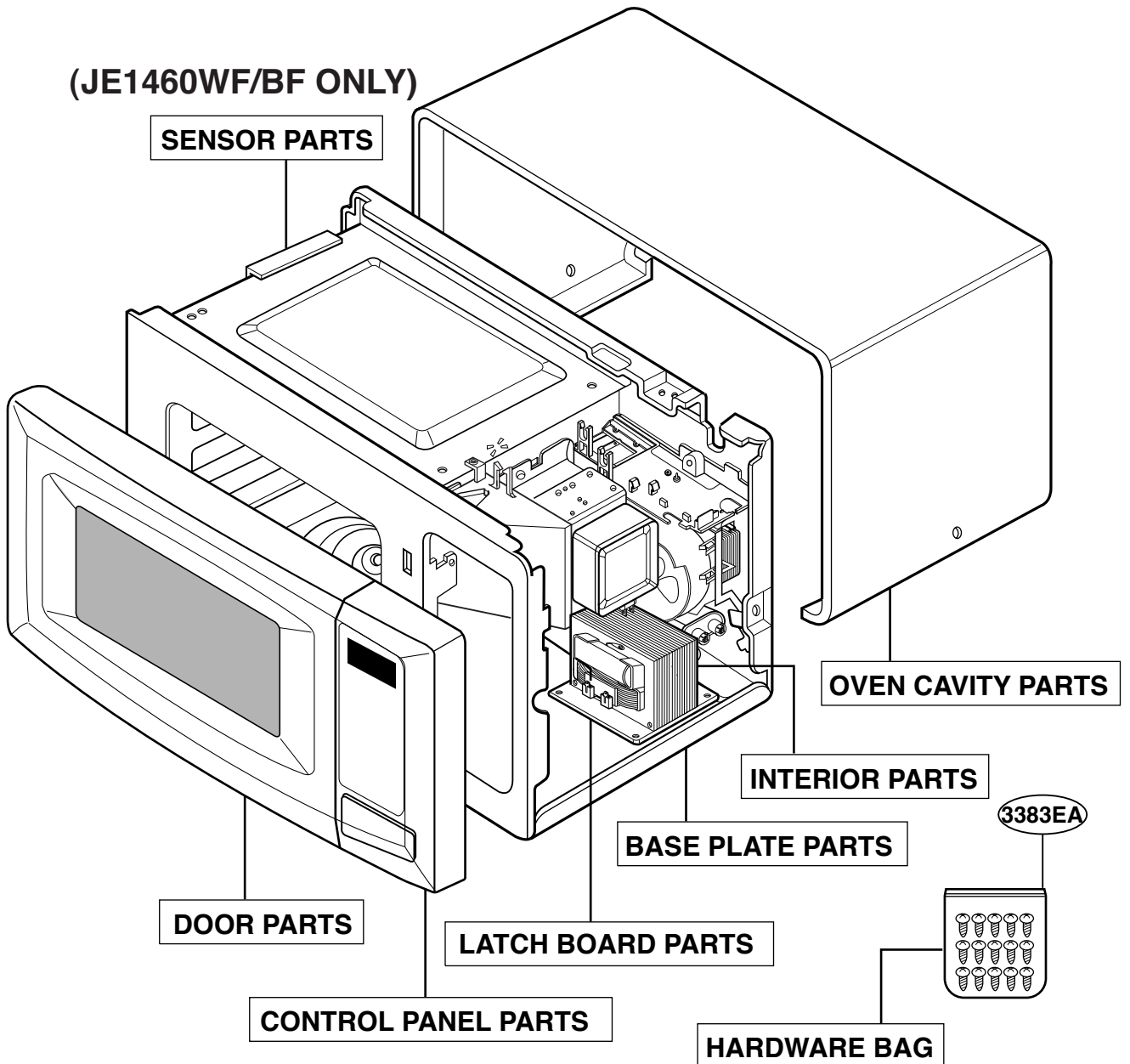
[Find Your GE Microwave Parts - Select From 3055 Models](#)

----- Manual continues below -----

EXPLODED VIEW

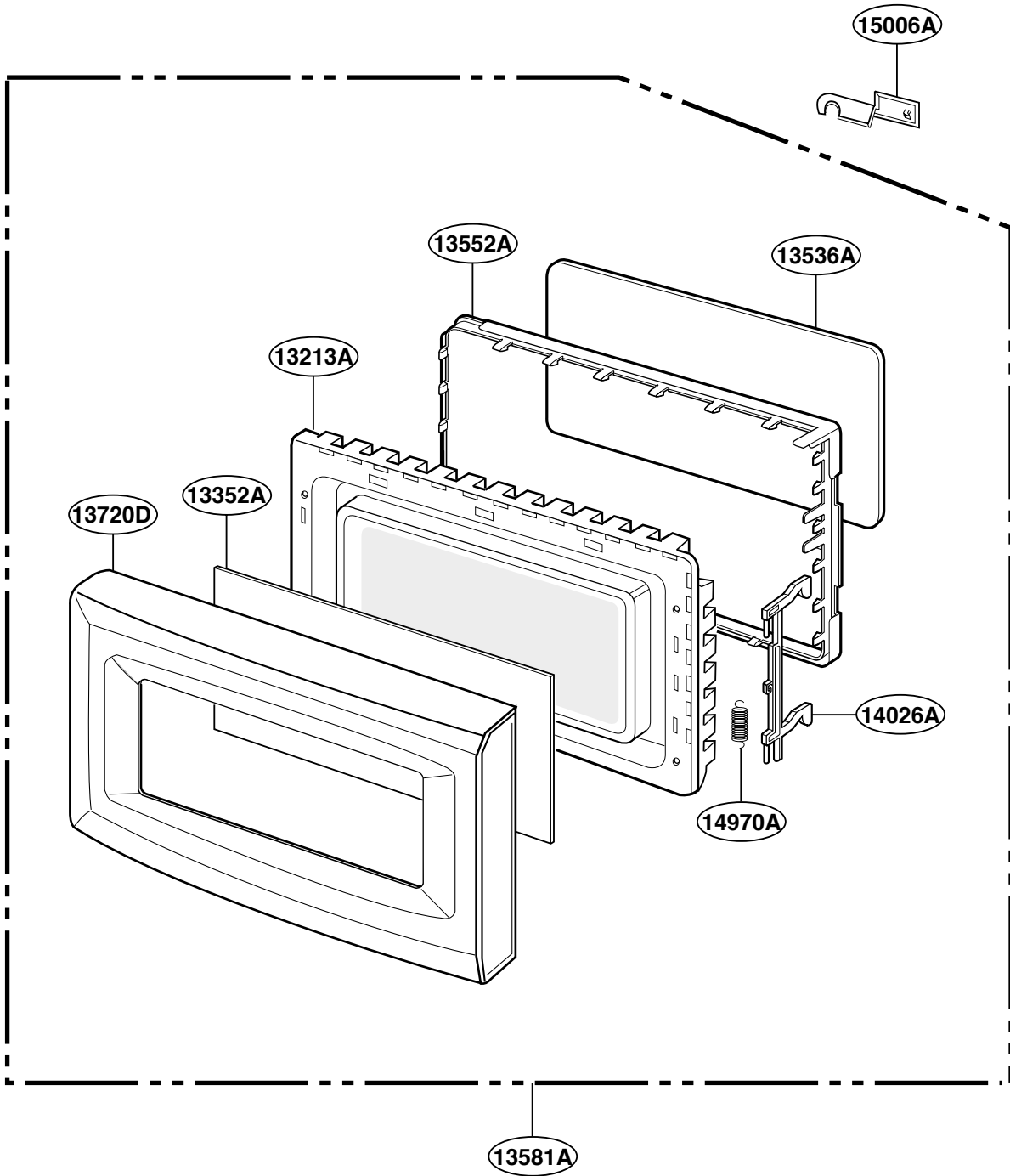
INTRODUCTION

JE1440WF/BF
JE1460WF/BF



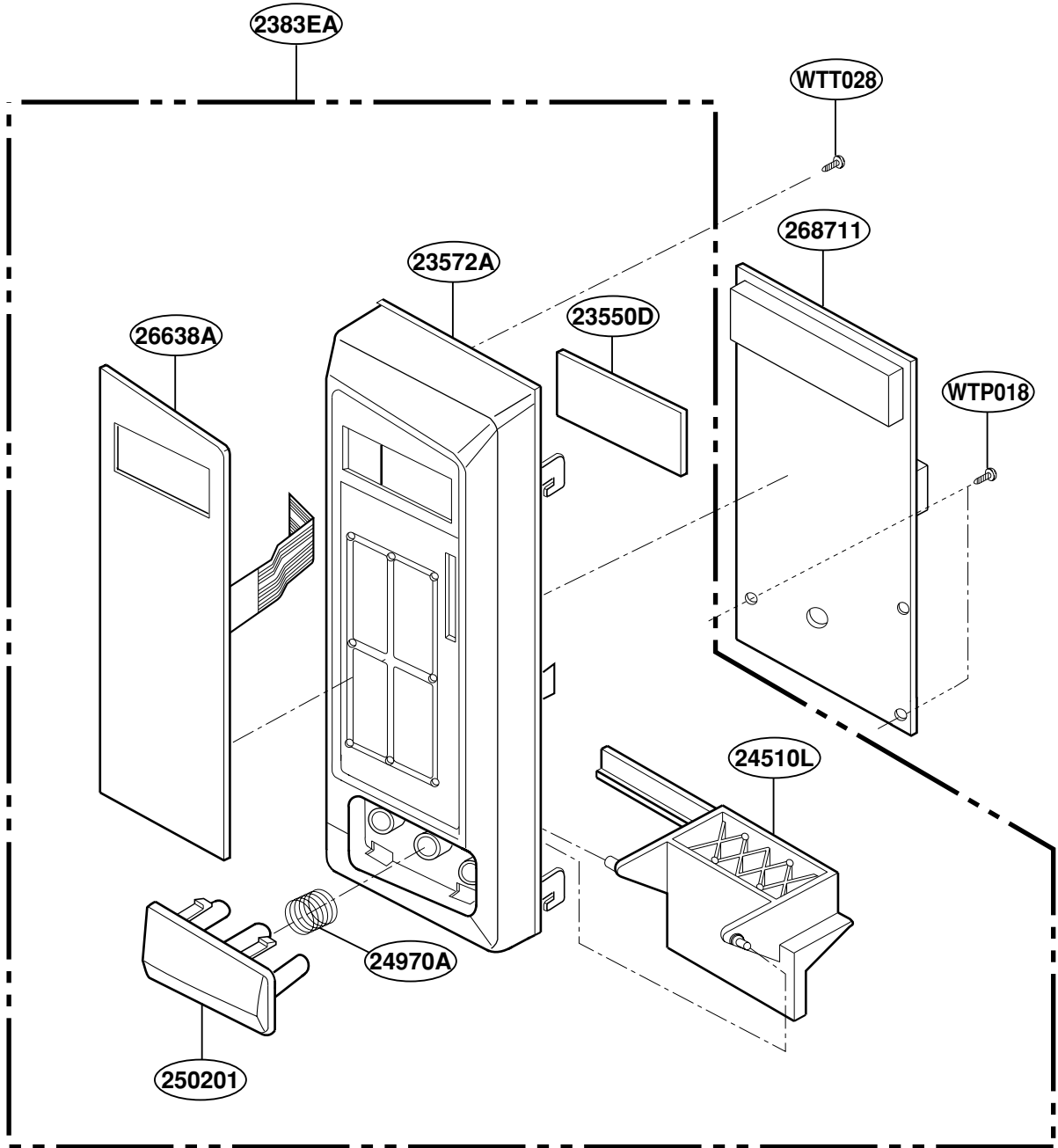
DOOR PARTS

JE1440WF/BF
JE1460WF/BF



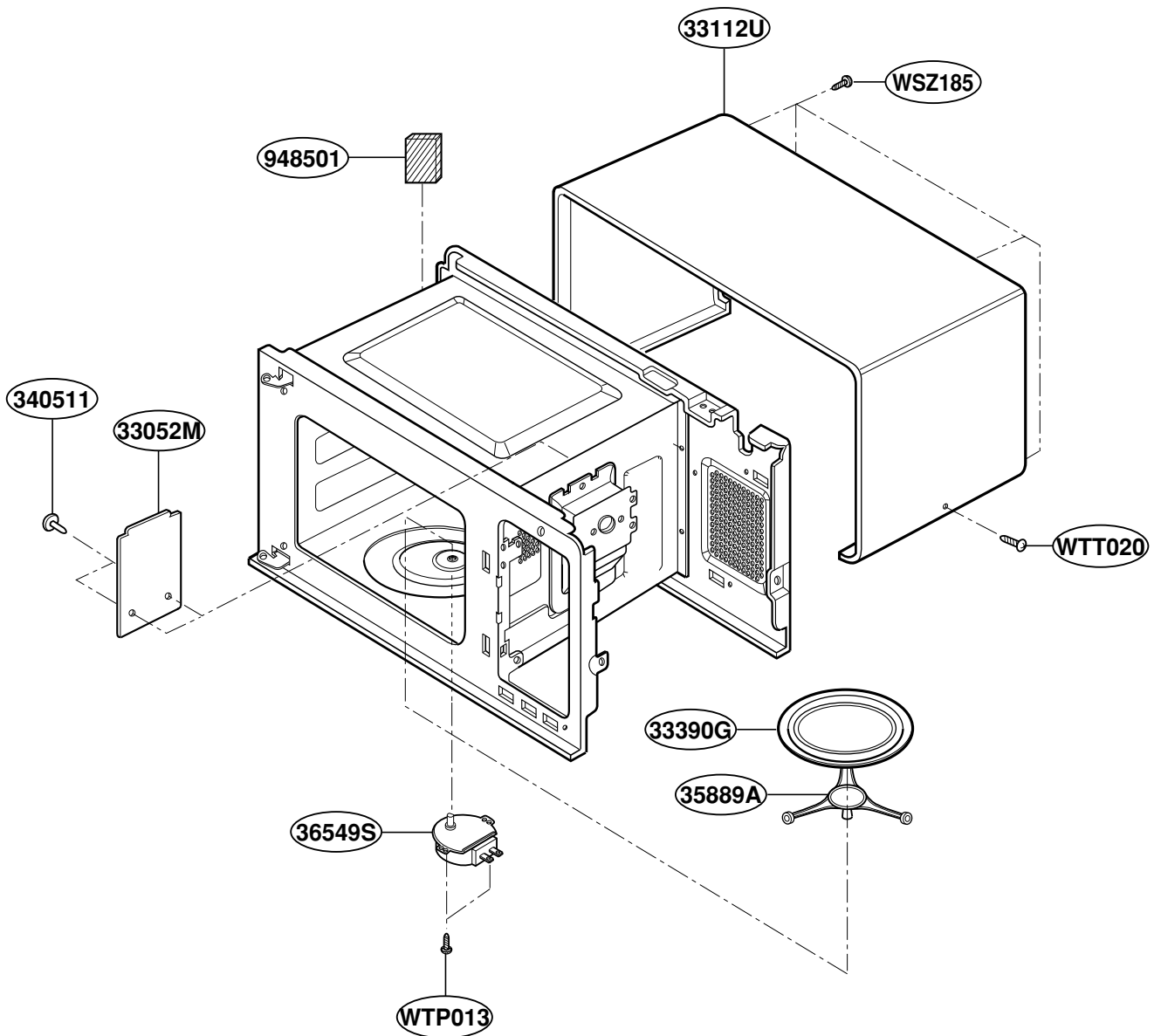
CONTROL PANEL PARTS

JE1440WF/BF
JE1460WF/BF



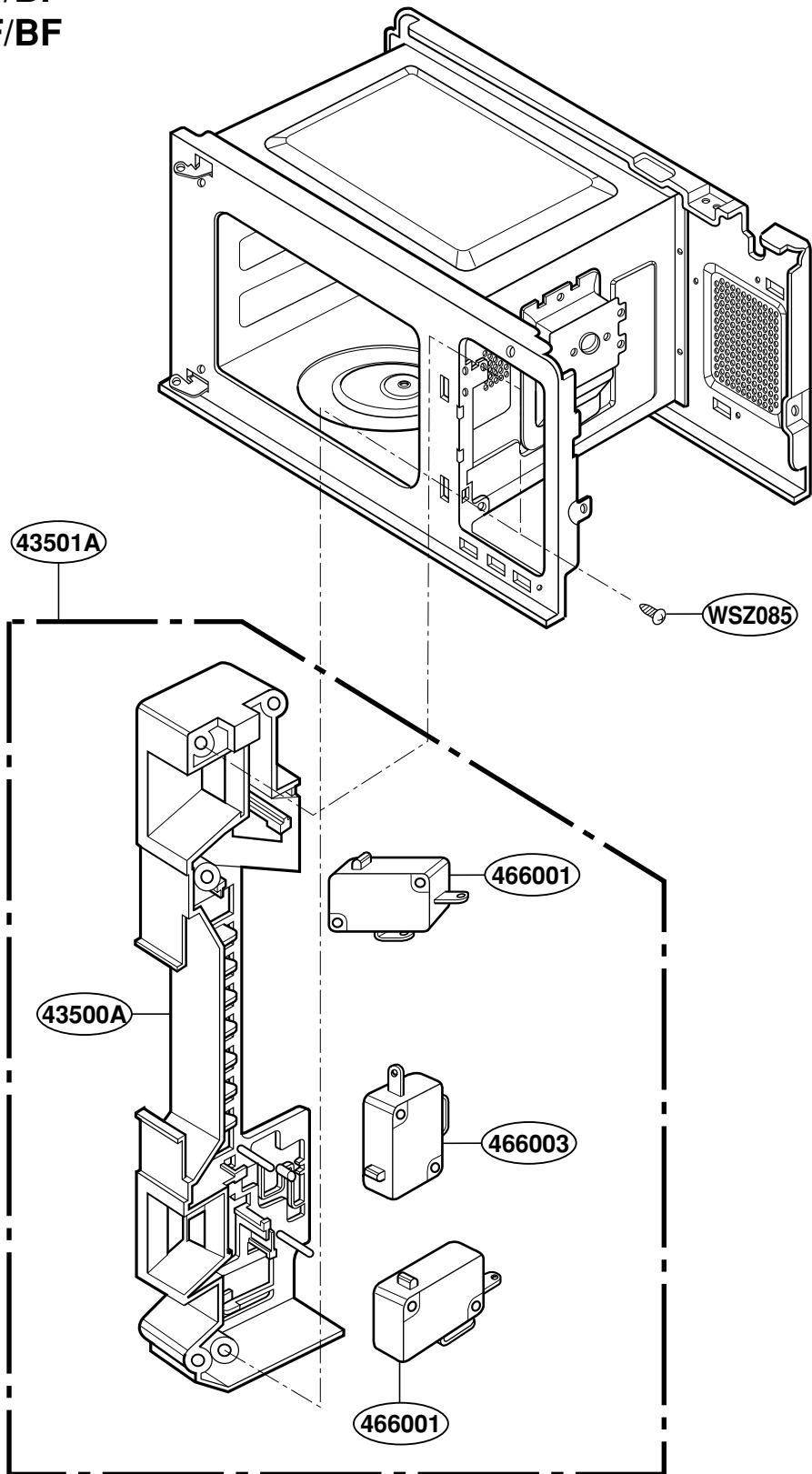
OVEN CAVITY PARTS

JE1440WF/BF
JE1460WF/BF



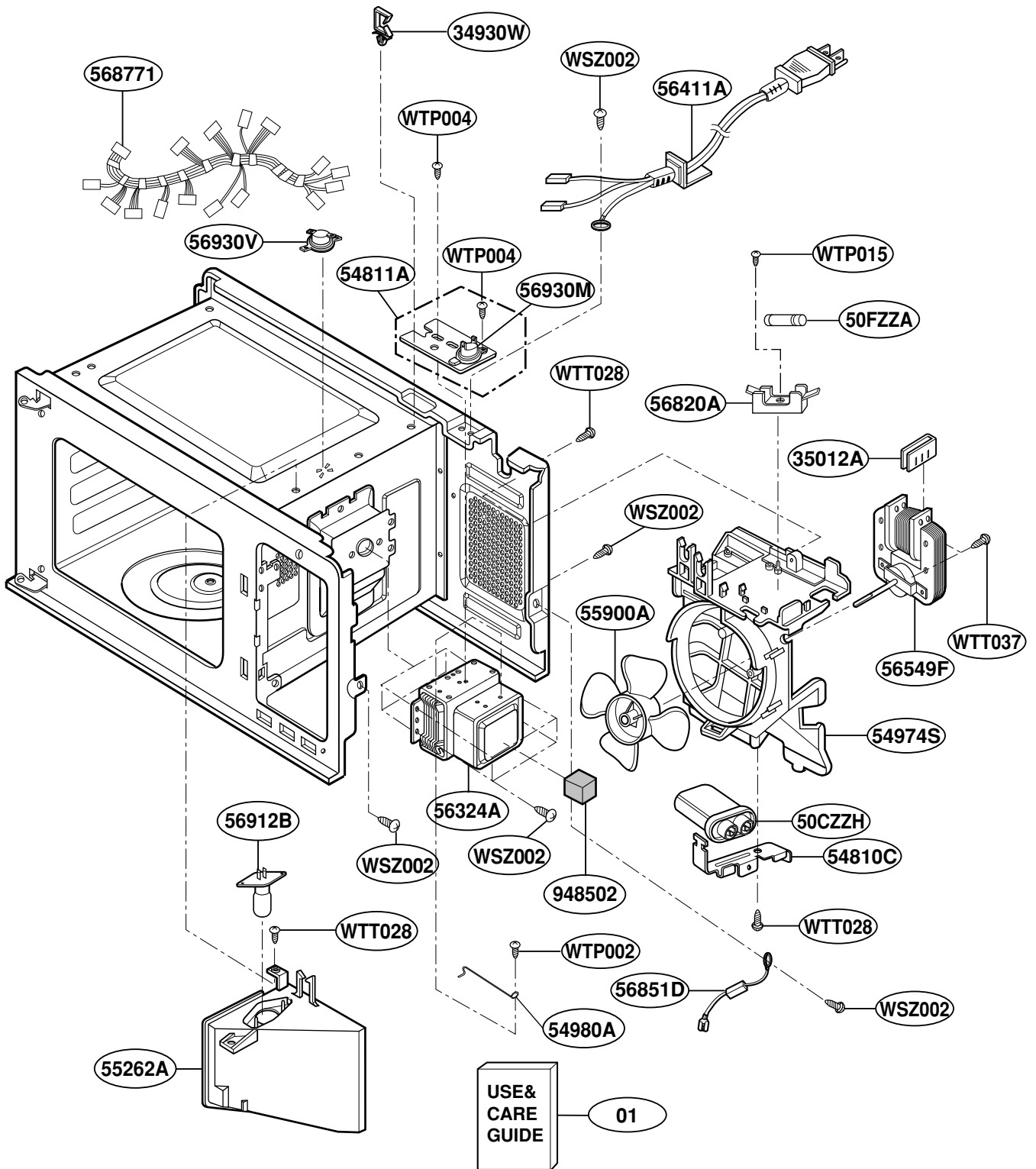
LATCH BOARD PARTS

JE1440WF/BF
JE1460WF/BF



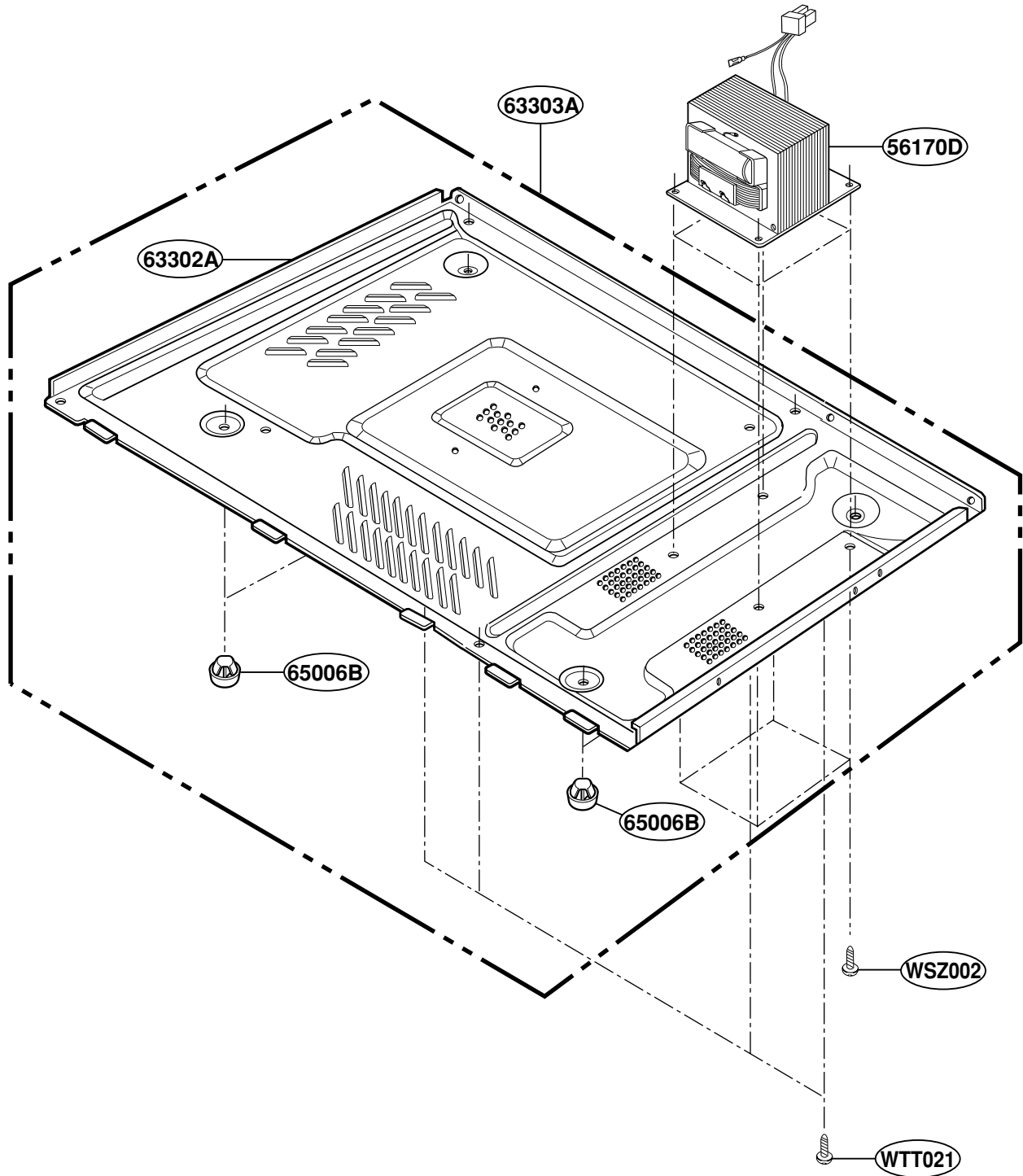
INTERIOR PARTS

JE1440WF/BF
JE1460WF/BF



BASE PLATE PARTS

JE1440WF/BF
JE1460WF/BF



SENSOR PARTS

JE1460WF/BF

