

This Owner's Manual is provided and hosted by Appliance Factory Parts.

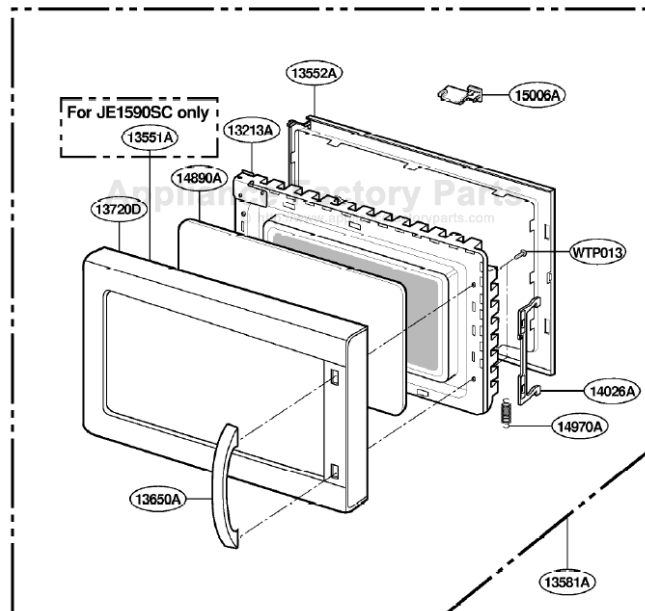


GE JE1590WC Owner's Manual

[Shop genuine replacement parts for GE JE1590WC](#)

DOOR PARTS

MODEL: JE1590



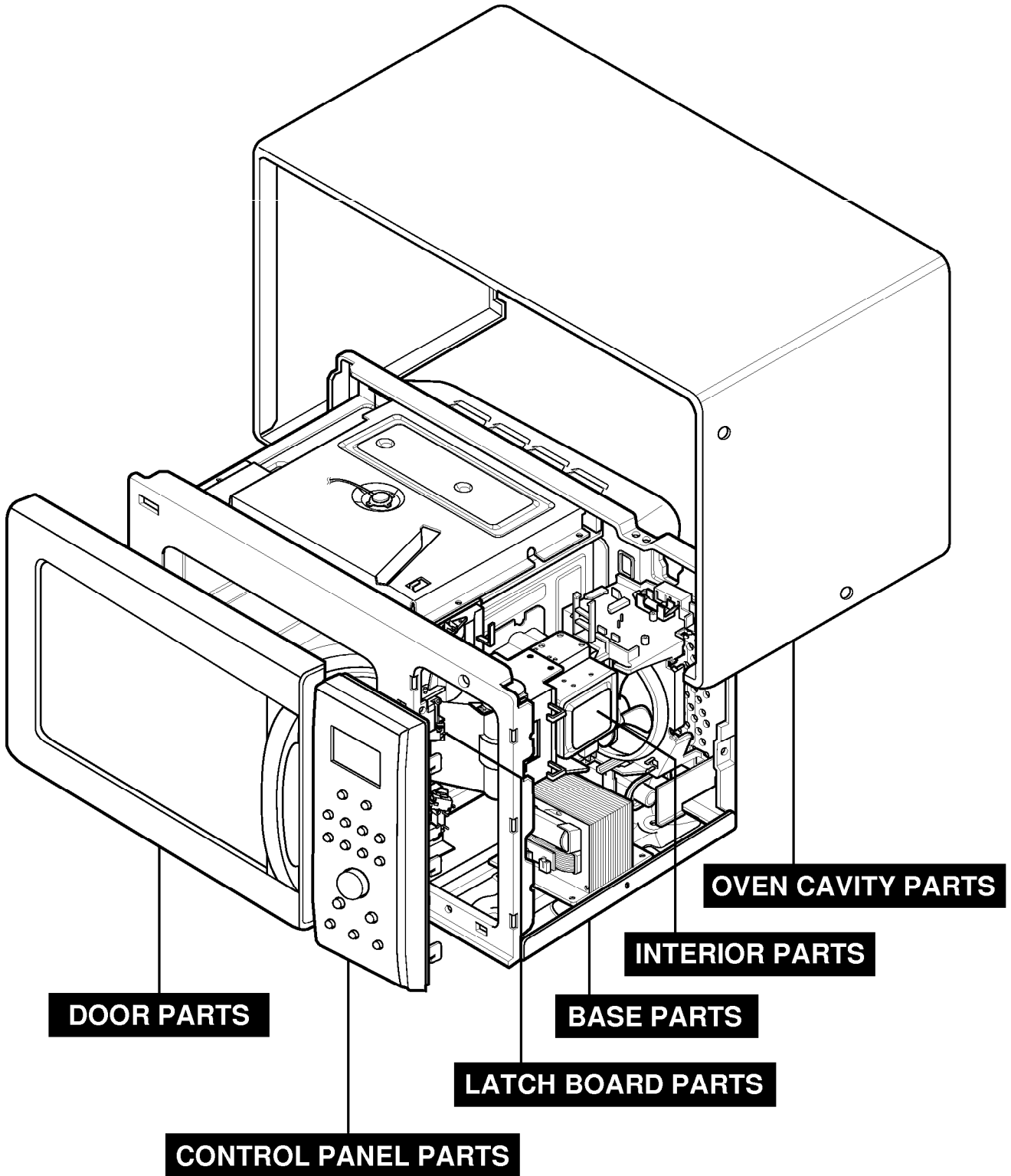
[Find Your GE Microwave Parts - Select From 3055 Models](#)

----- Manual continues below -----

EXPLODED VIEW

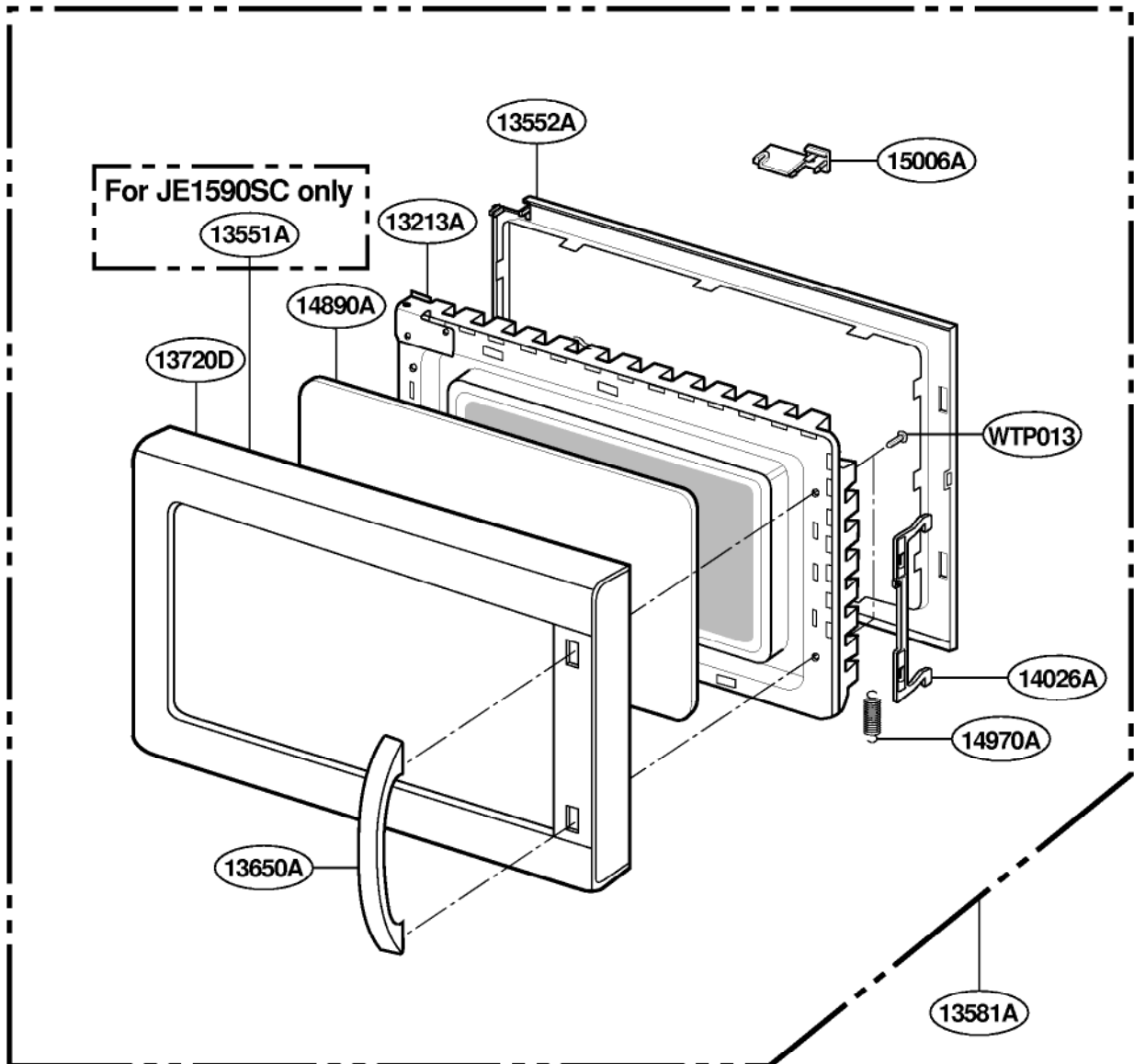
INTRODUCTION

MODEL: JE1590



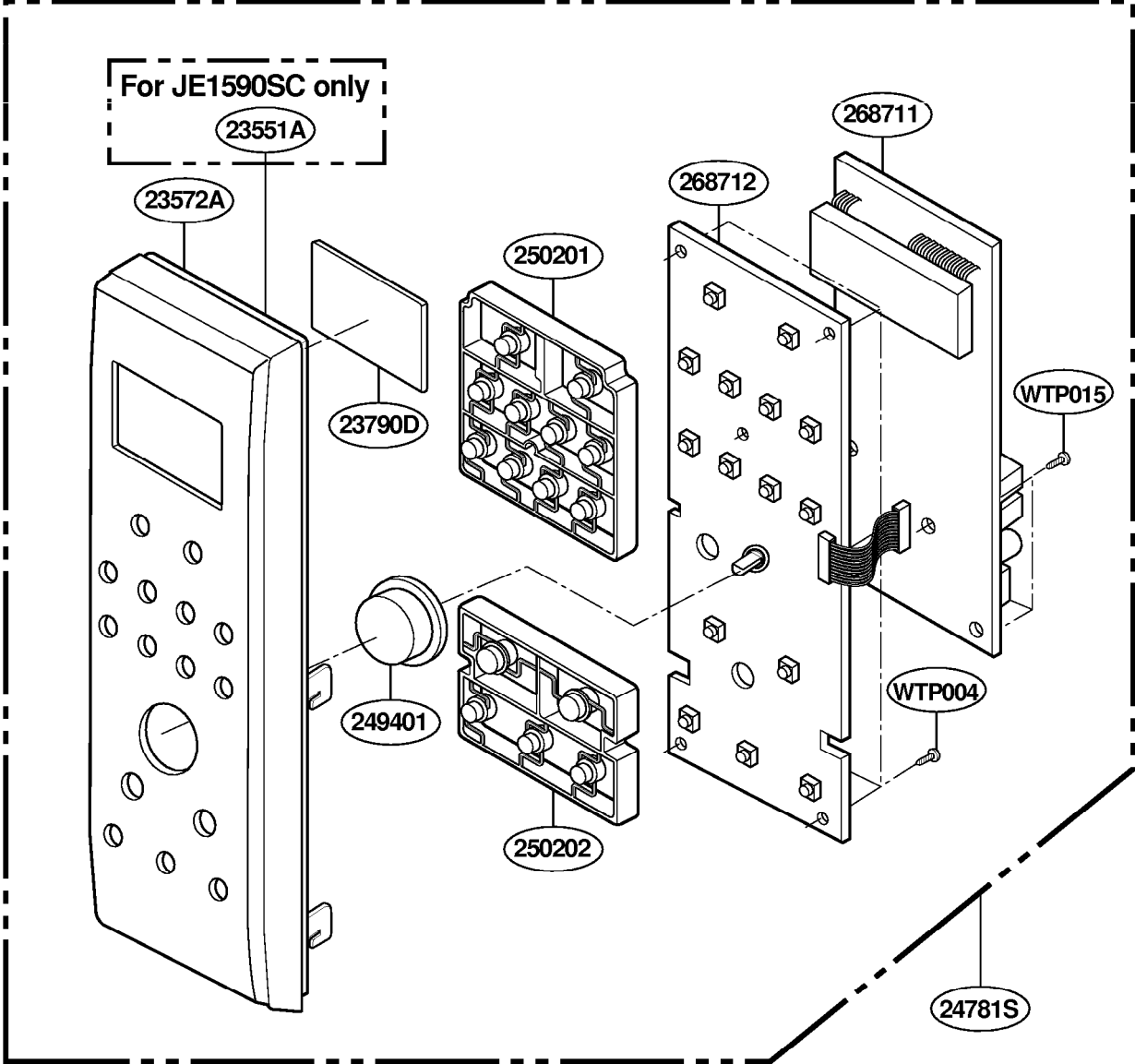
DOOR PARTS

MODEL: JE1590



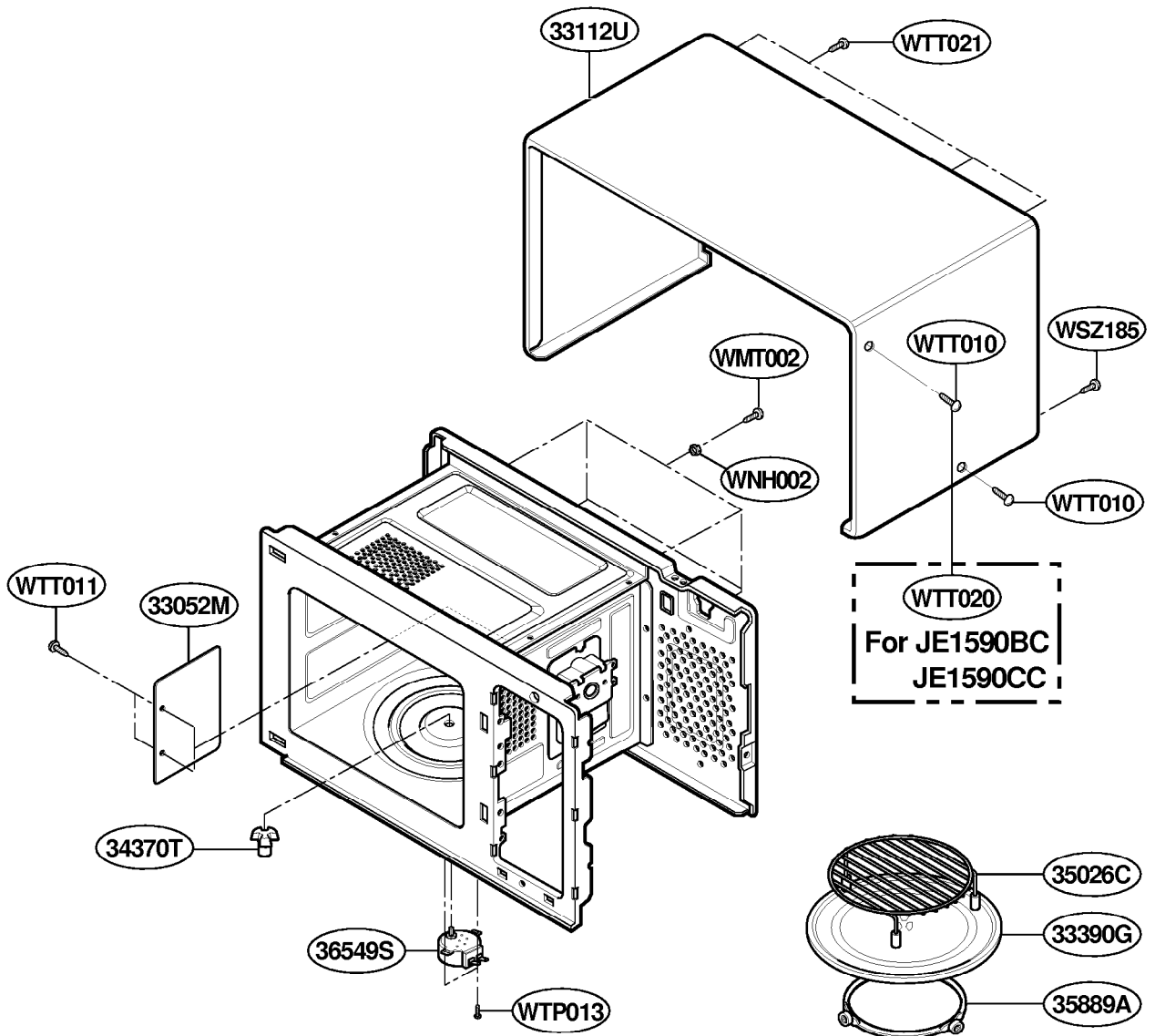
CONTROLLER PARTS

MODEL: JE1590



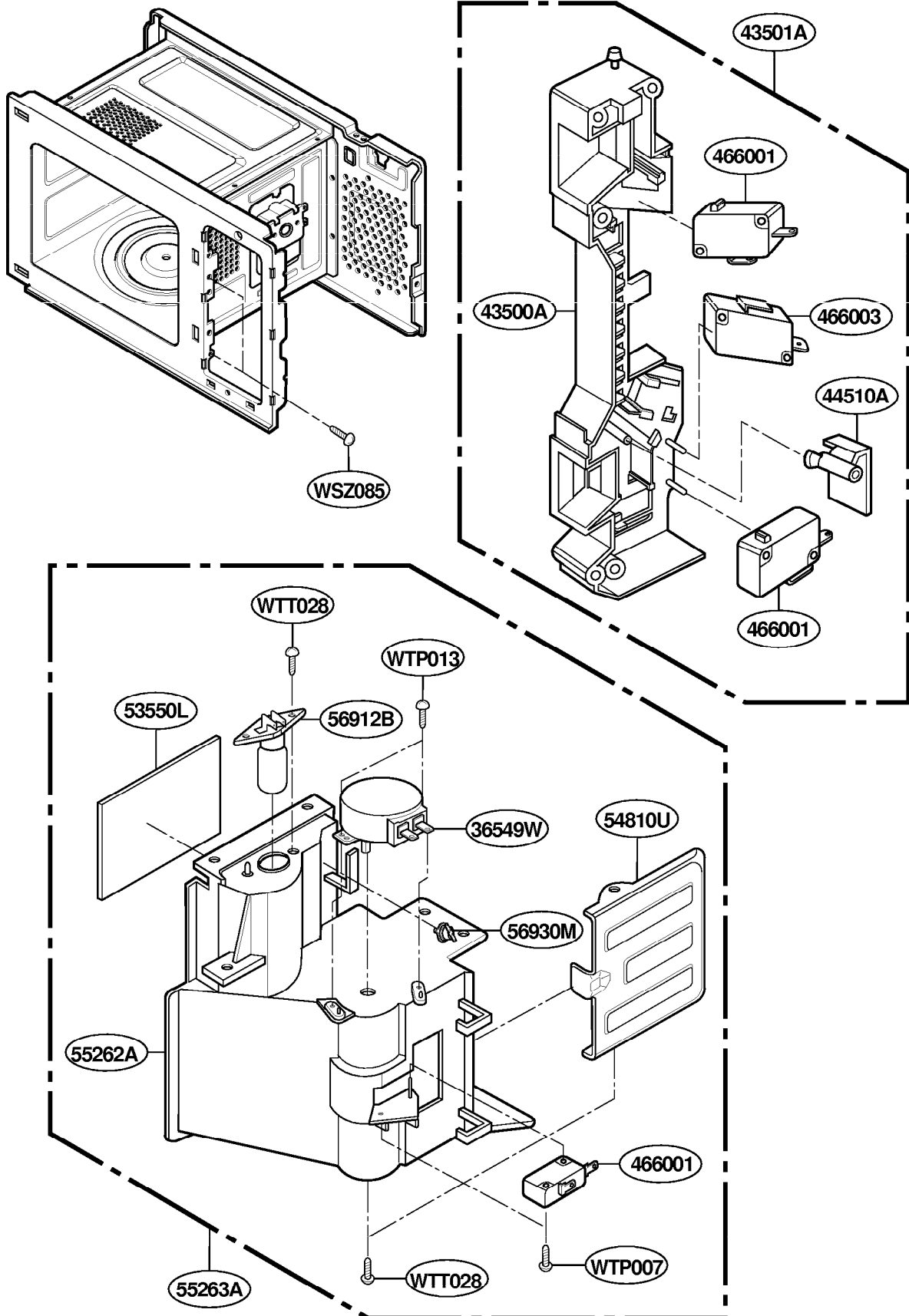
OVEN CAVITY PARTS

MODEL: JE1590



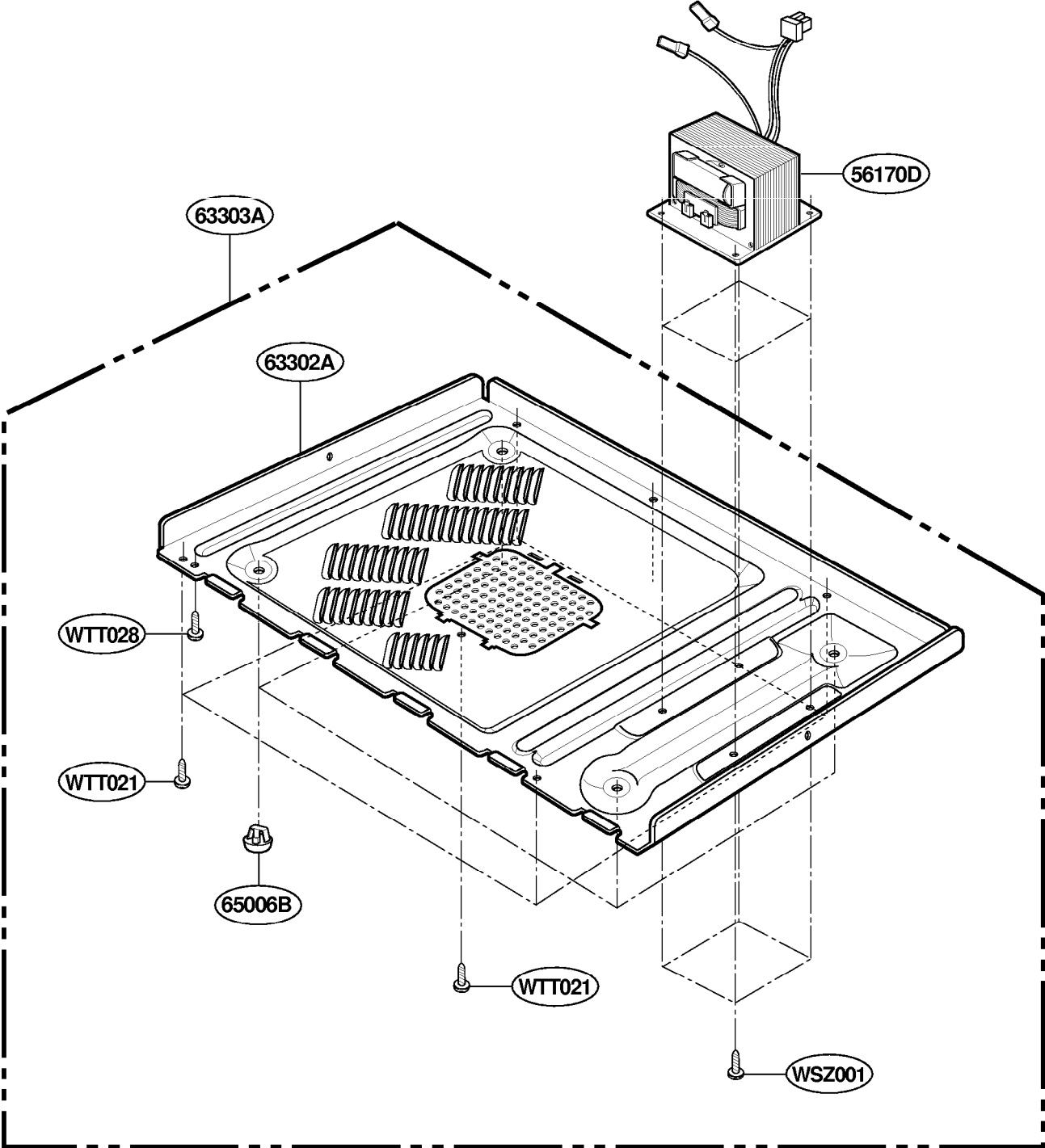
LATCH BOARD PARTS

MODEL: JE1590



BASE PLATE PARTS

MODEL: JE1590



SENSOR PARTS

MODEL: JE1590

