

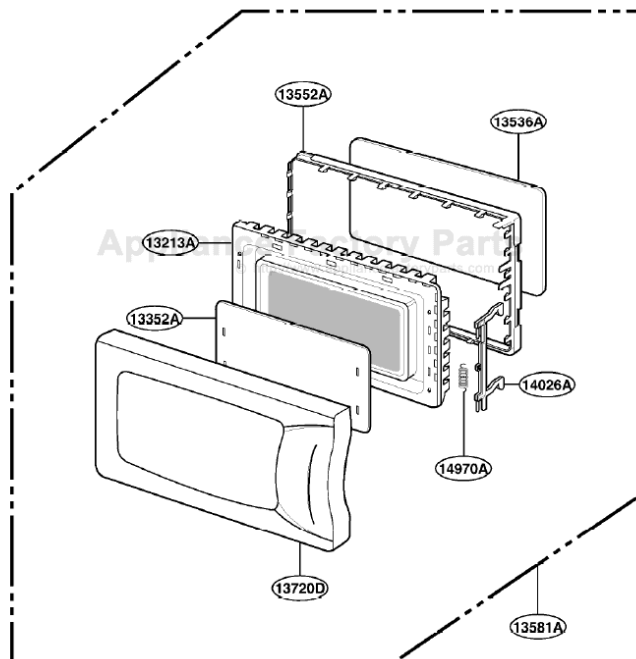
This Owner's Manual is provided and hosted by [Appliance Factory Parts](#).



GE JE1840GB Owner's Manual

[Shop genuine replacement parts for GE JE1840GB](#)

DOOR PARTS

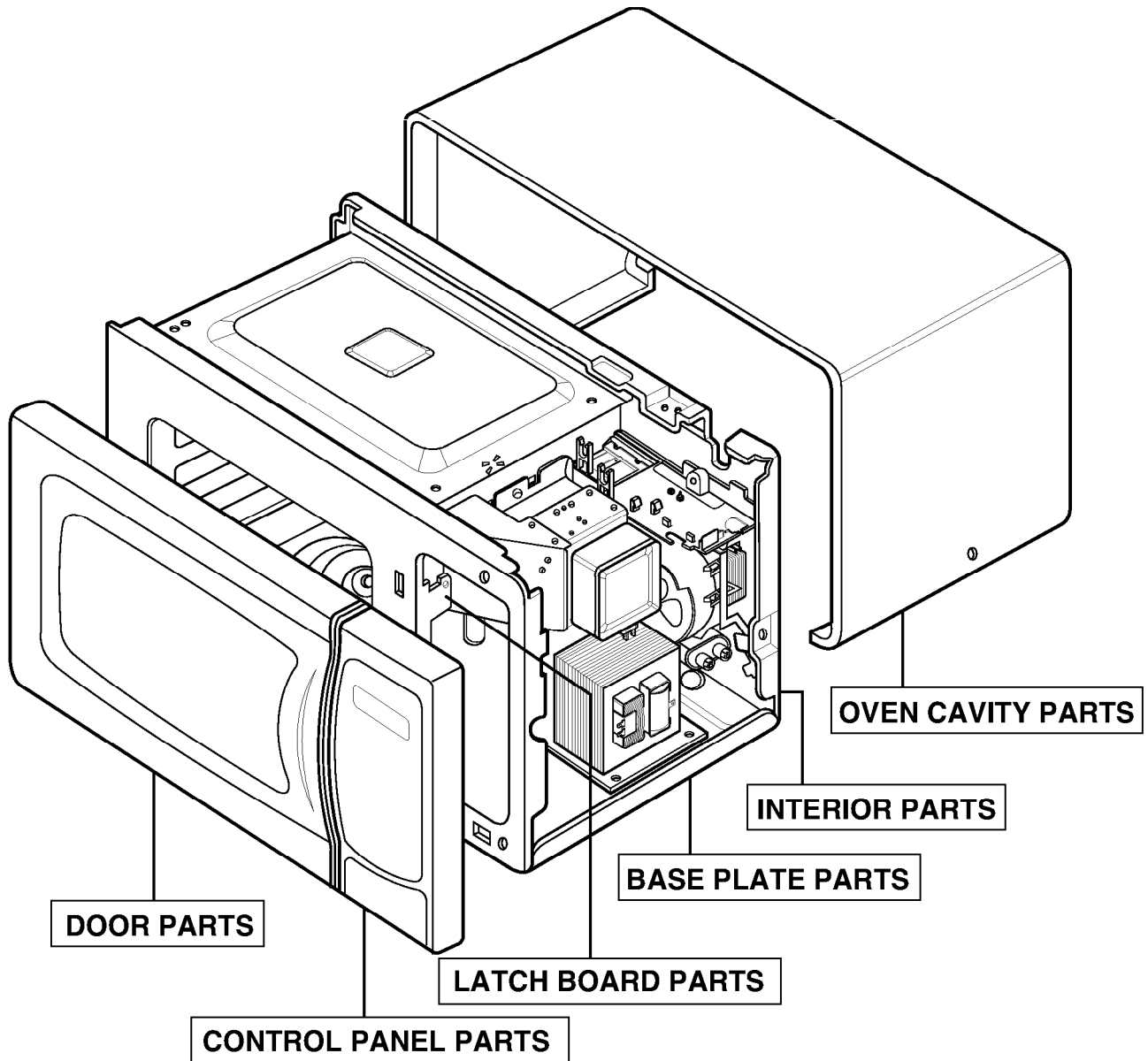


[Find Your GE Microwave Parts - Select From 3055 Models](#)

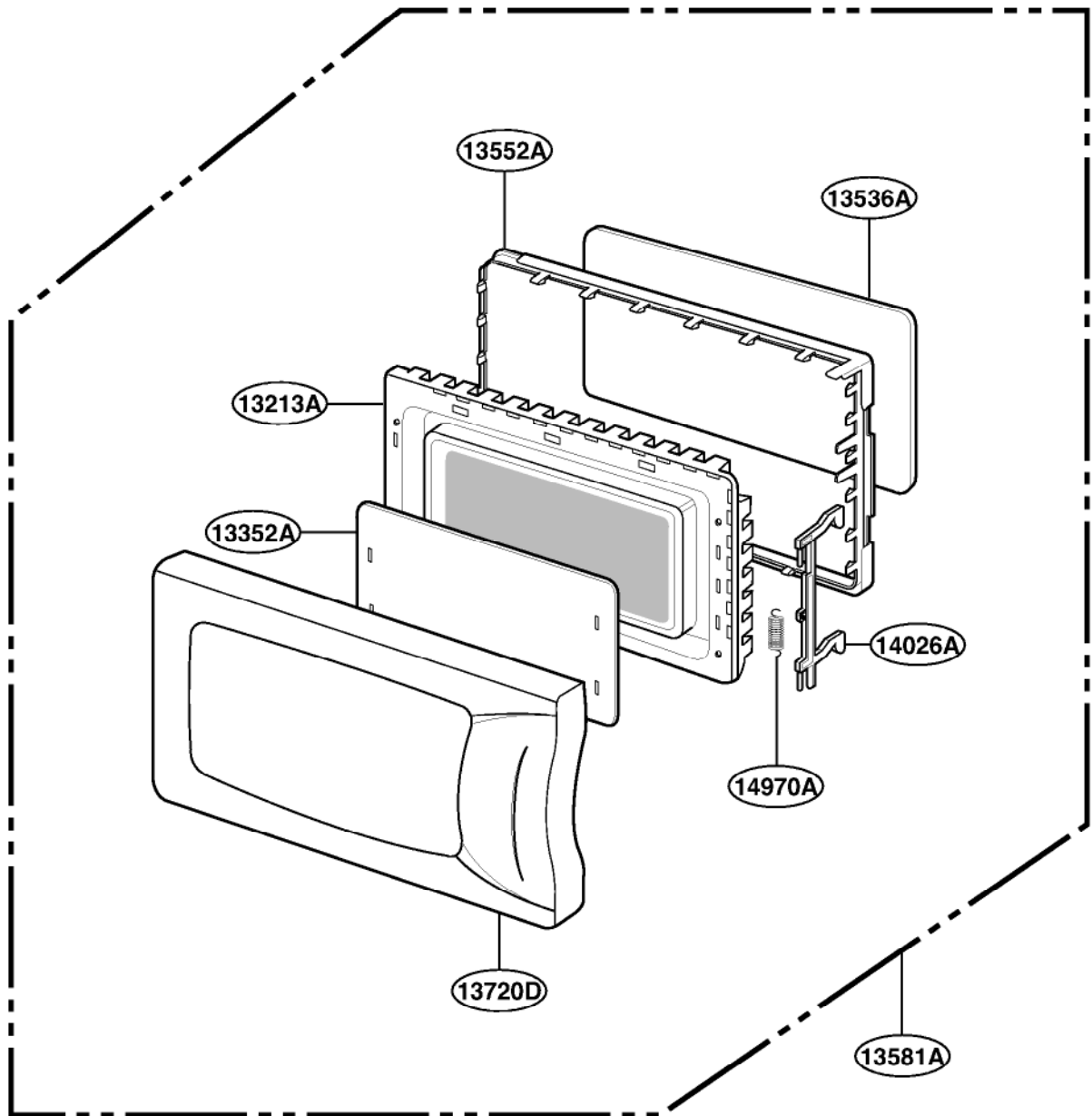
----- Manual continues below -----

EXPLODED VIEW

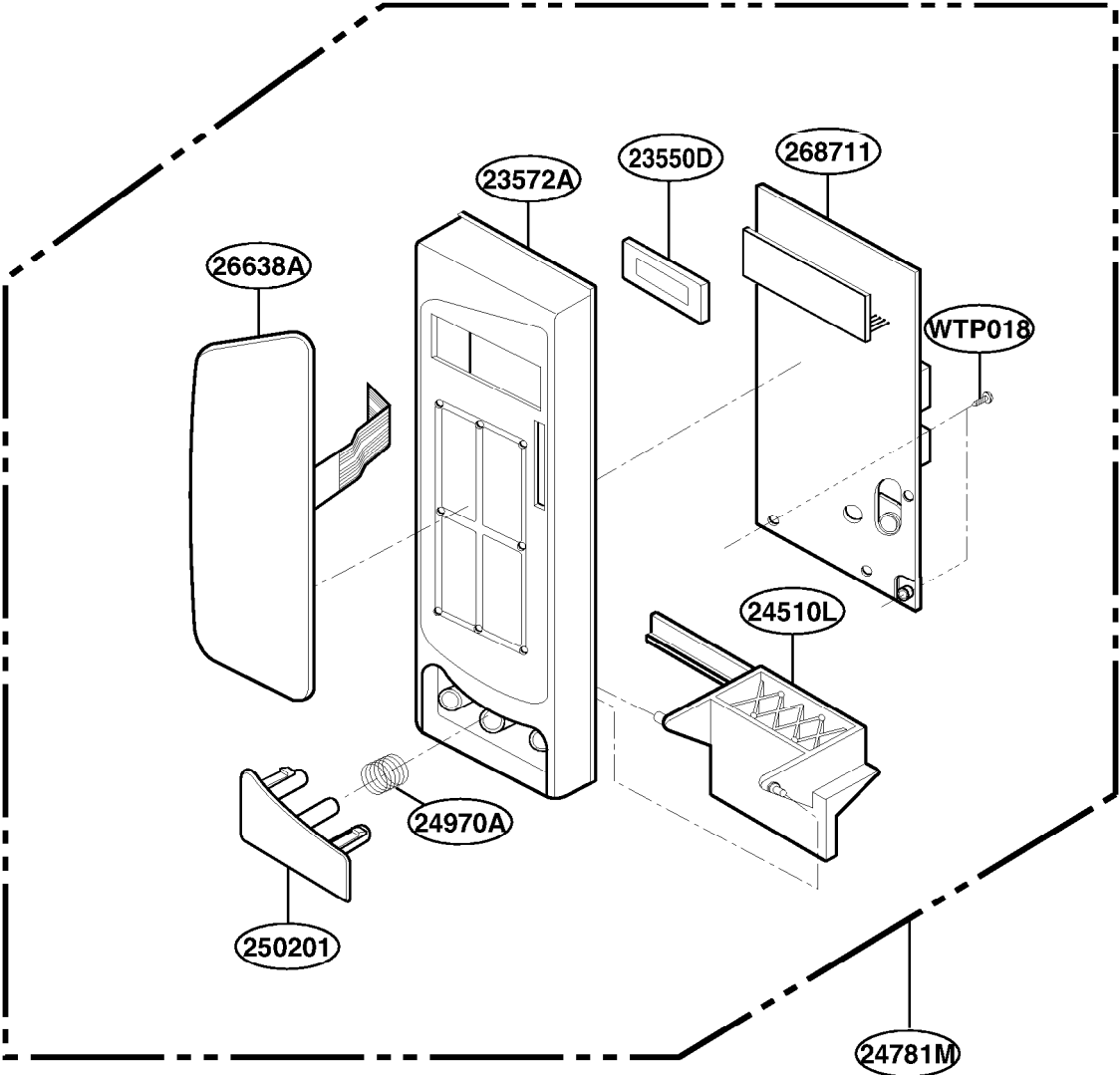
INTRODUCTION



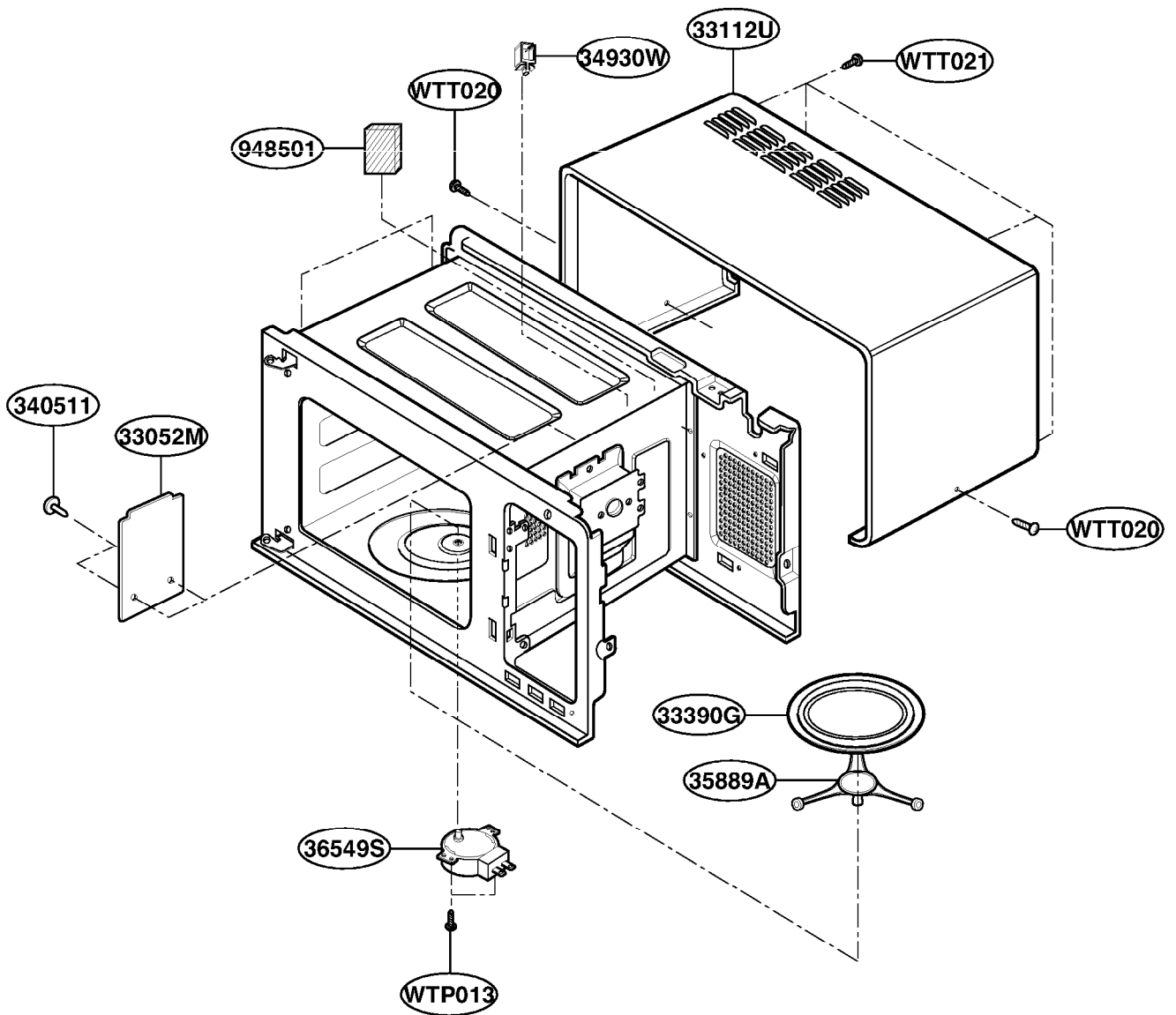
DOOR PARTS



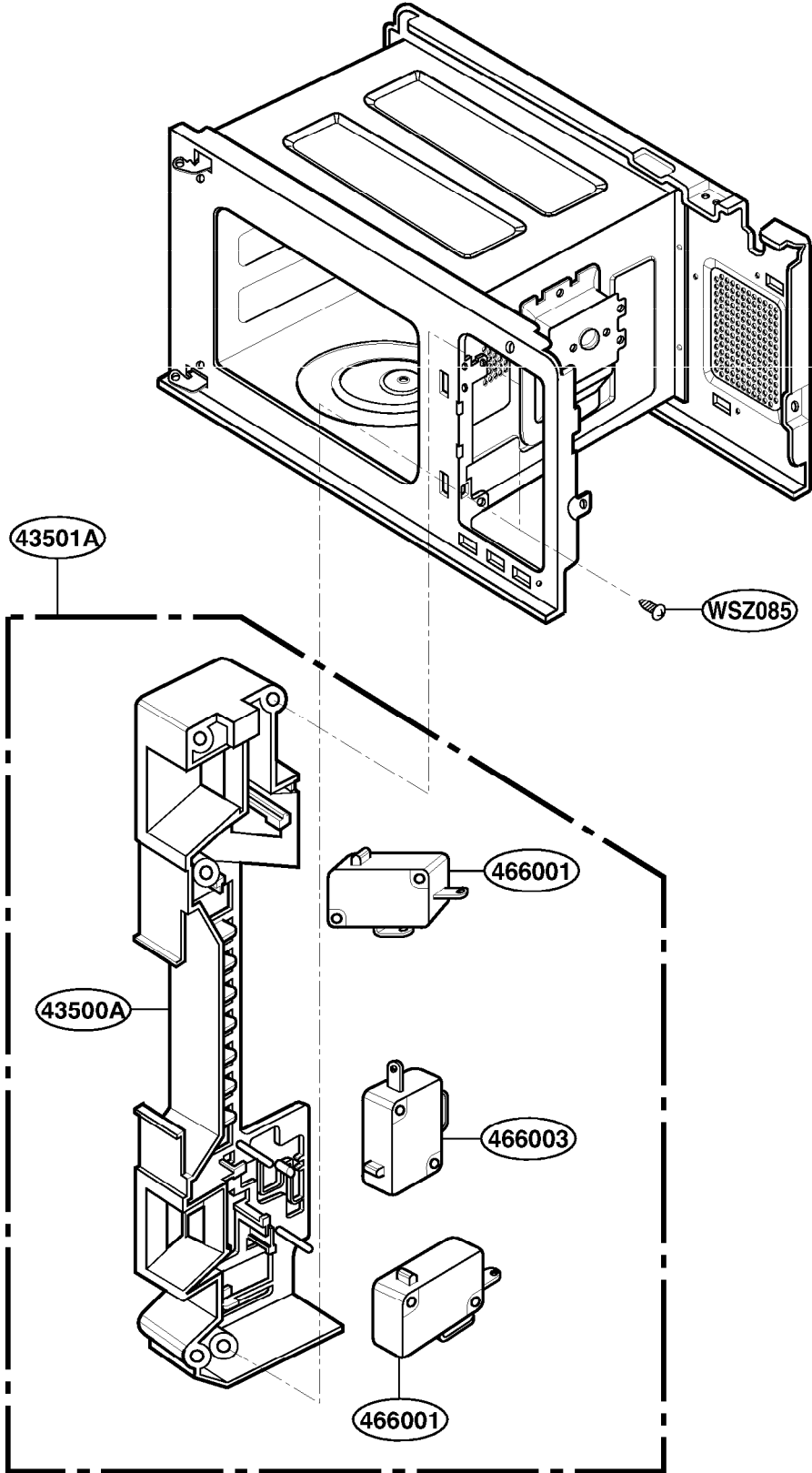
CONTROL PANEL ASSEMBLY PARTS



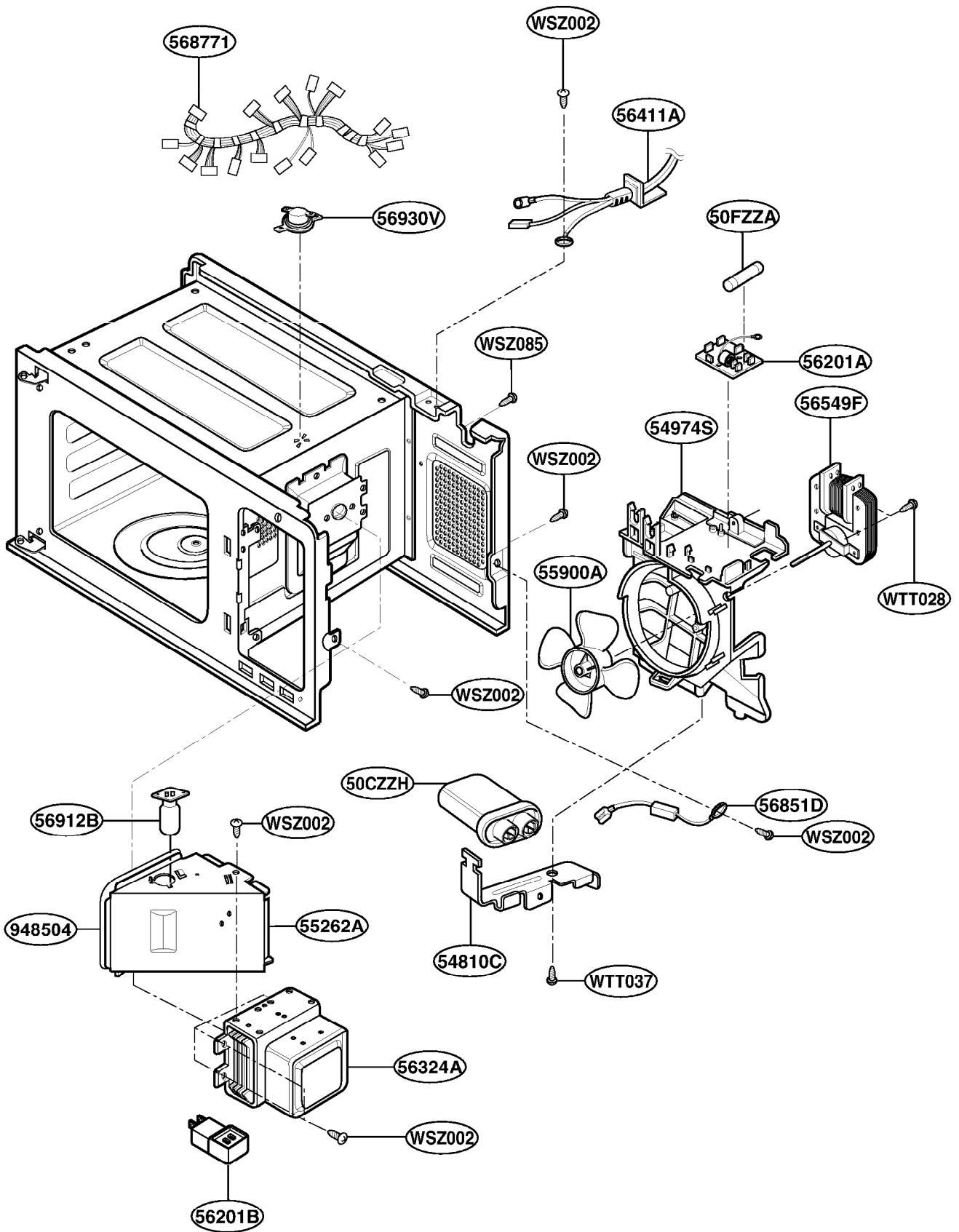
OVEN CAVITY PARTS



LATCH BOARD PARTS



INTERIOR PARTS



BASE PLATE PARTS

