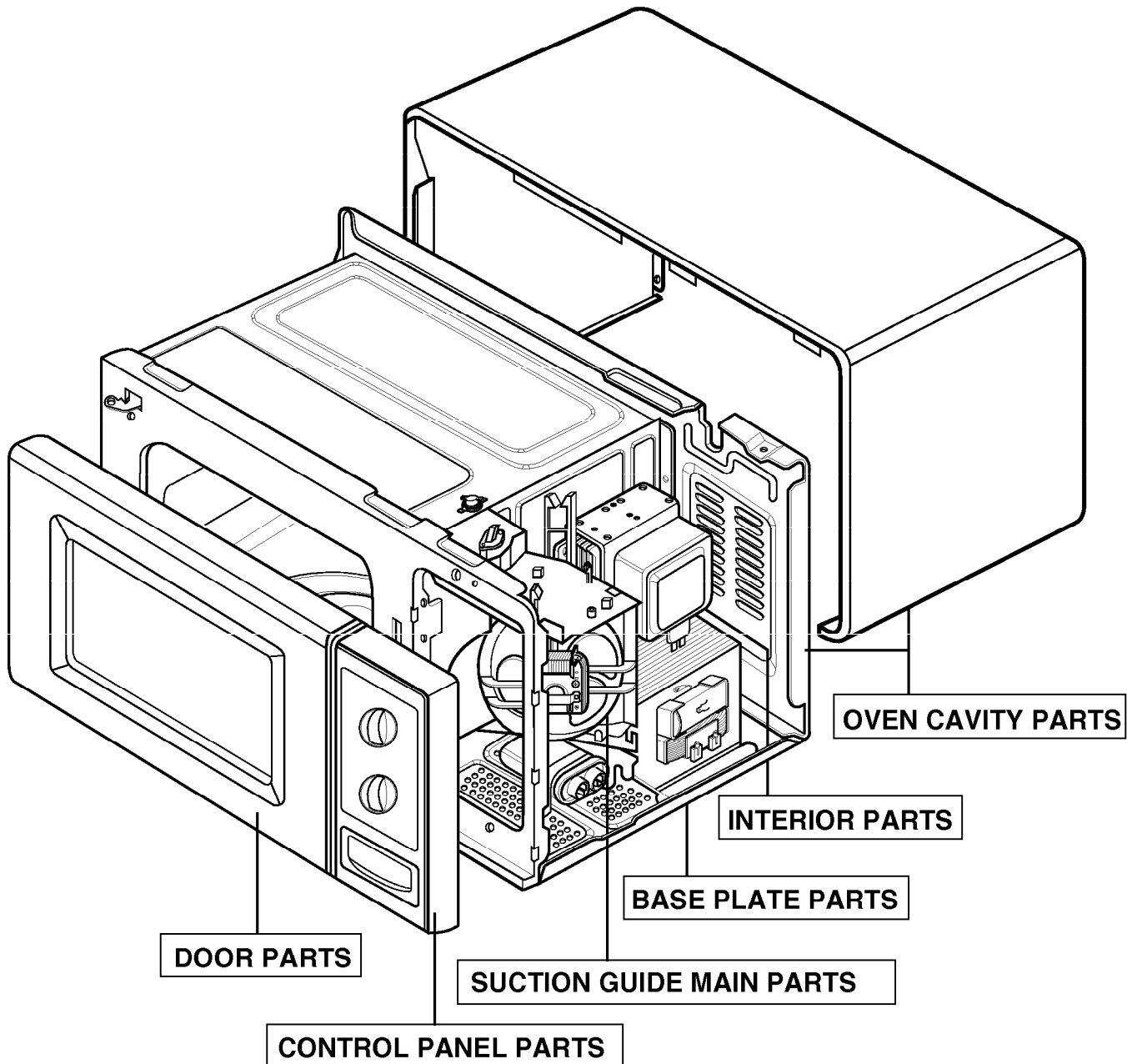
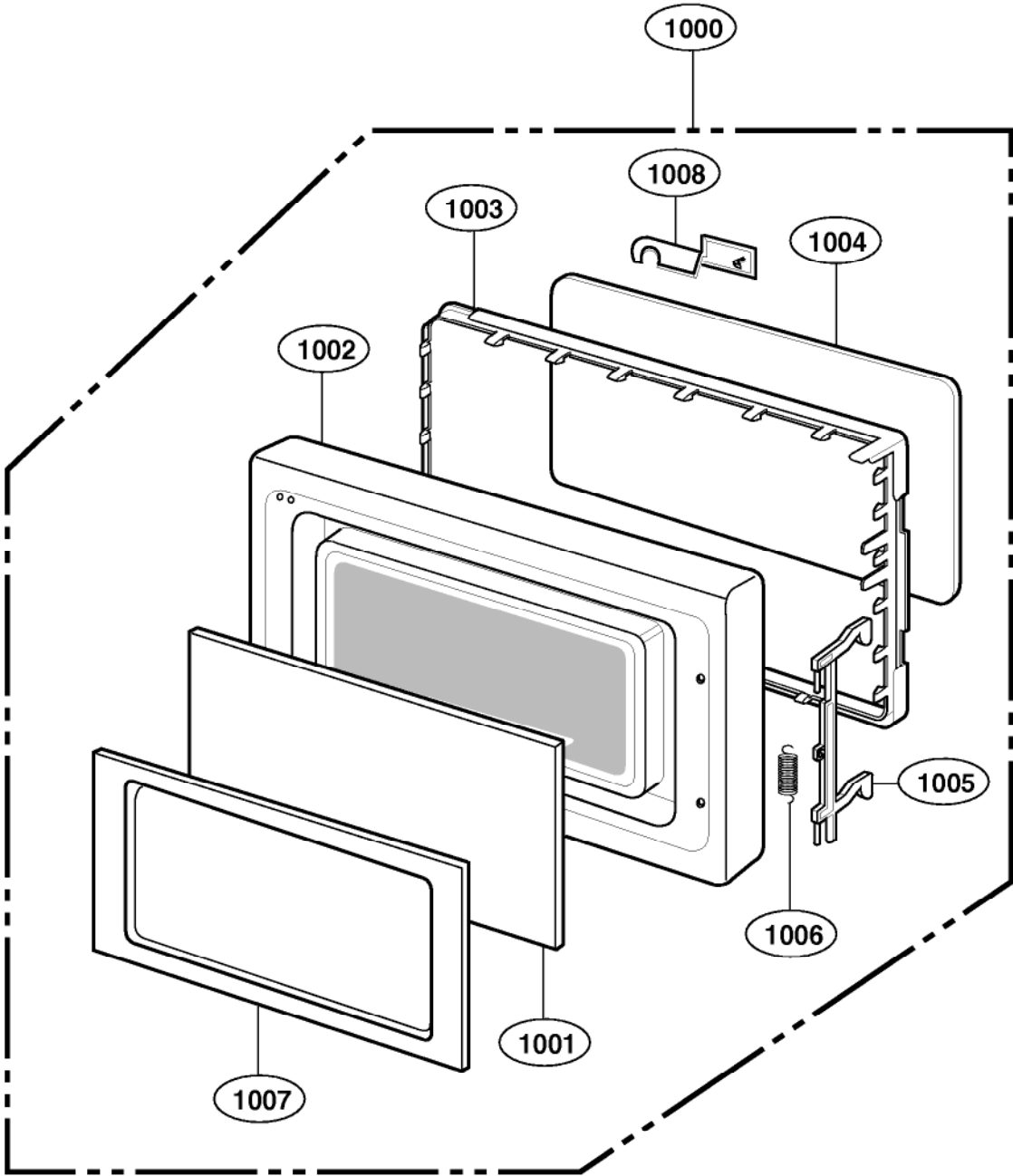


EXPLODED VIEW

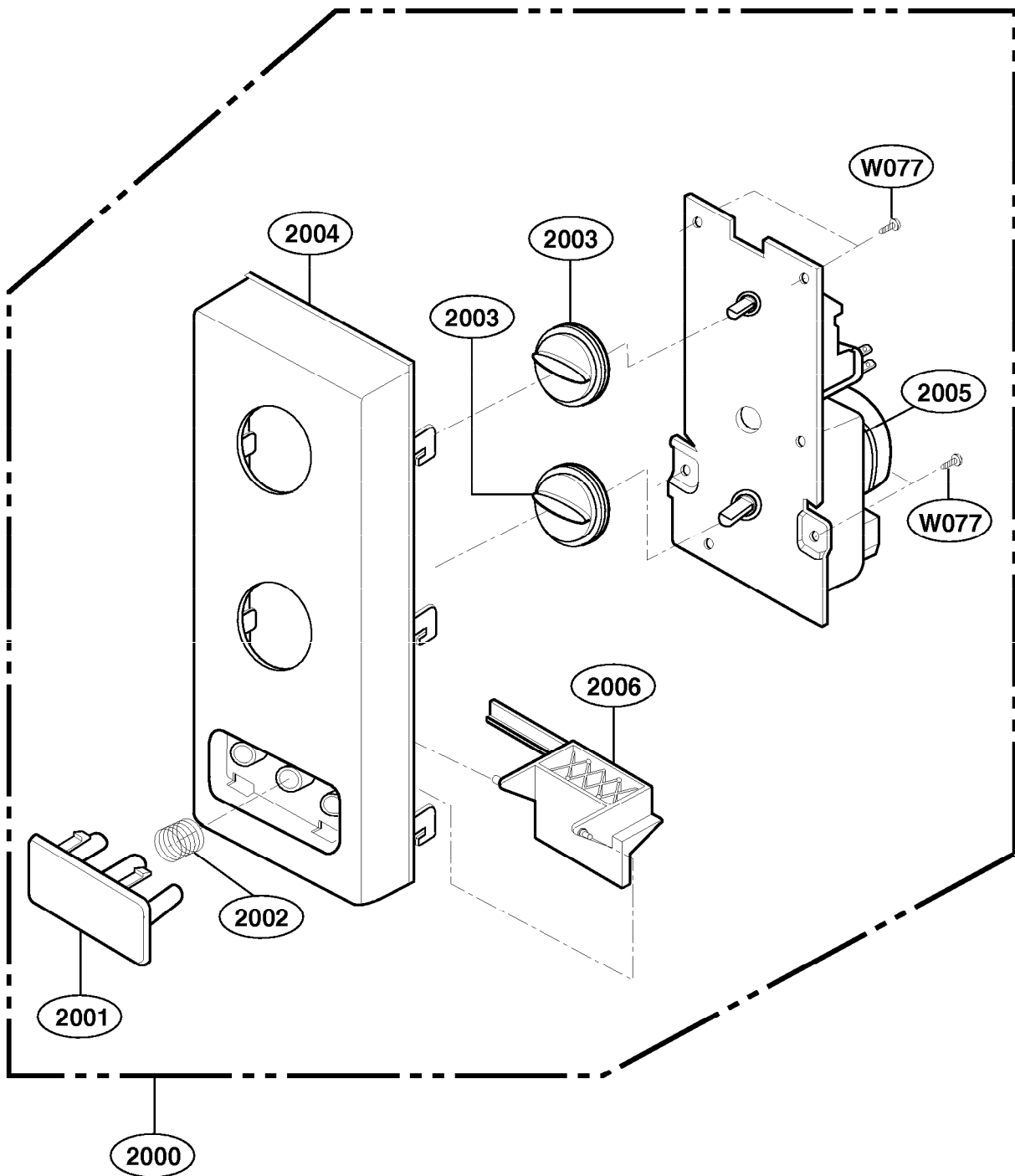
INTRODUCTION



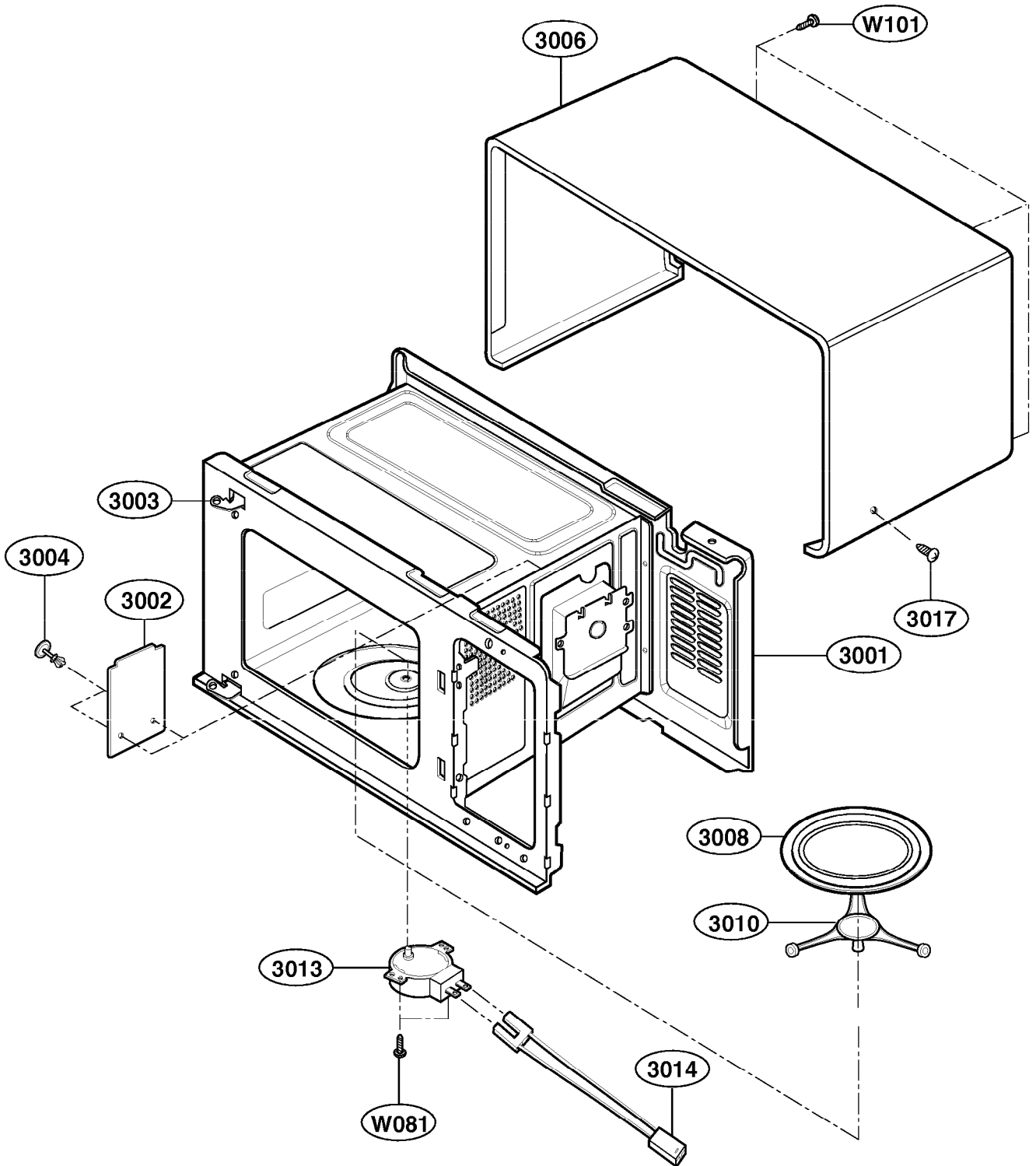
DOOR PARTS



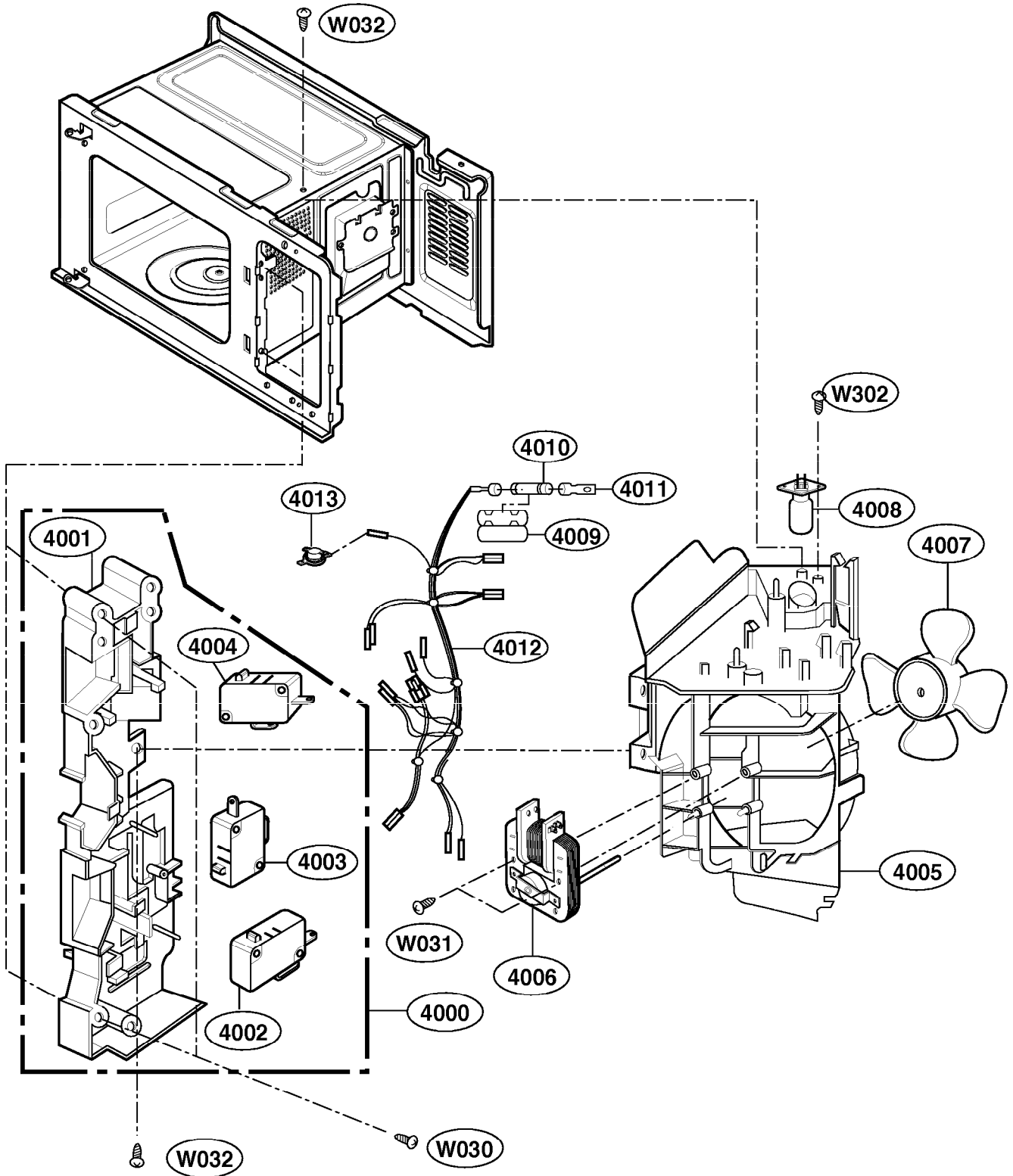
CONTROL PANEL PARTS



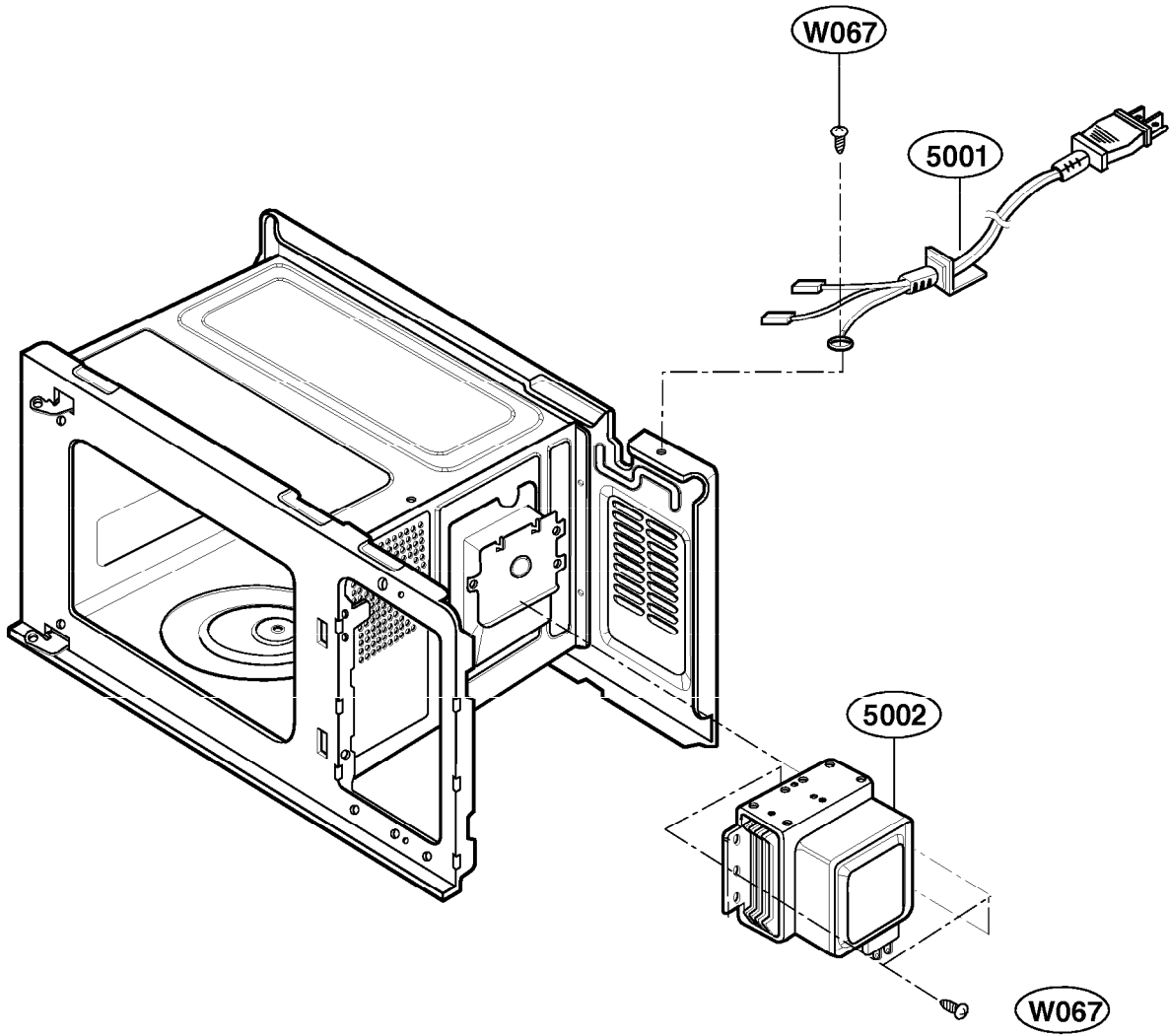
OVEN CAVITY PARTS



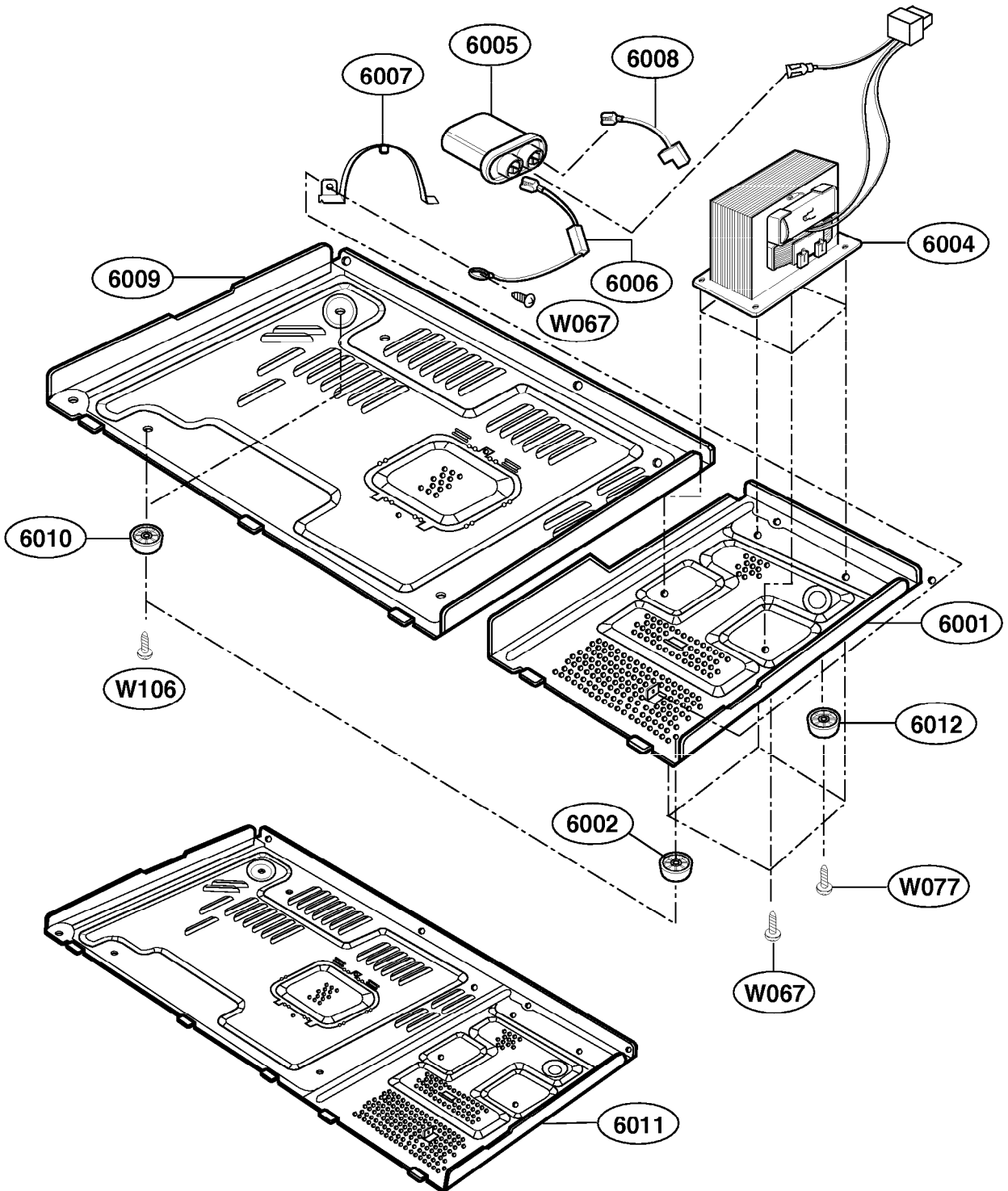
SUCTION GUIDE PARTS



INTERIOR PARTS



BASE PLATE PARTS



NOTE : Either 2 piece type(6001&6009) or 1 piece type(6011) base plate may be used.