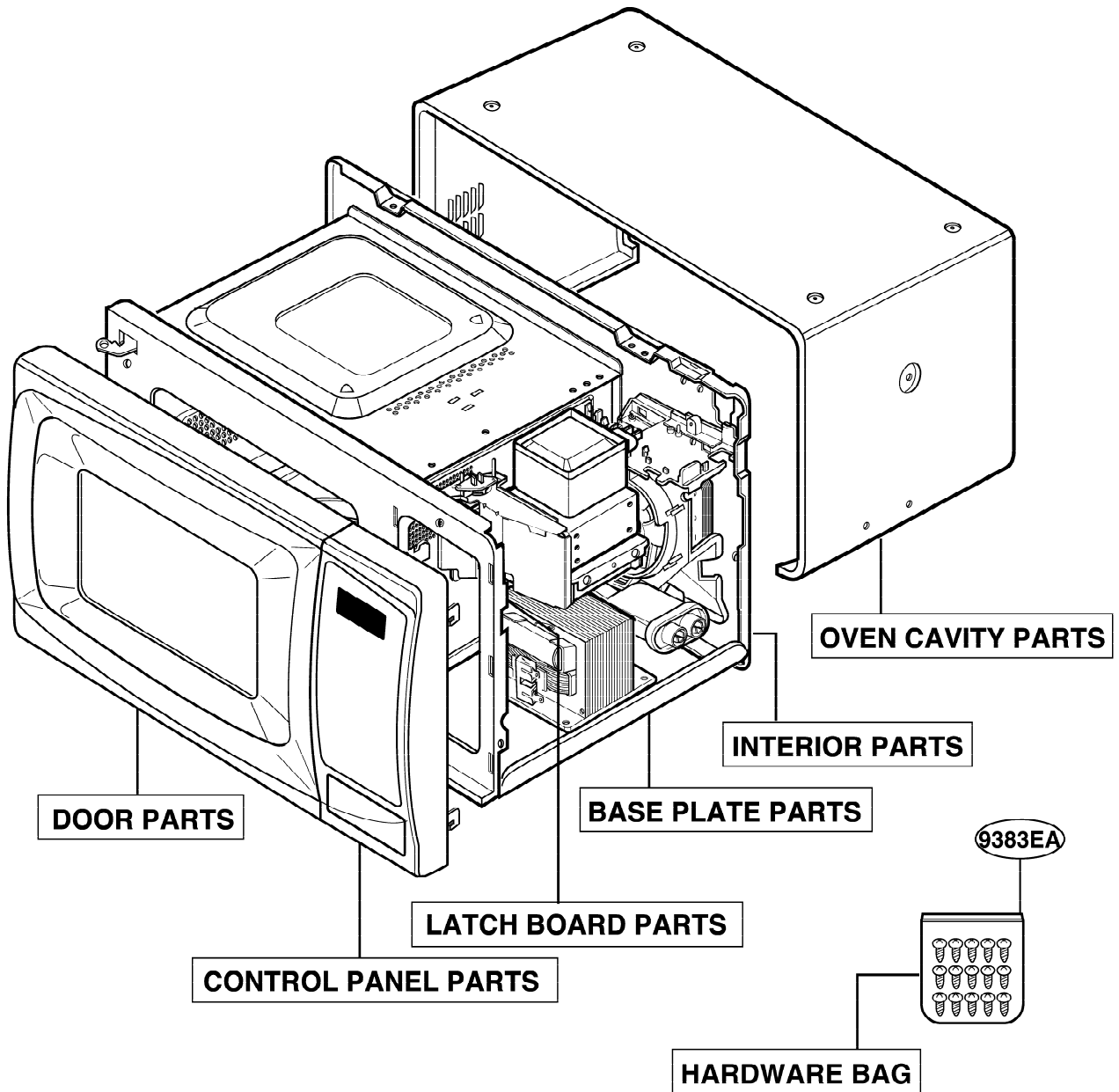


EXPLODED VIEW

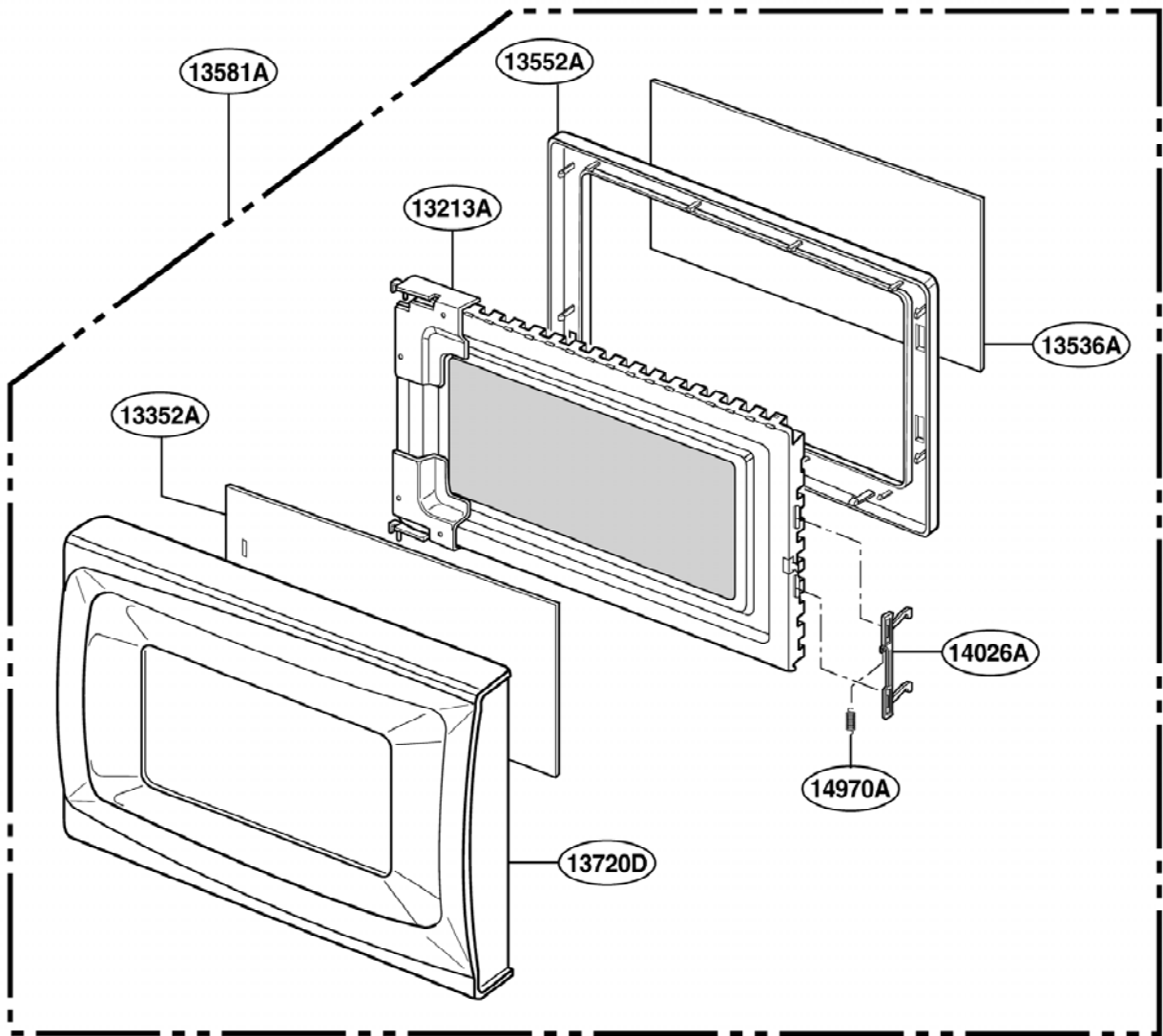
INTRODUCTION

JE740

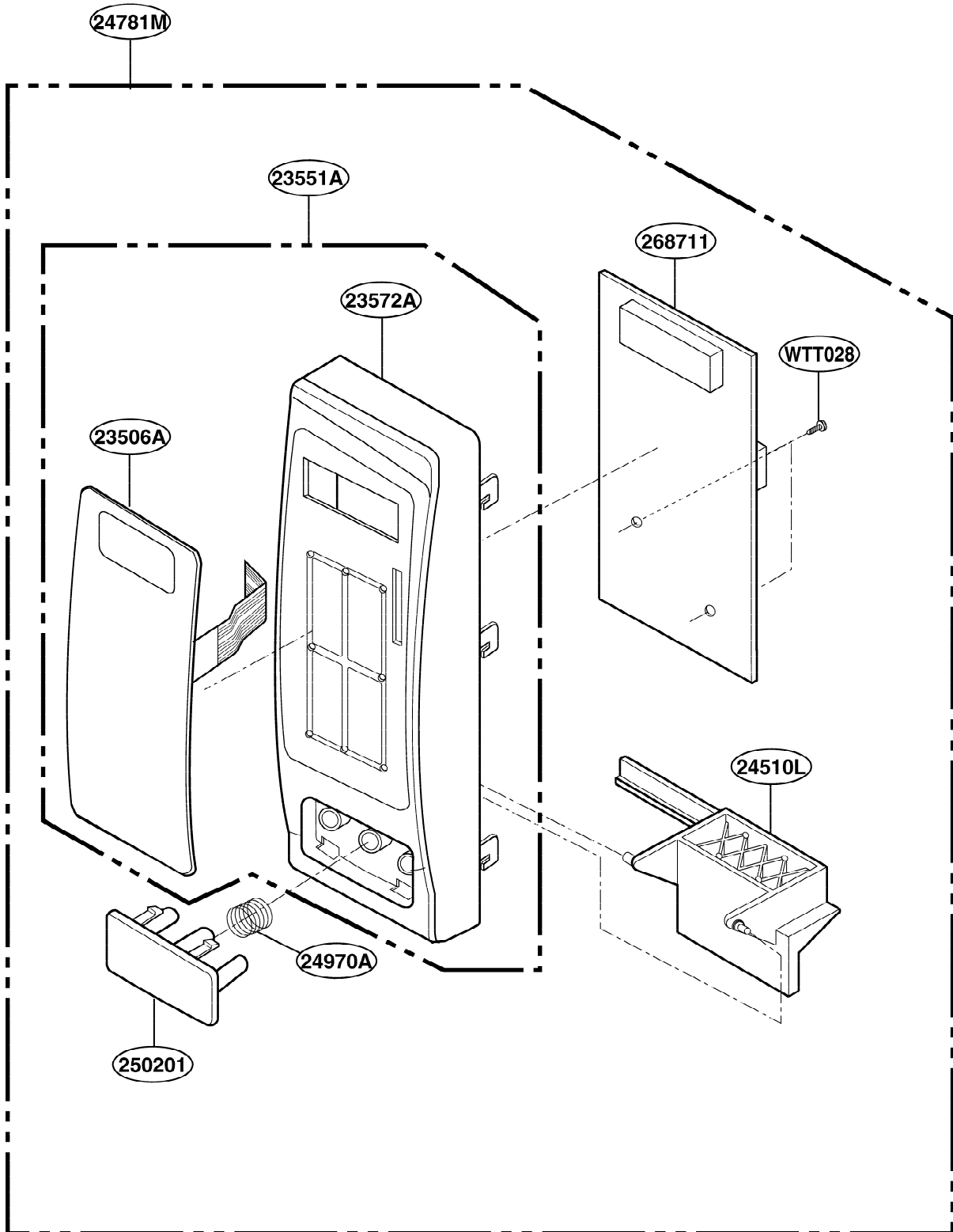


P/No: 3828W5S5073

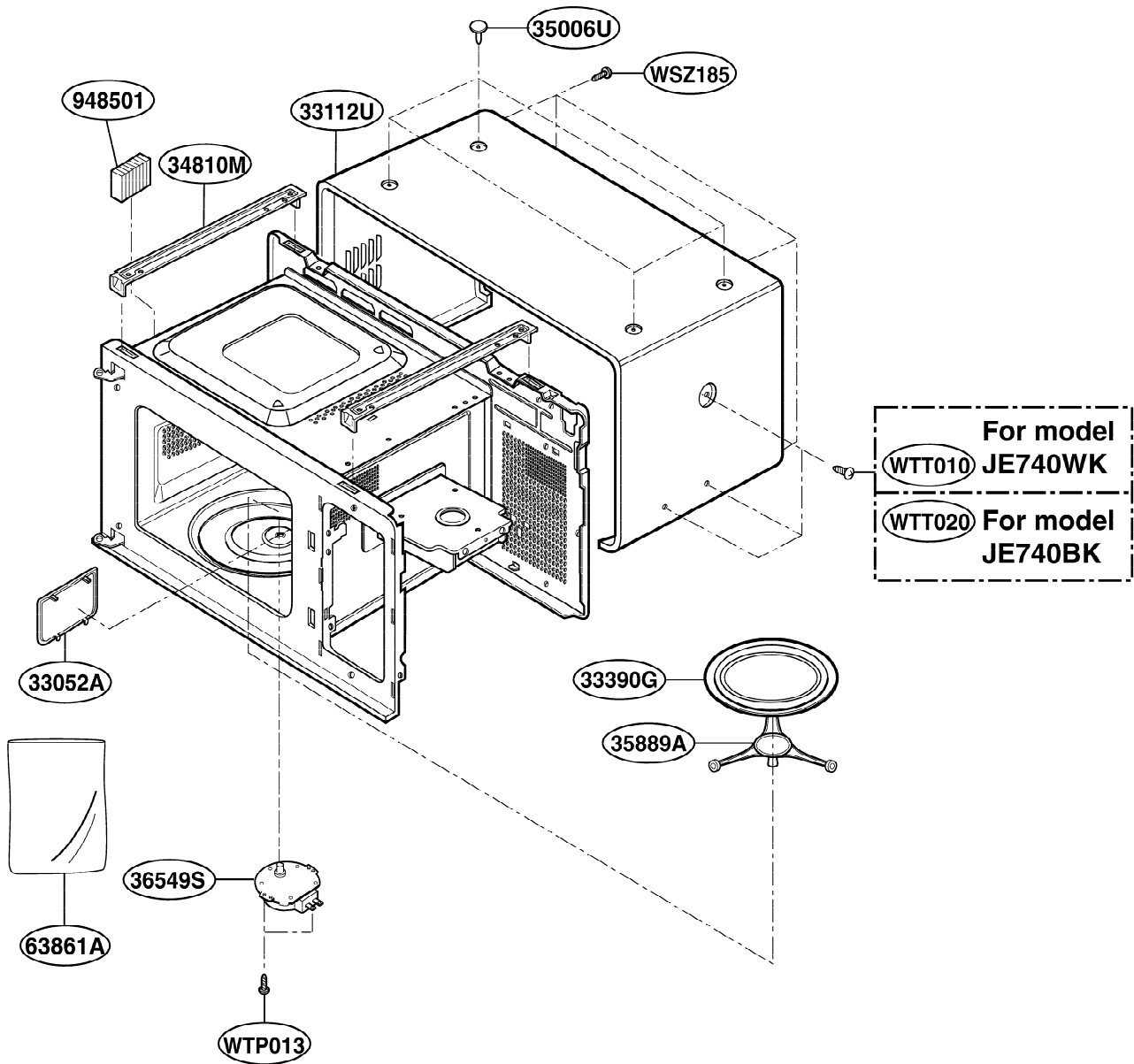
DOOR PARTS



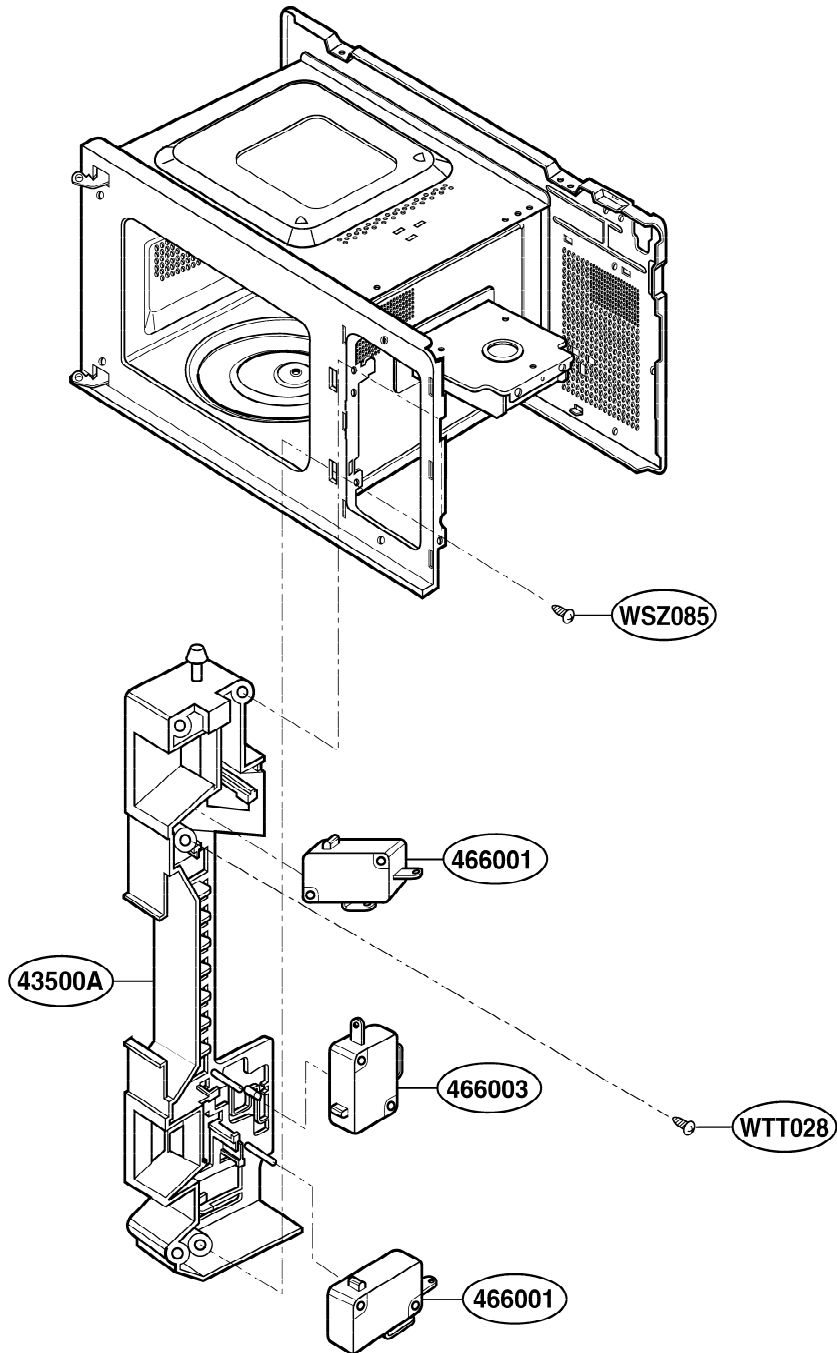
CONTROL PANEL PARTS



OVEN CAVITY PARTS



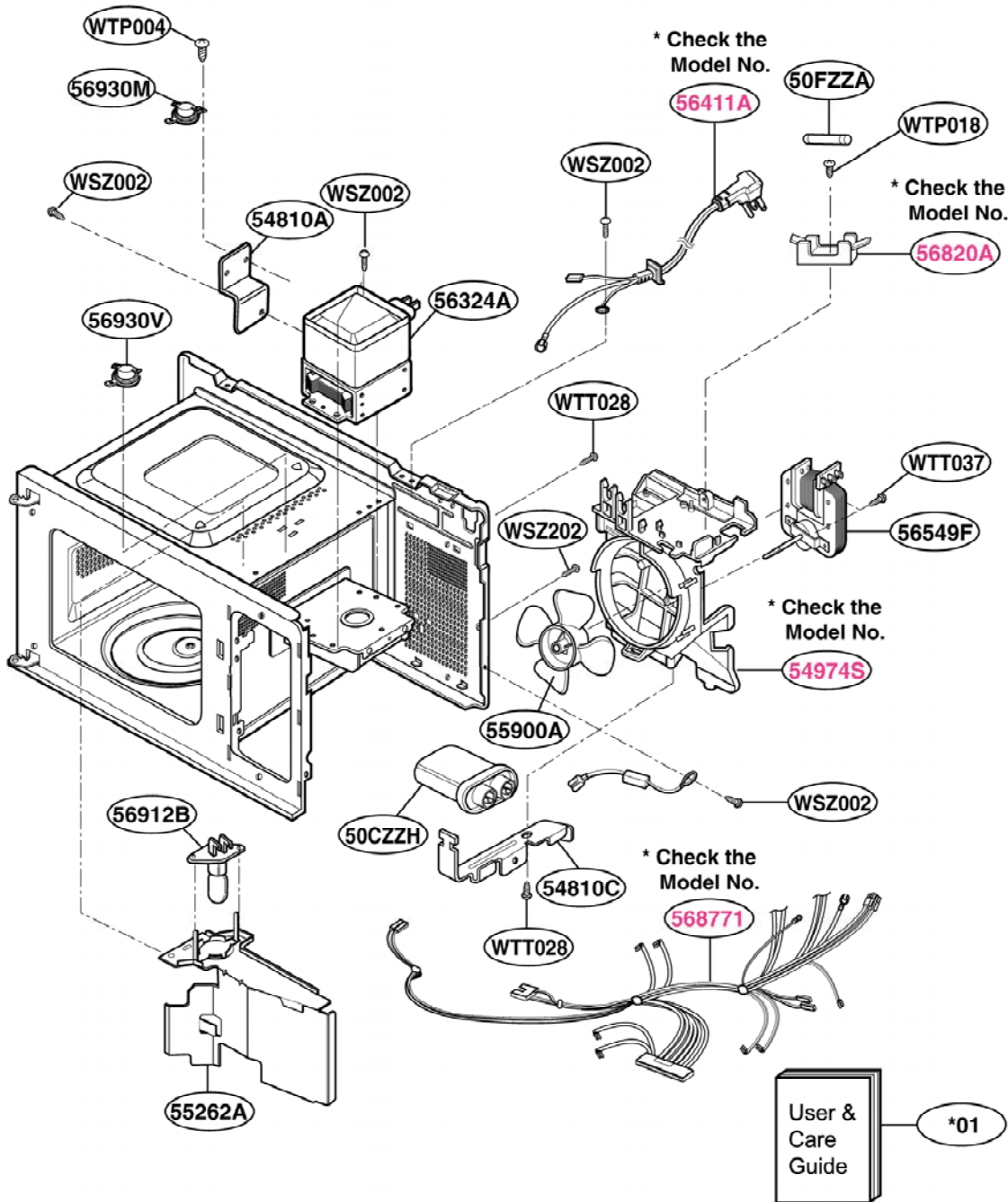
LATCH BOARD PARTS



INTERIOR PARTS (I)

Model: JE740WK 01
JE740BK 01

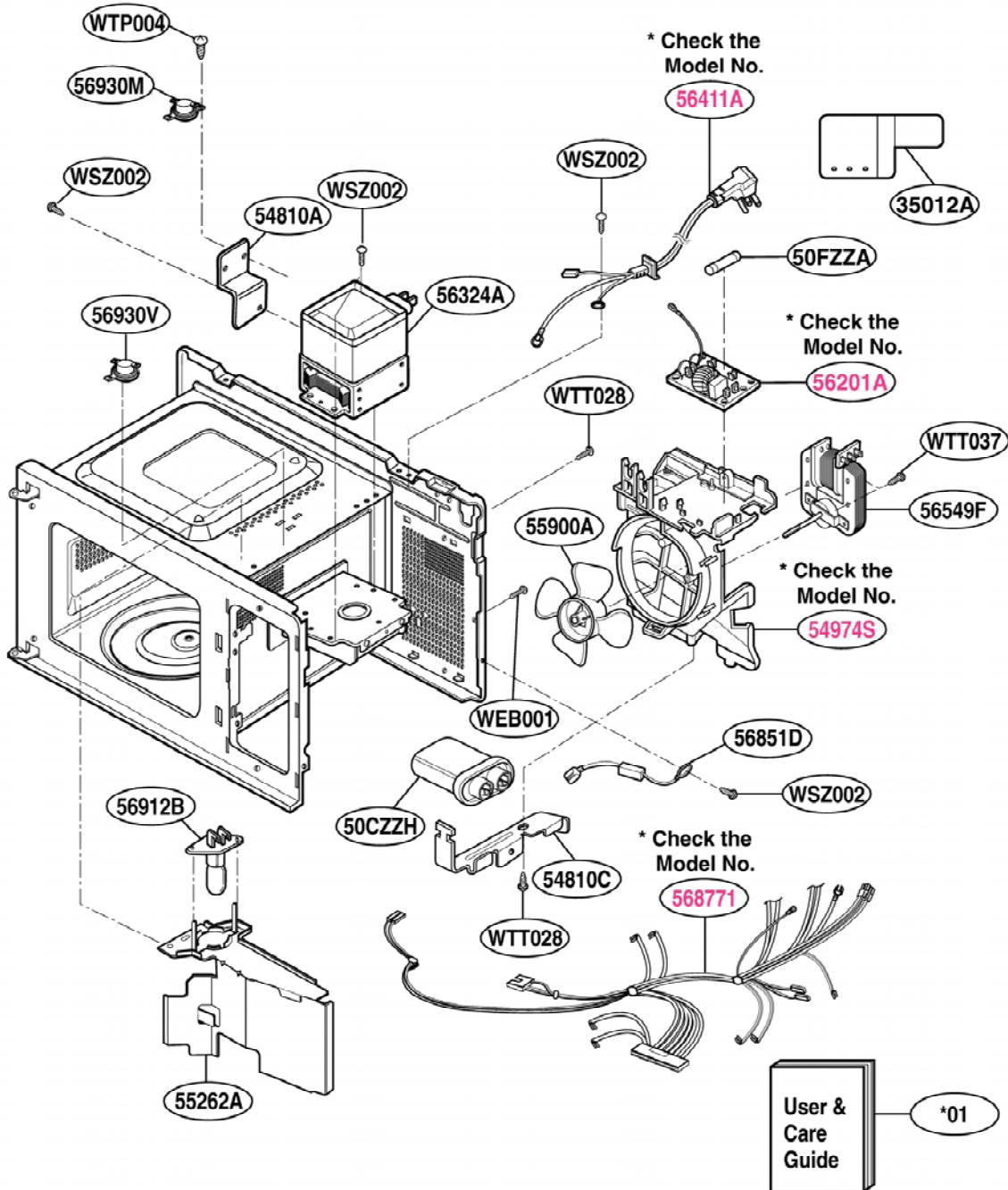
Check the rating label of **Model** and order SVC parts according to the **Model No.**



INTERIOR PARTS (II)

Model: JE740WK 02
JE740BK 02

Check the rating label of **Model** and order SVC parts according to the **Model No.**



BASE PLATE PARTS

