

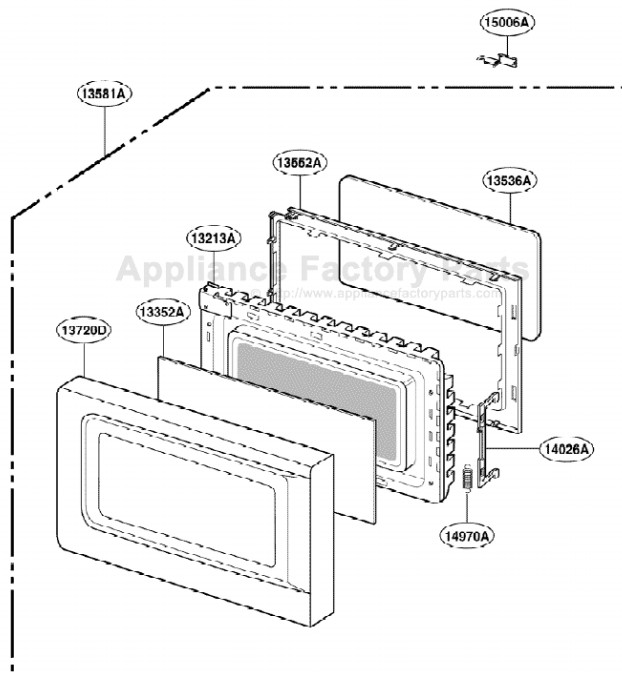
This Owner's Manual is provided and hosted by [Appliance Factory Parts](http://Appliance Factory Parts).



# GE JES1036BK Owner's Manual

[Shop genuine replacement parts for GE JES1036BK](#)

## DOOR PARTS



[Find Your GE Microwave Parts - Select From 3055 Models](#)

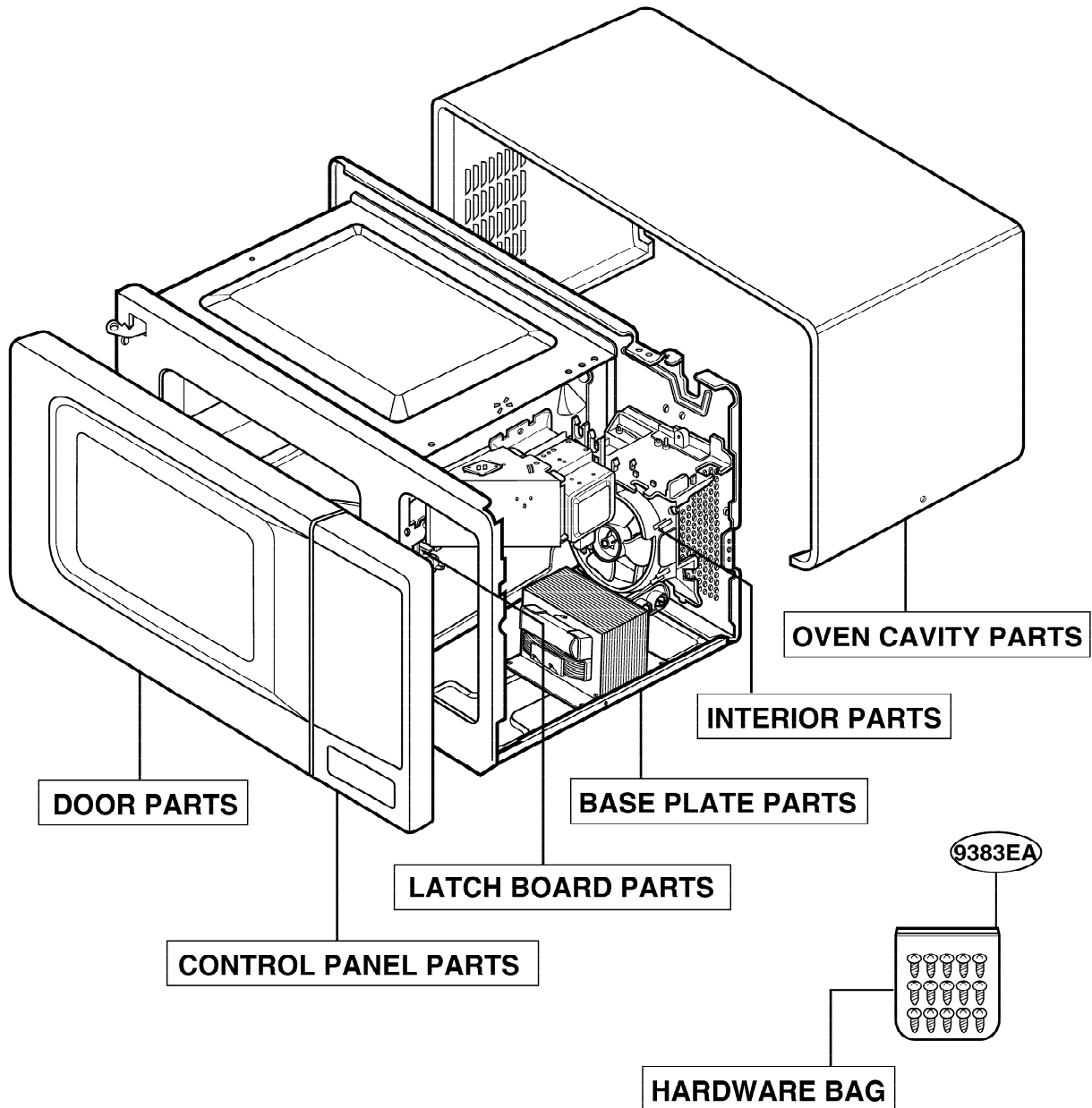
----- Manual continues below -----

# EXPLODED VIEW

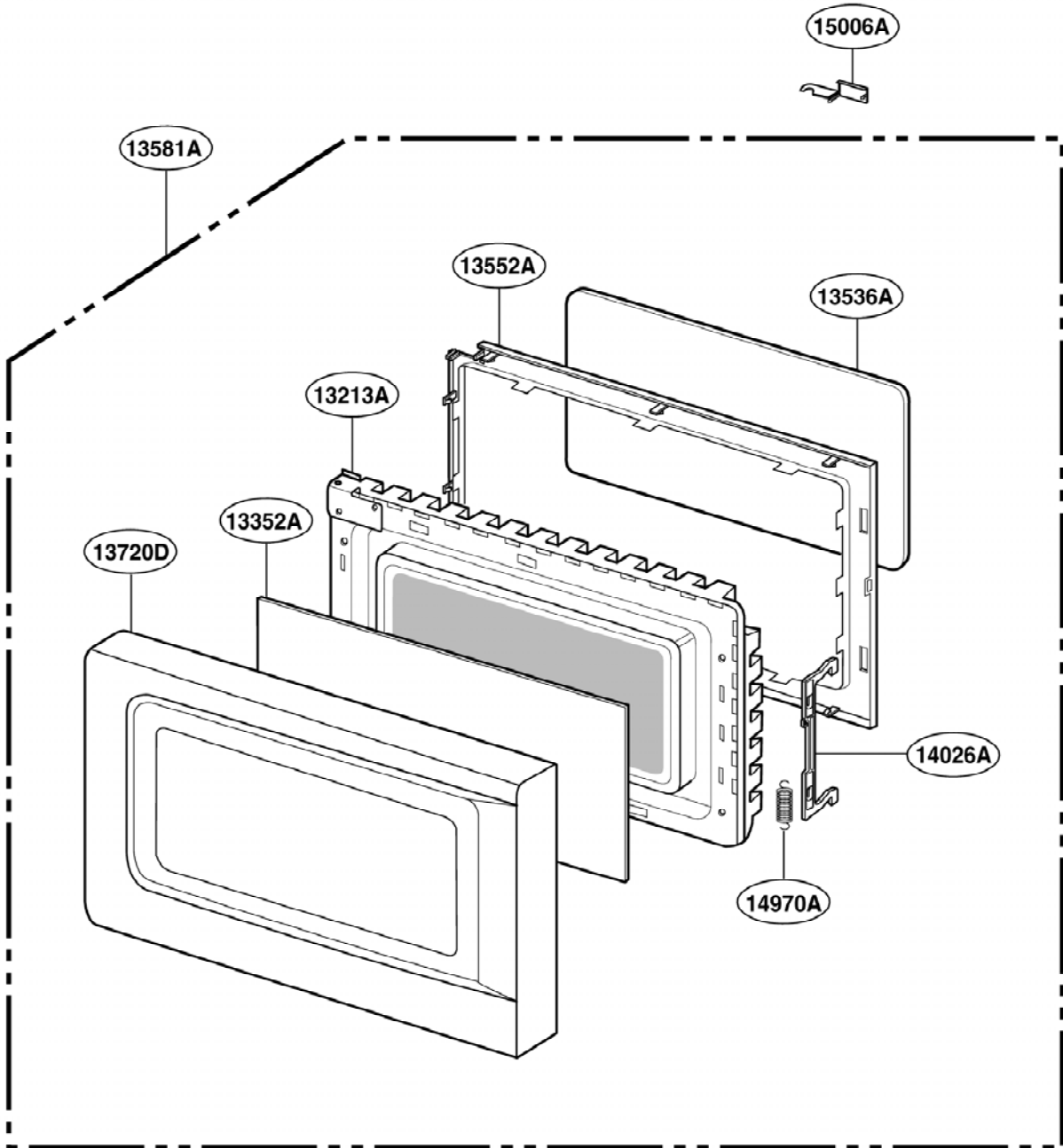
## INTRODUCTION

JES1039

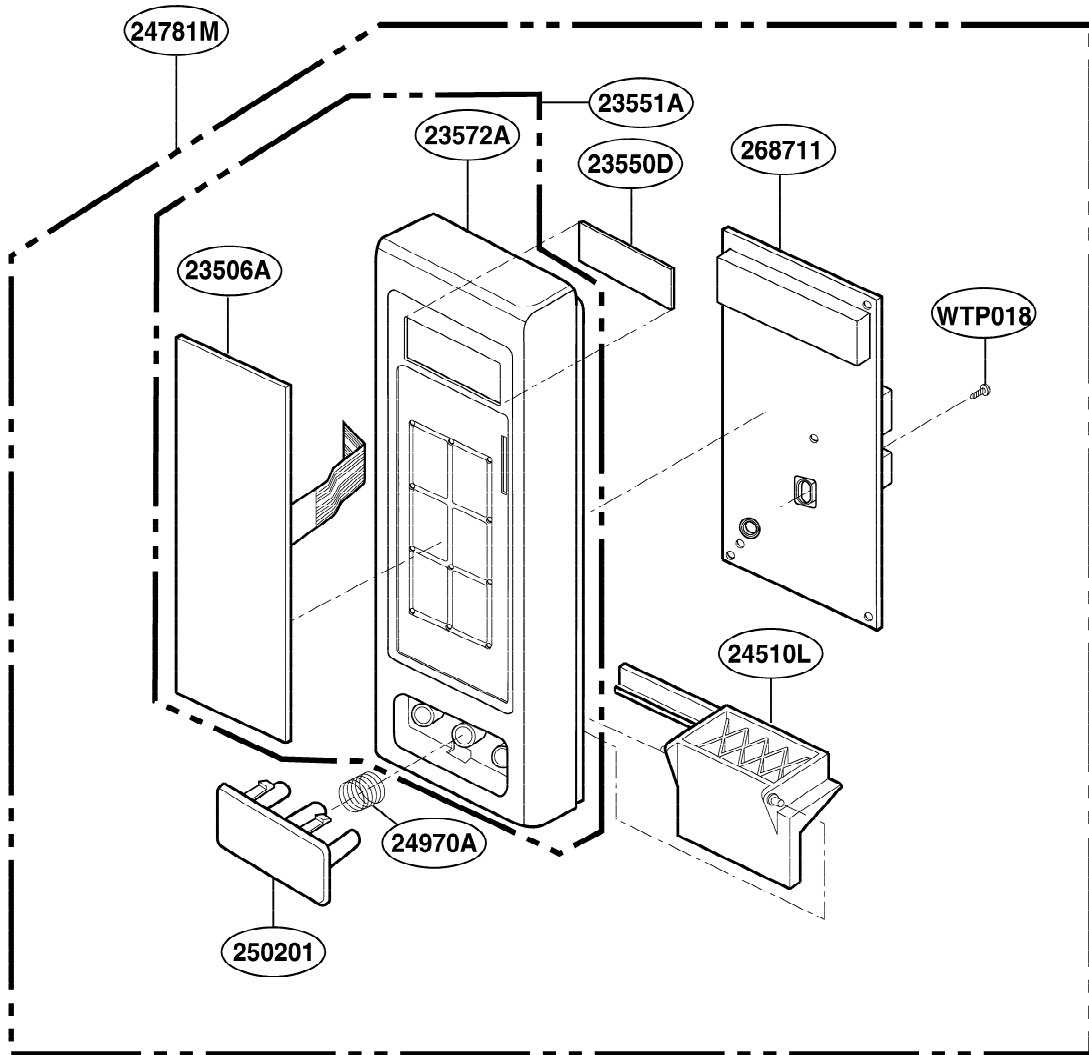
JES1036



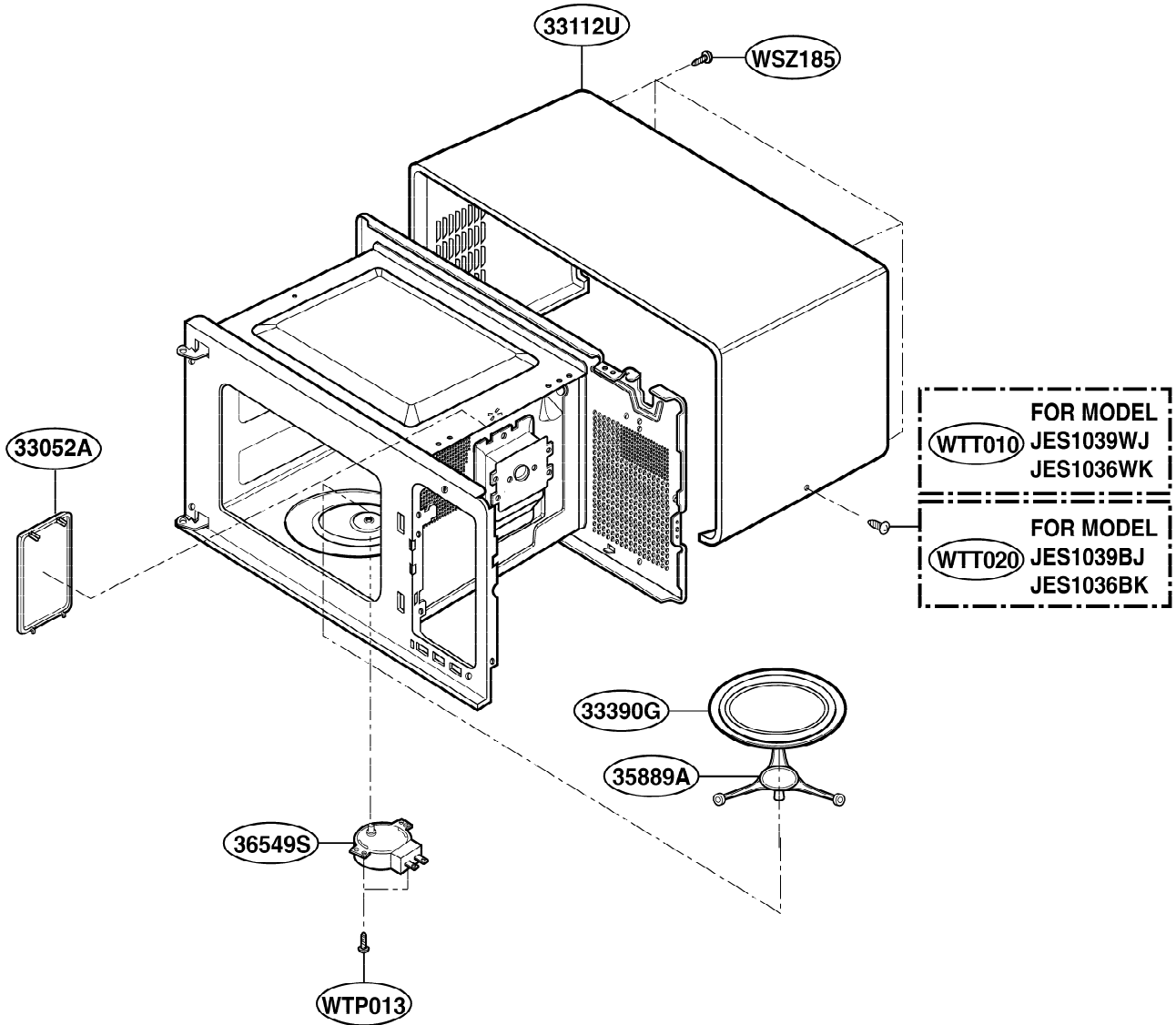
# DOOR PARTS



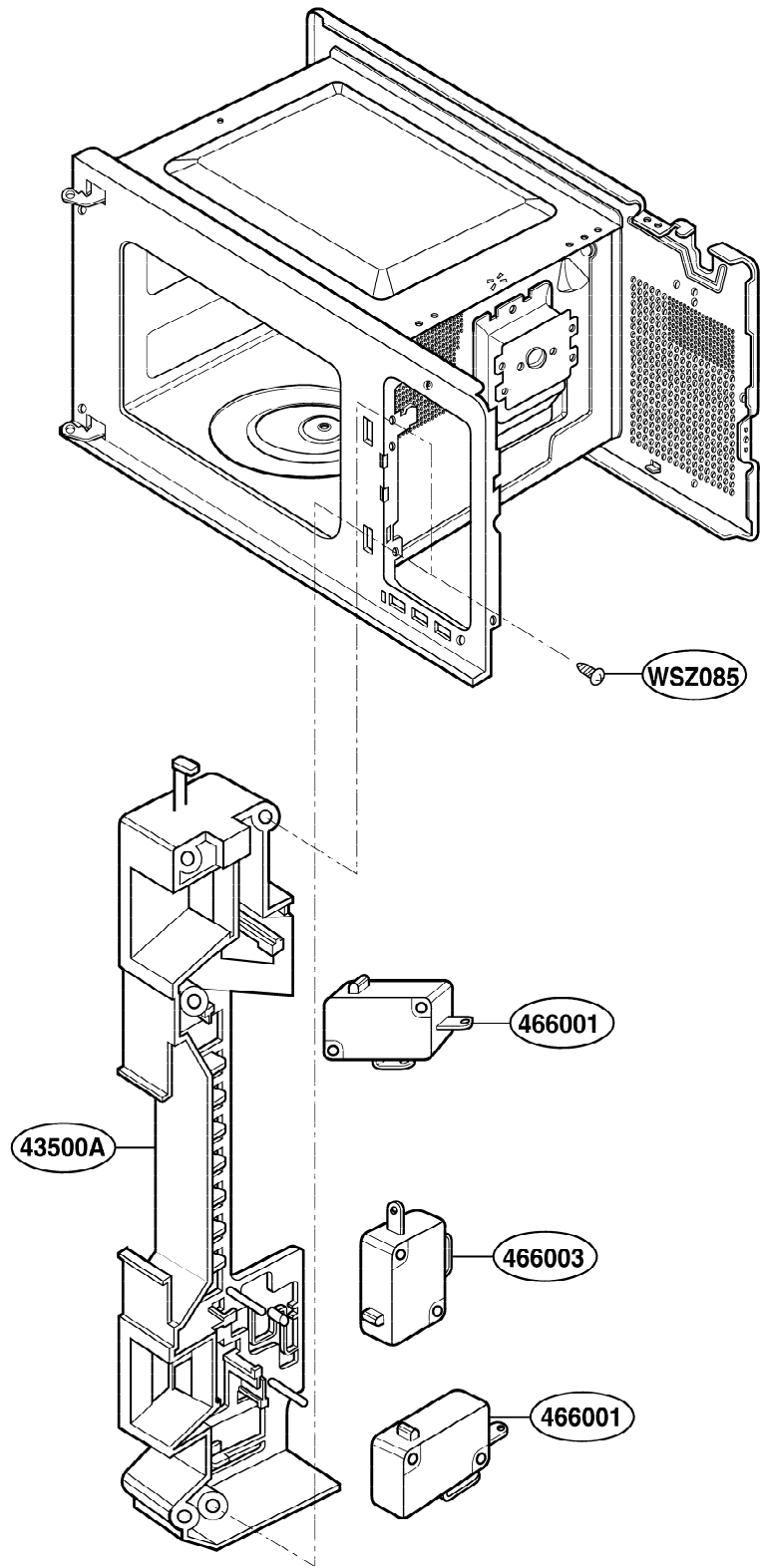
# CONTROL PANEL PARTS



# OVEN CAVITY PARTS



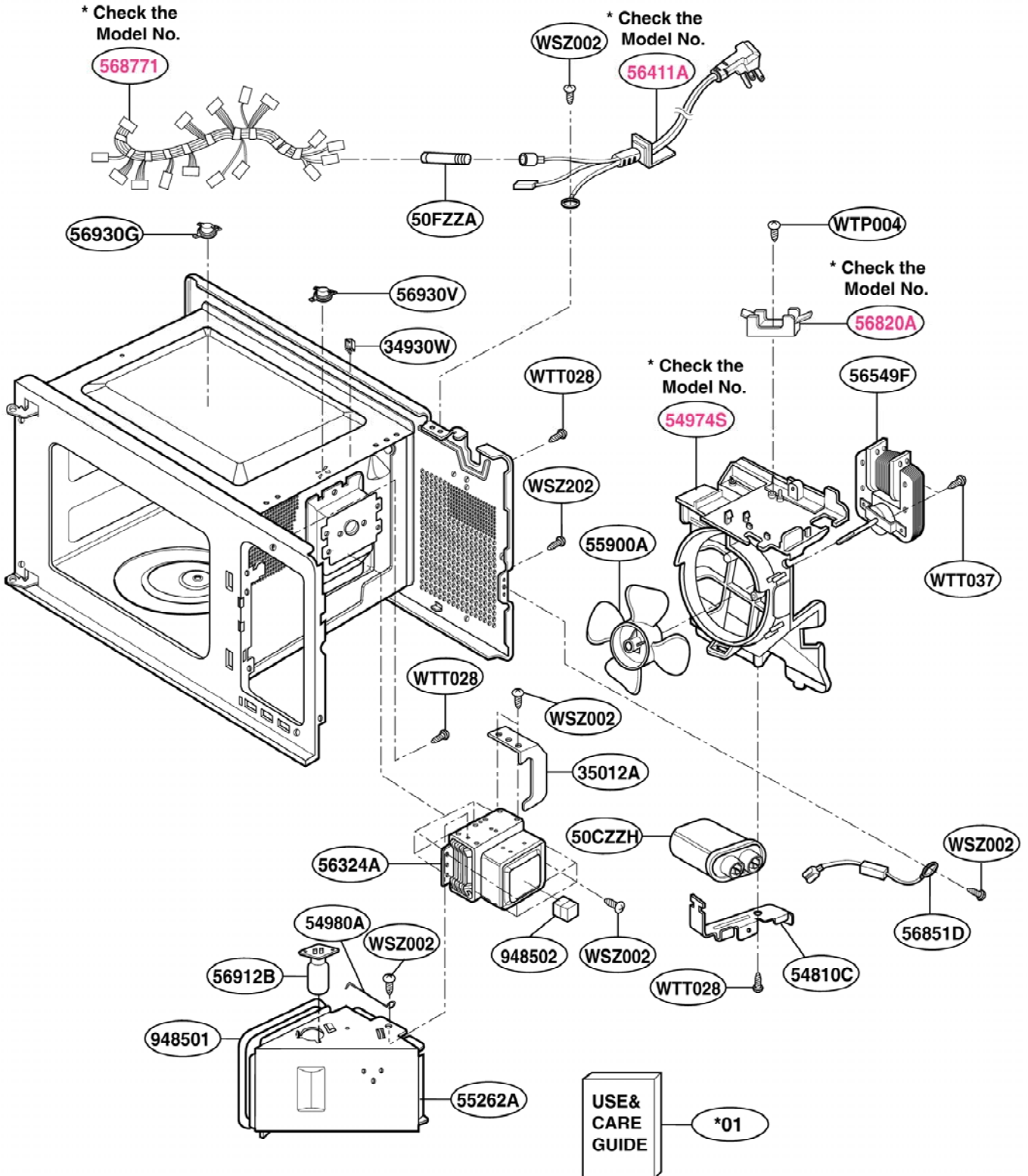
# LATCH BOARD PARTS



# INTERIOR PARTS (I)

Model: JES1039WJ 01  
JES1039BJ 01  
JES1036WK 01  
JES1036BK 01

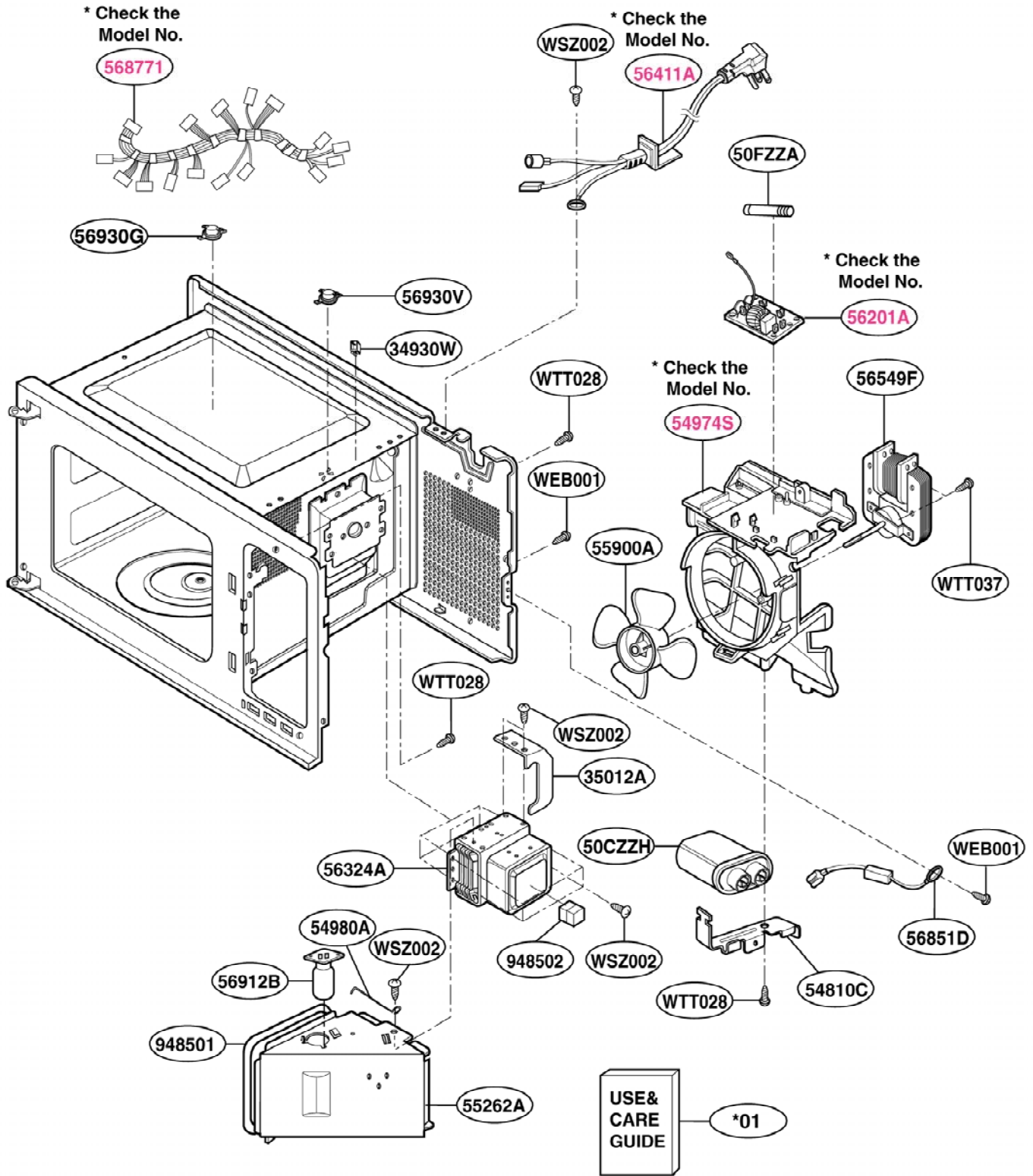
Check the rating label of **Model** and order SVC parts according to the **Model No.**



# INTERIOR PARTS (II)

Model: JES1039WJ 02  
JES1039BJ 02  
JES1036WK 02

Check the rating label of **Model** and order SVC parts according to the **Model No.**



# BASE PLATE PARTS

