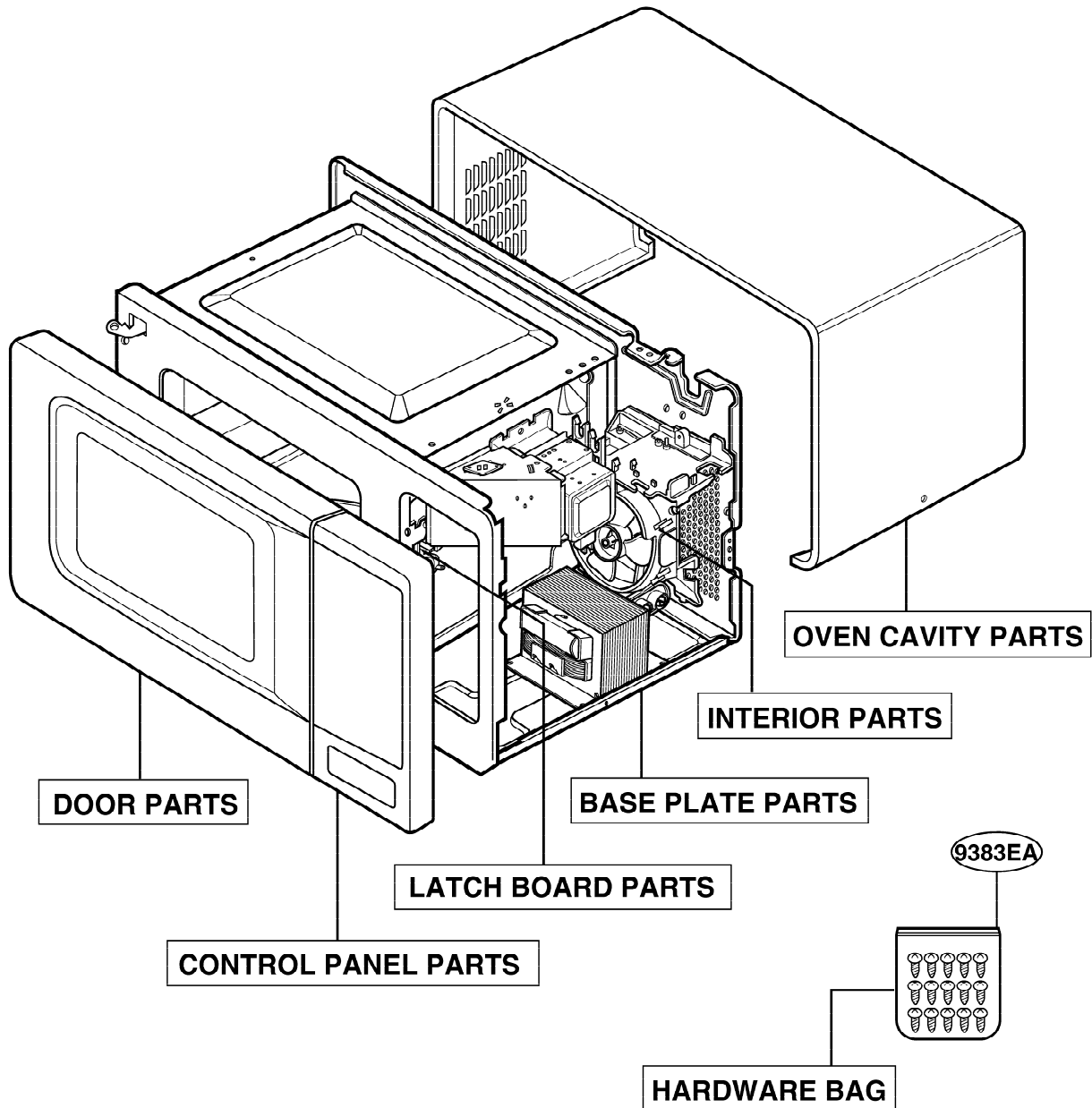


EXPLODED VIEW

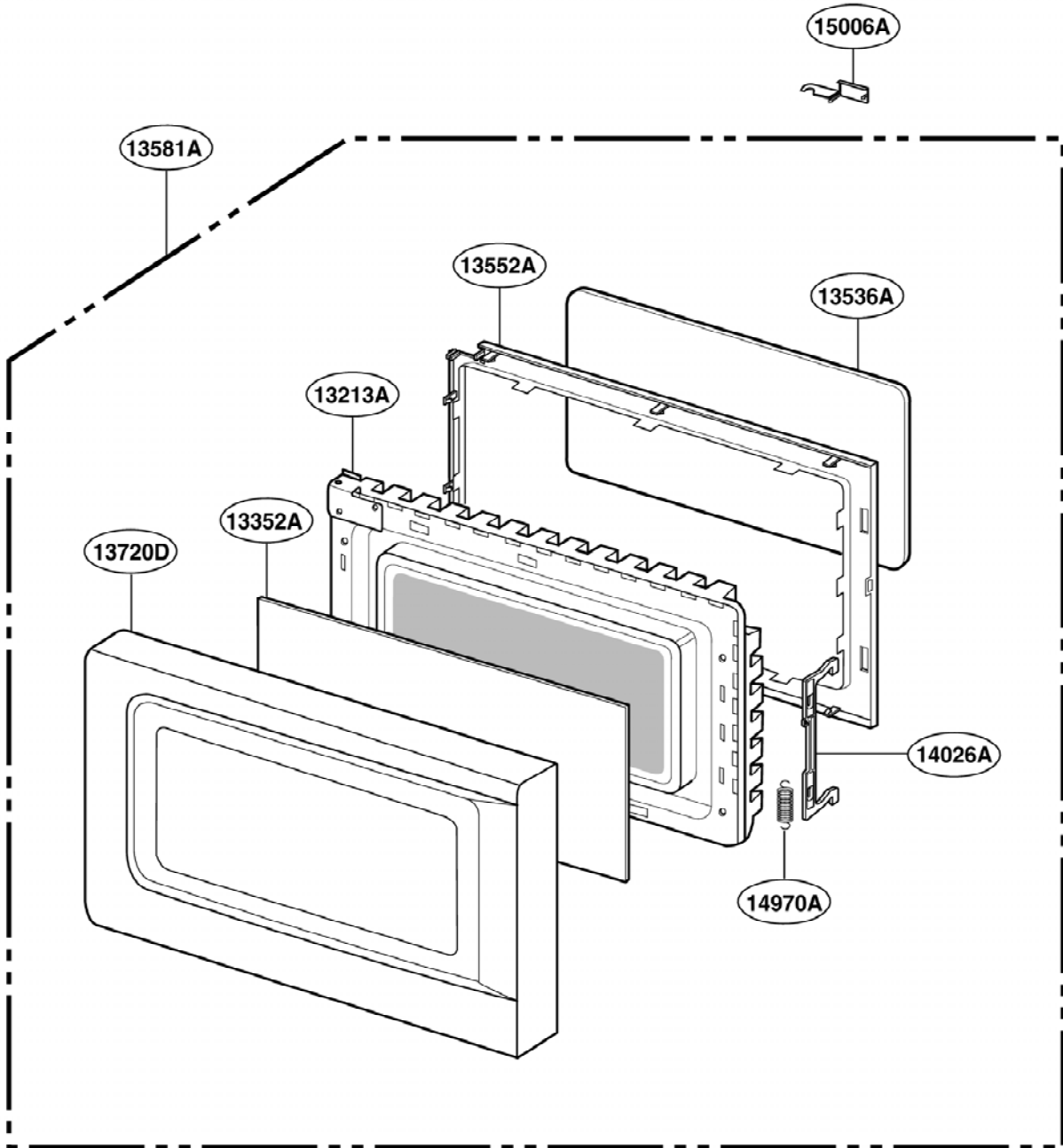
INTRODUCTION

JES1039

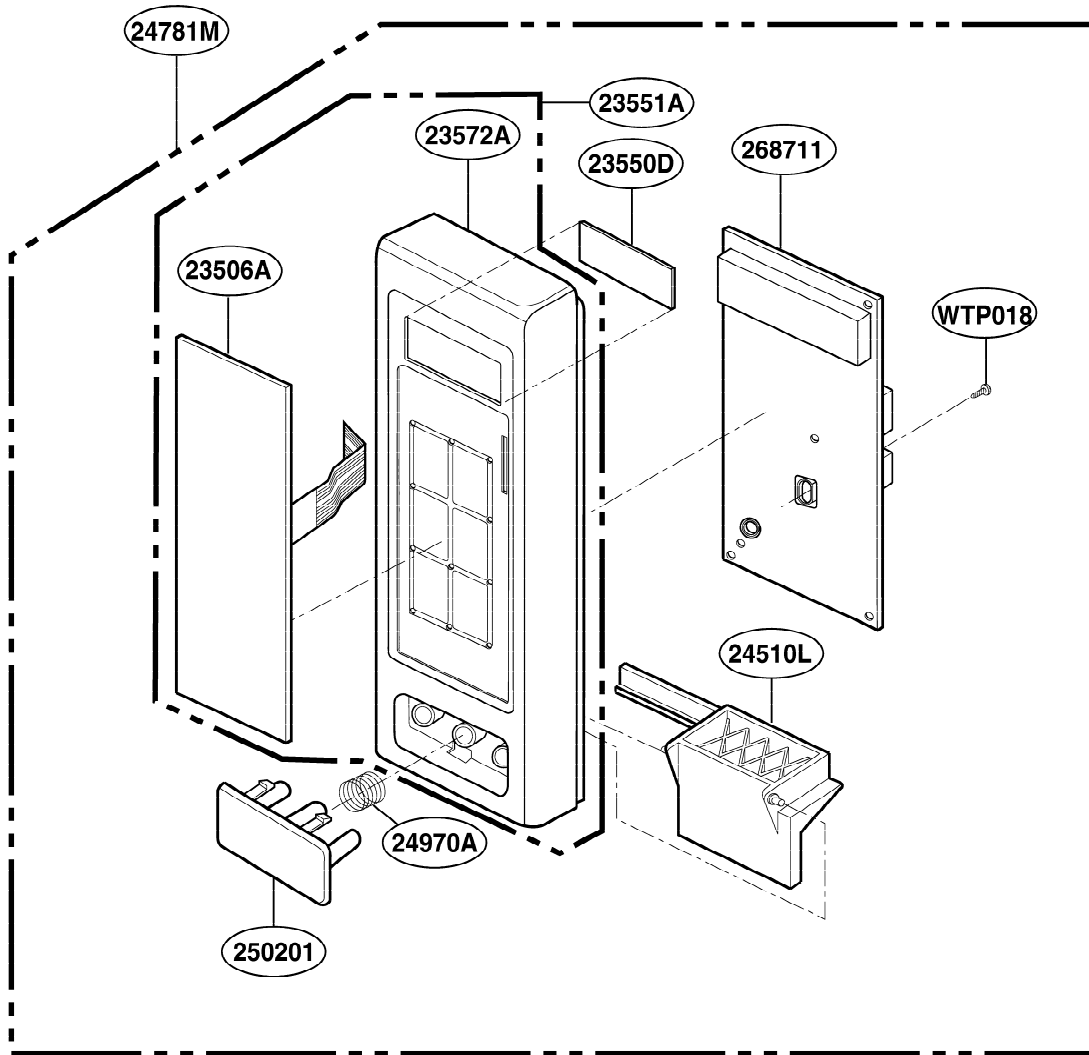
JES1036



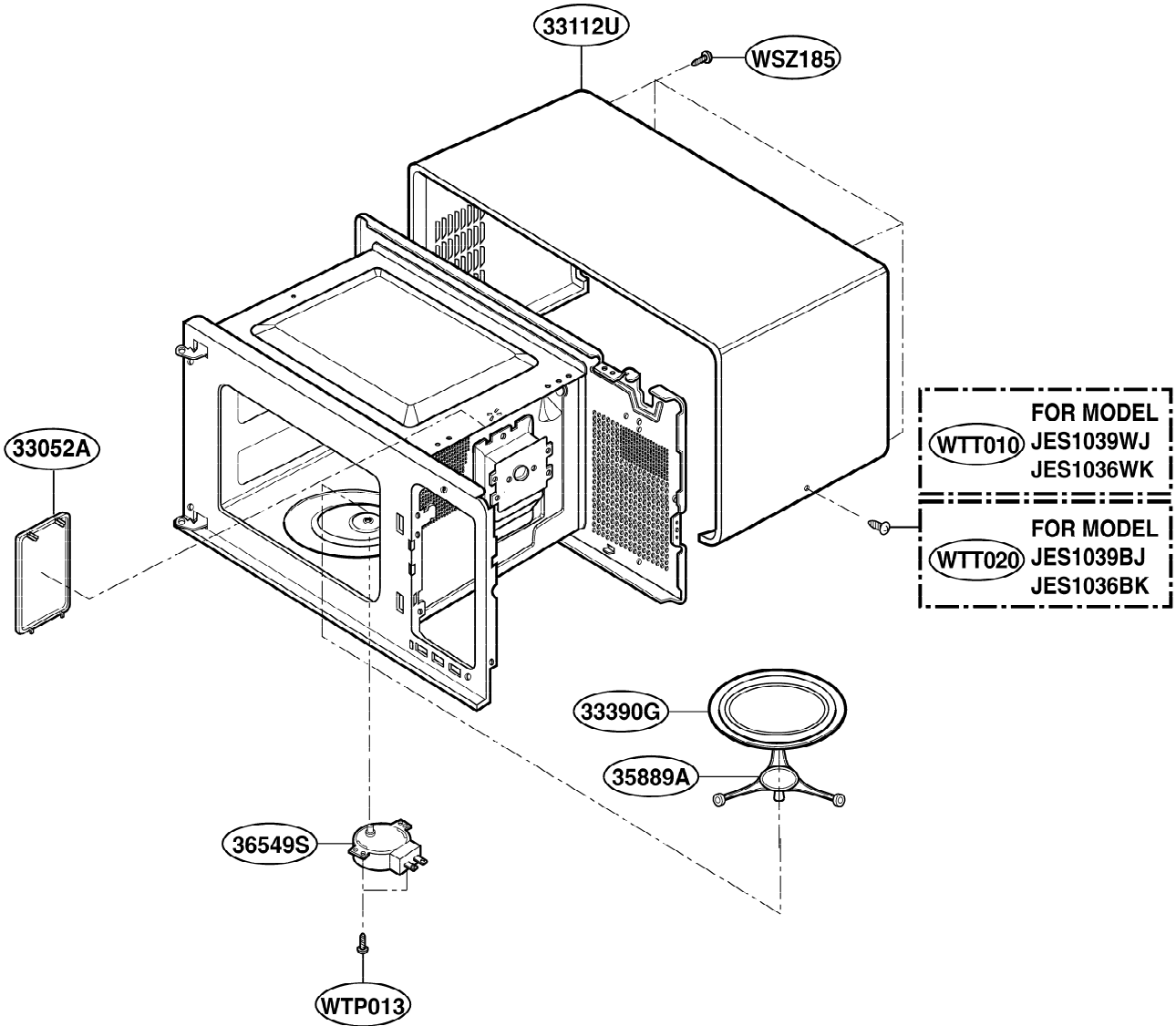
DOOR PARTS



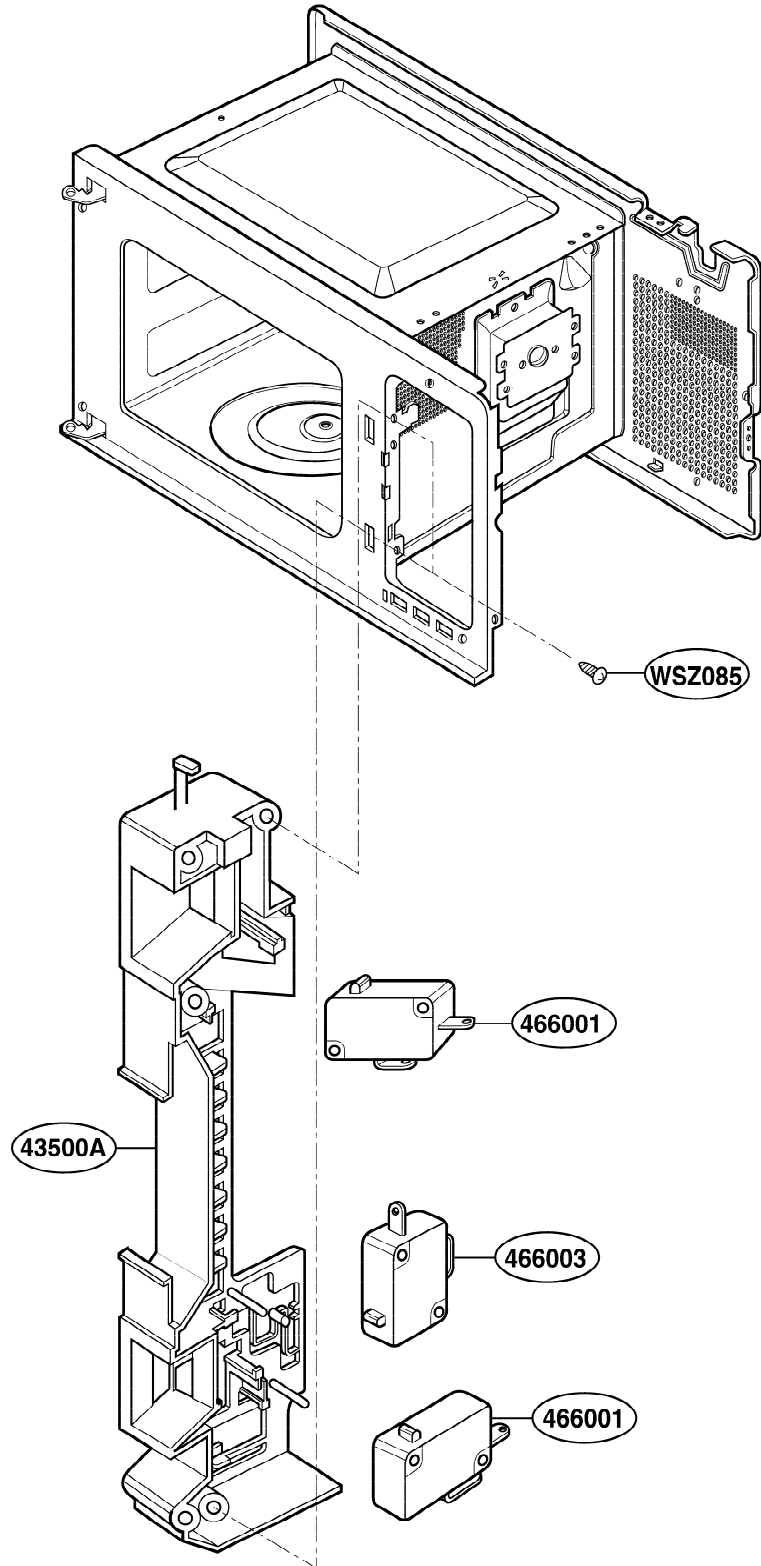
CONTROL PANEL PARTS



OVEN CAVITY PARTS



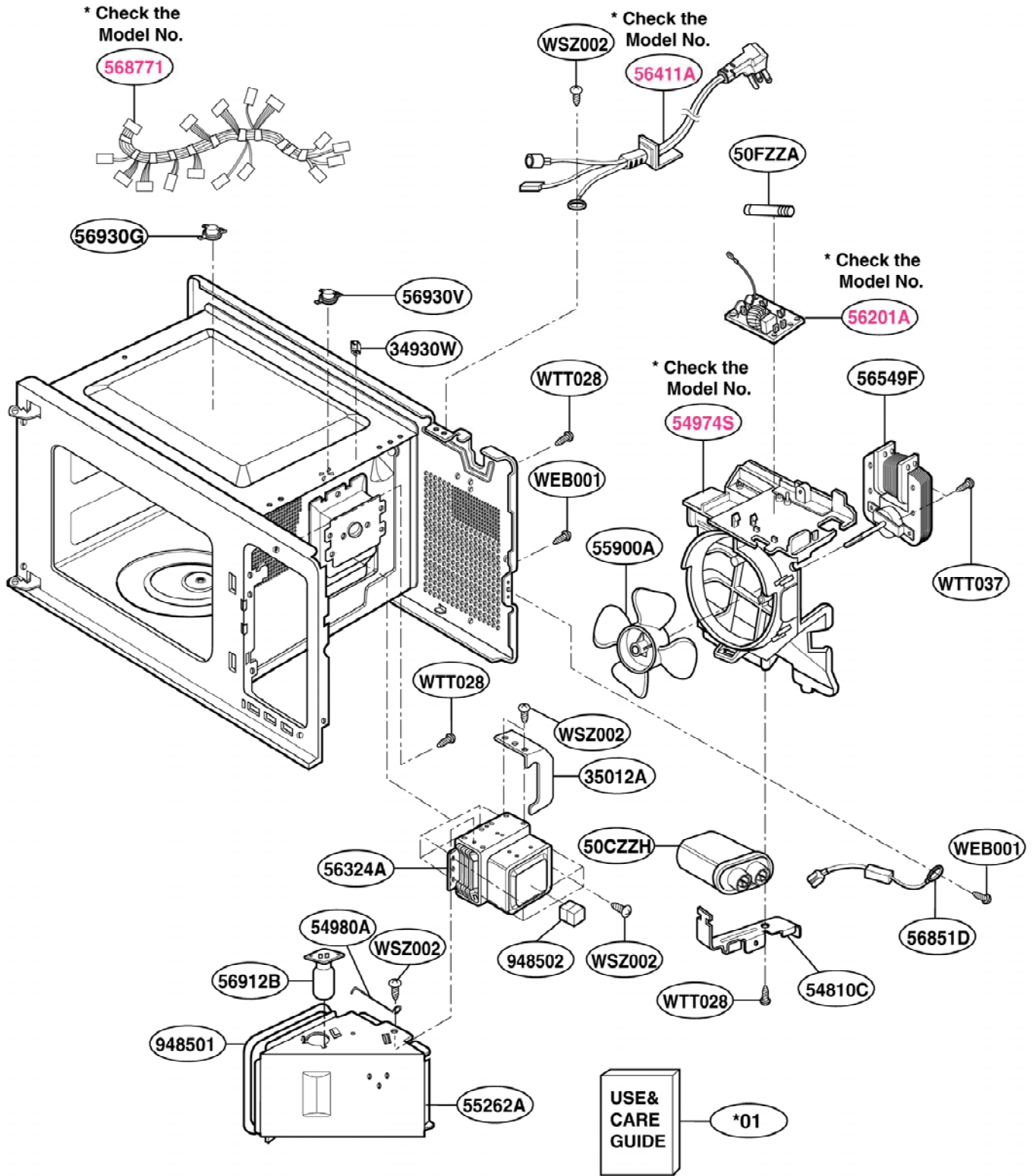
LATCH BOARD PARTS



INTERIOR PARTS (II)

Model: JES1039WJ 02
JES1039BJ 02
JES1036WK 02

Check the rating label of **Model** and order SVC parts according to the **Model No.**



BASE PLATE PARTS

