

This Owner's Manual is provided and hosted by [Appliance Factory Parts](http://www.appliancefactoryparts.com).



GE JES1039WJ02 Owner's Manual

[Shop genuine replacement parts for GE JES1039WJ02](#)



[Find Your GE Microwave Parts - Select From 3055 Models](#)

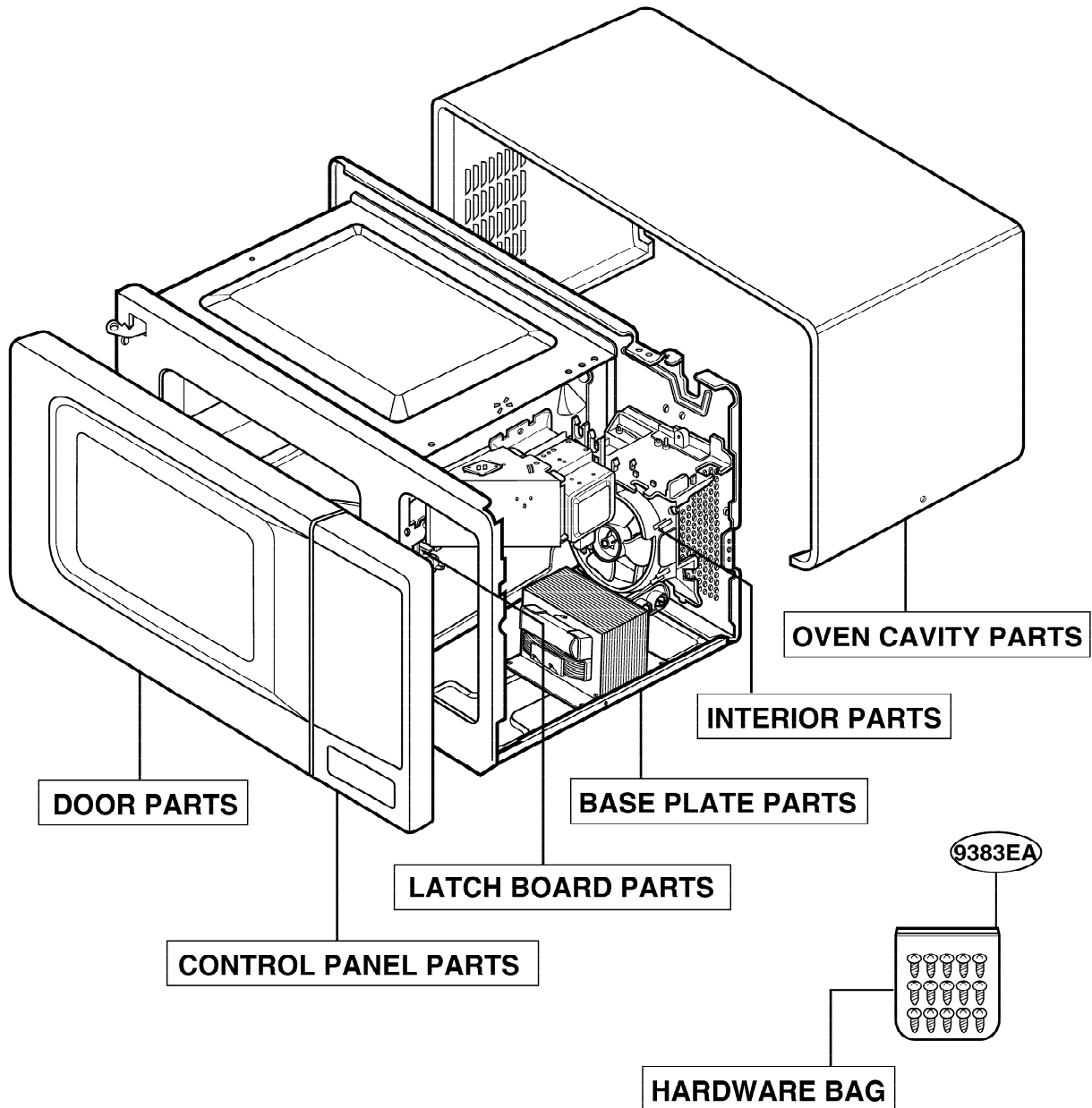
----- Manual continues below -----

EXPLODED VIEW

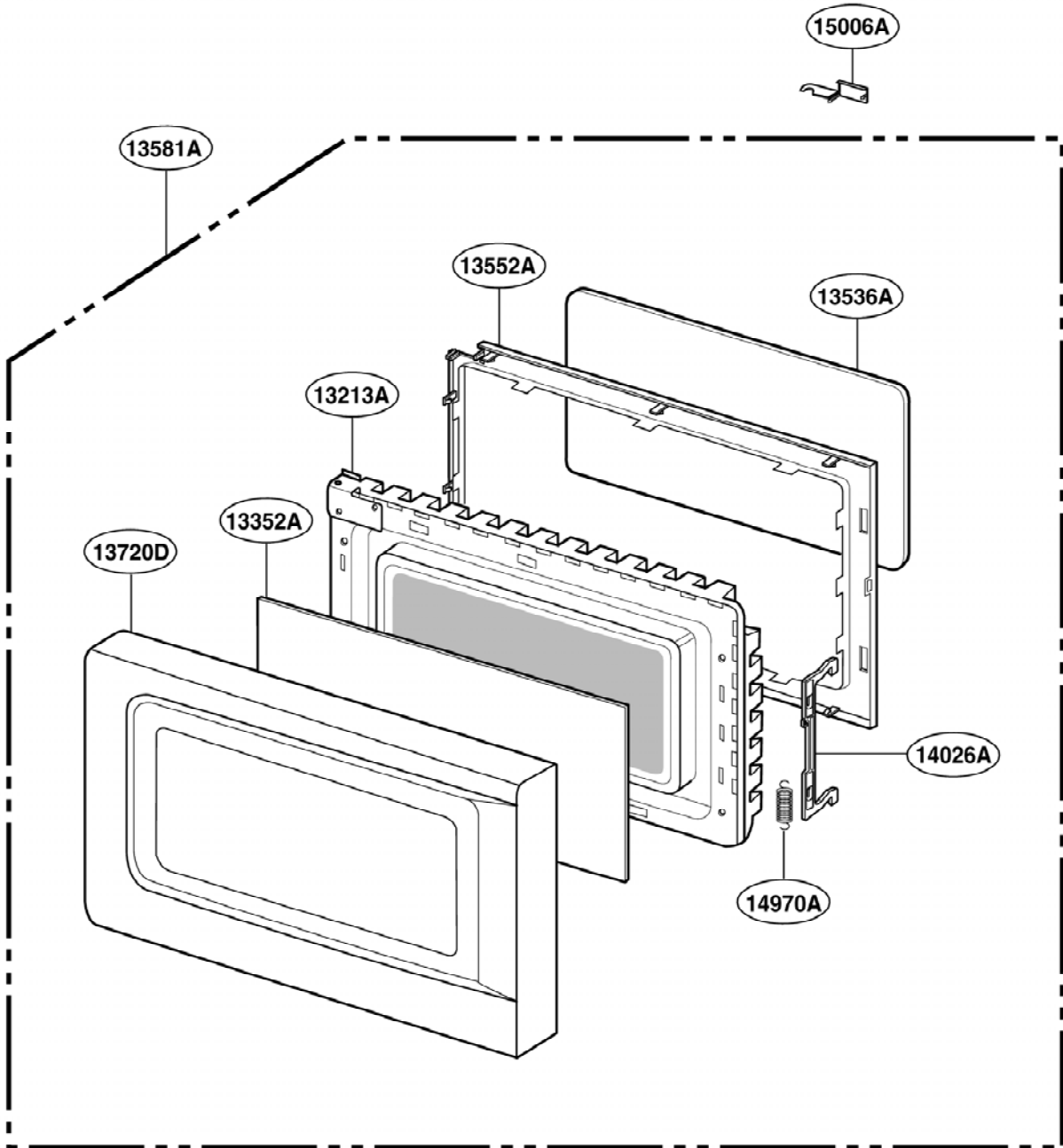
INTRODUCTION

JES1039

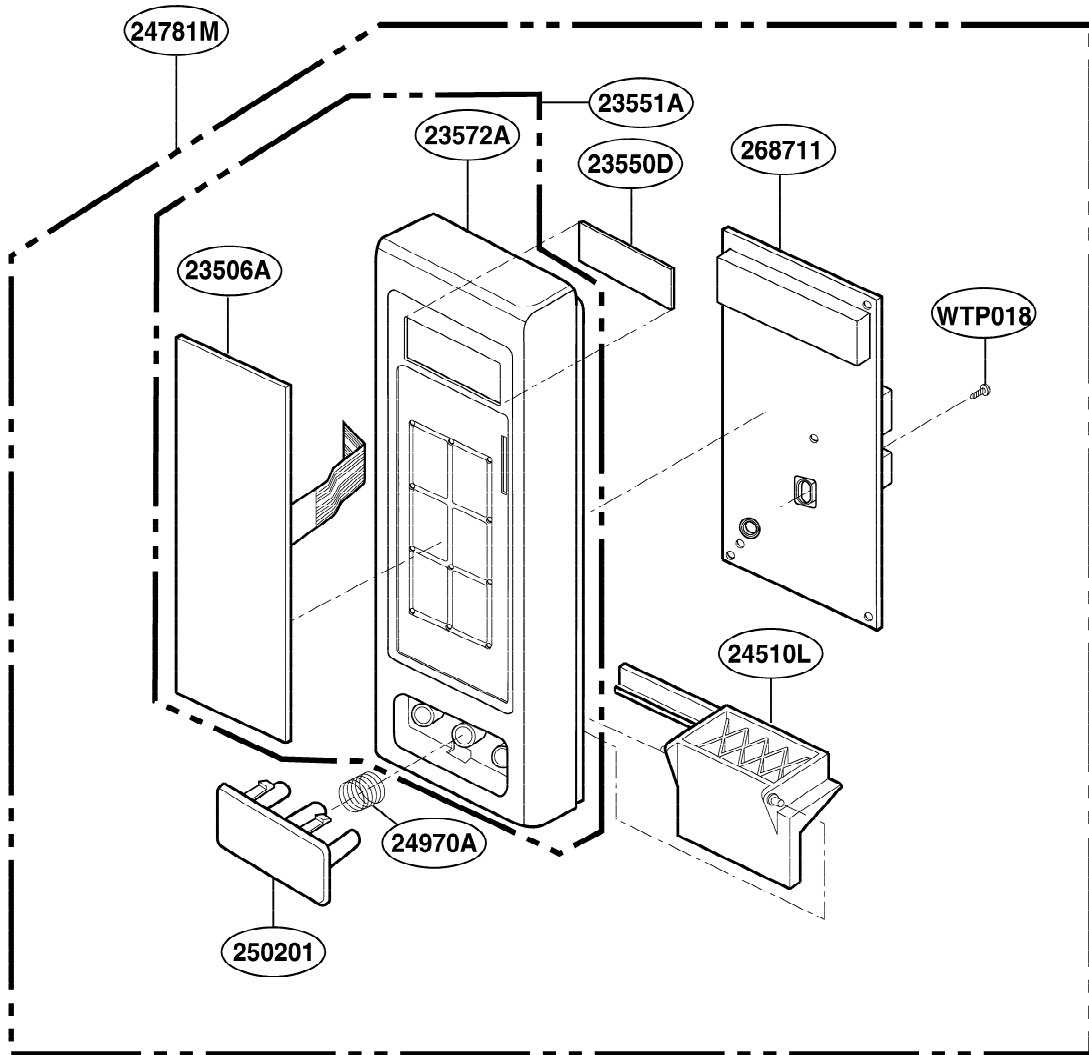
JES1036



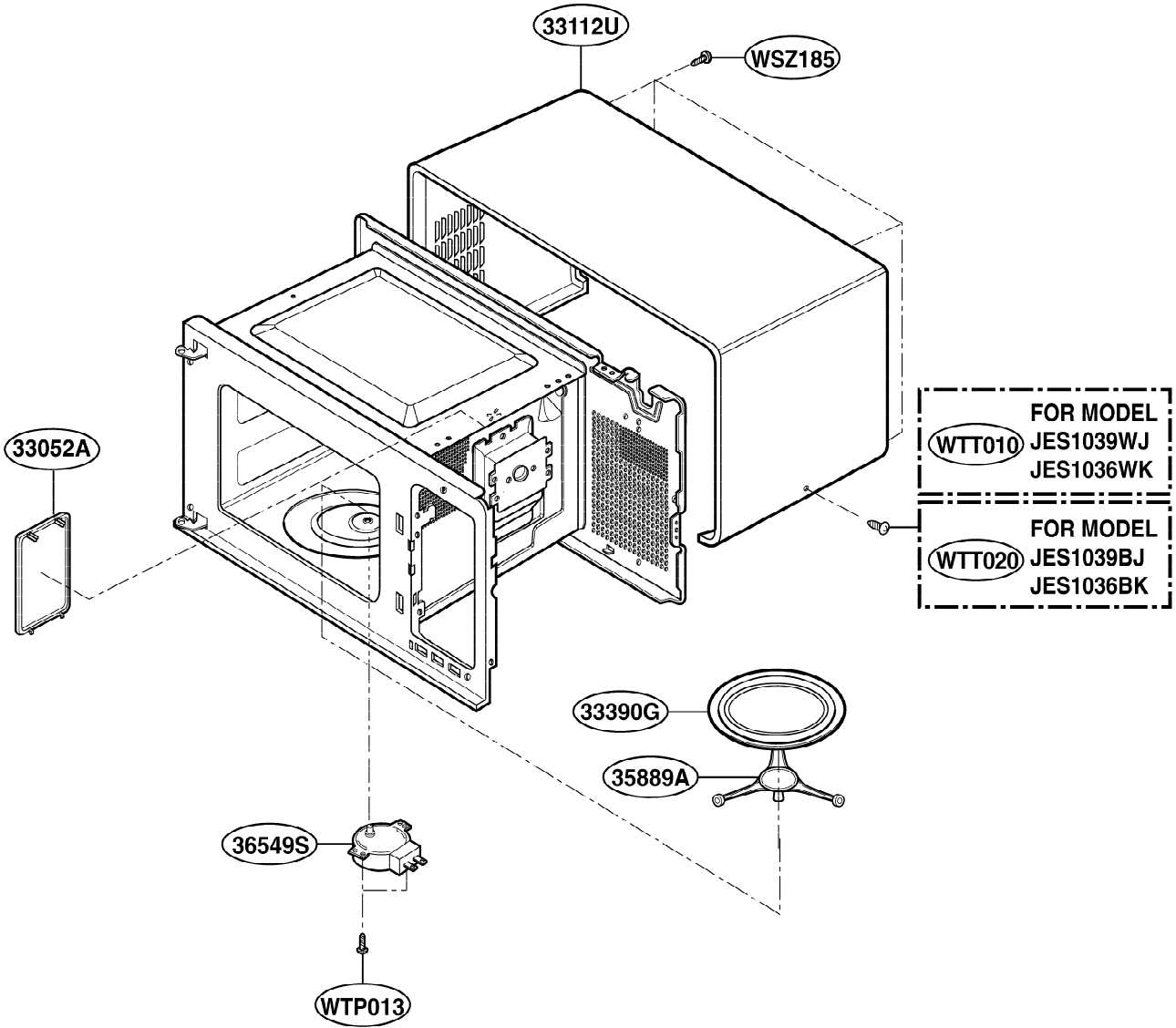
DOOR PARTS



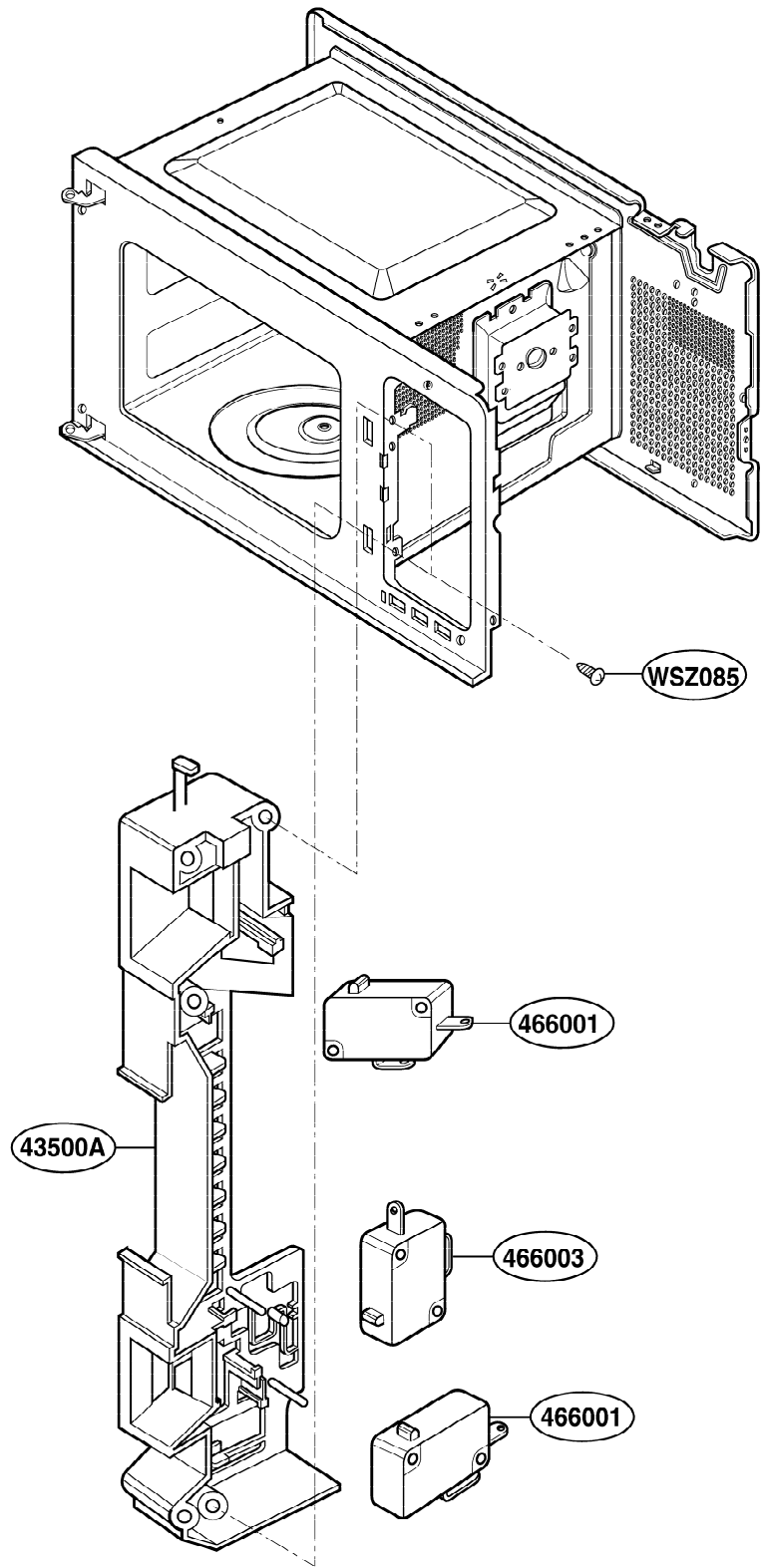
CONTROL PANEL PARTS



OVEN CAVITY PARTS



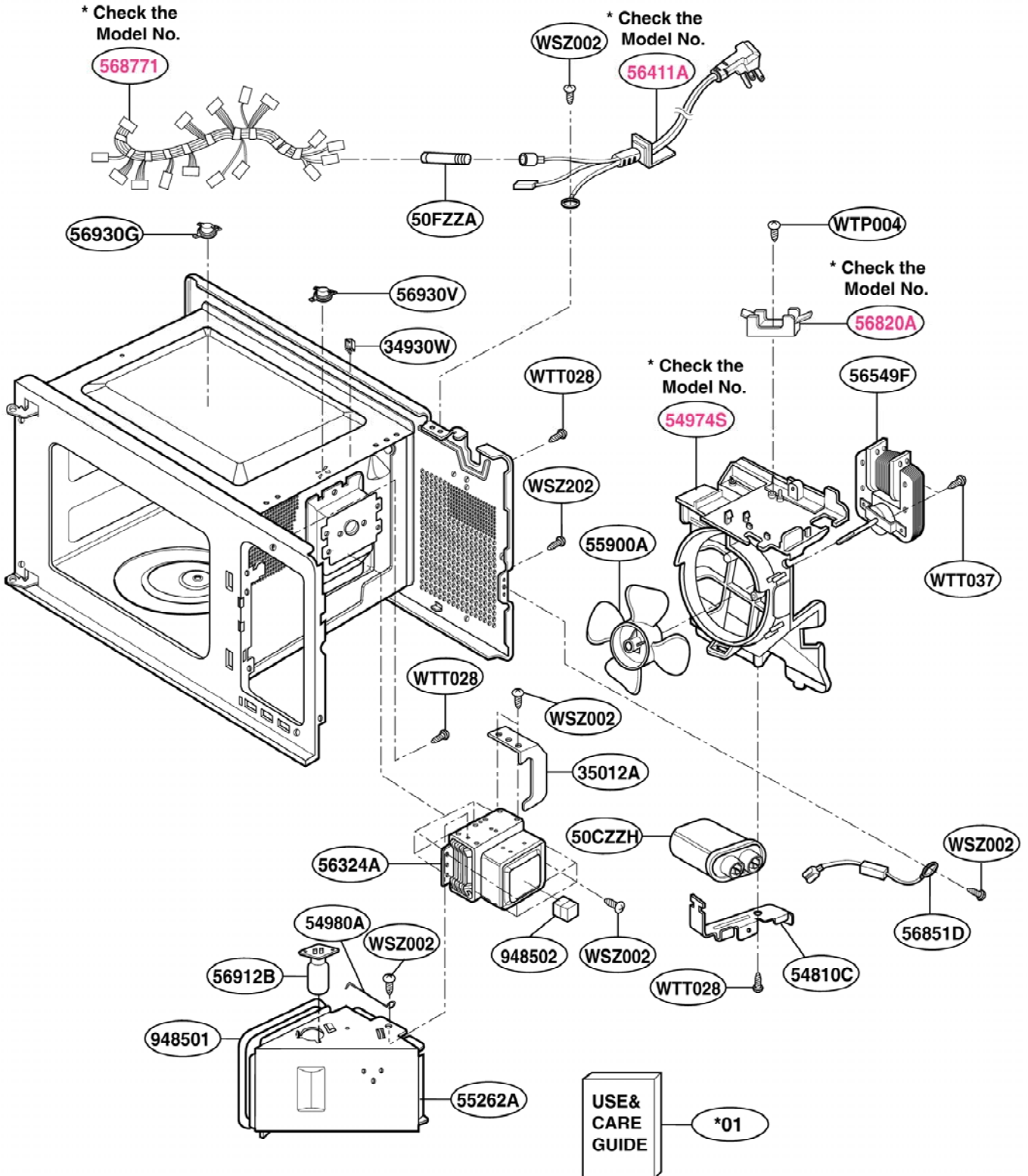
LATCH BOARD PARTS



INTERIOR PARTS (I)

Model: JES1039WJ 01
JES1039BJ 01
JES1036WK 01
JES1036BK 01

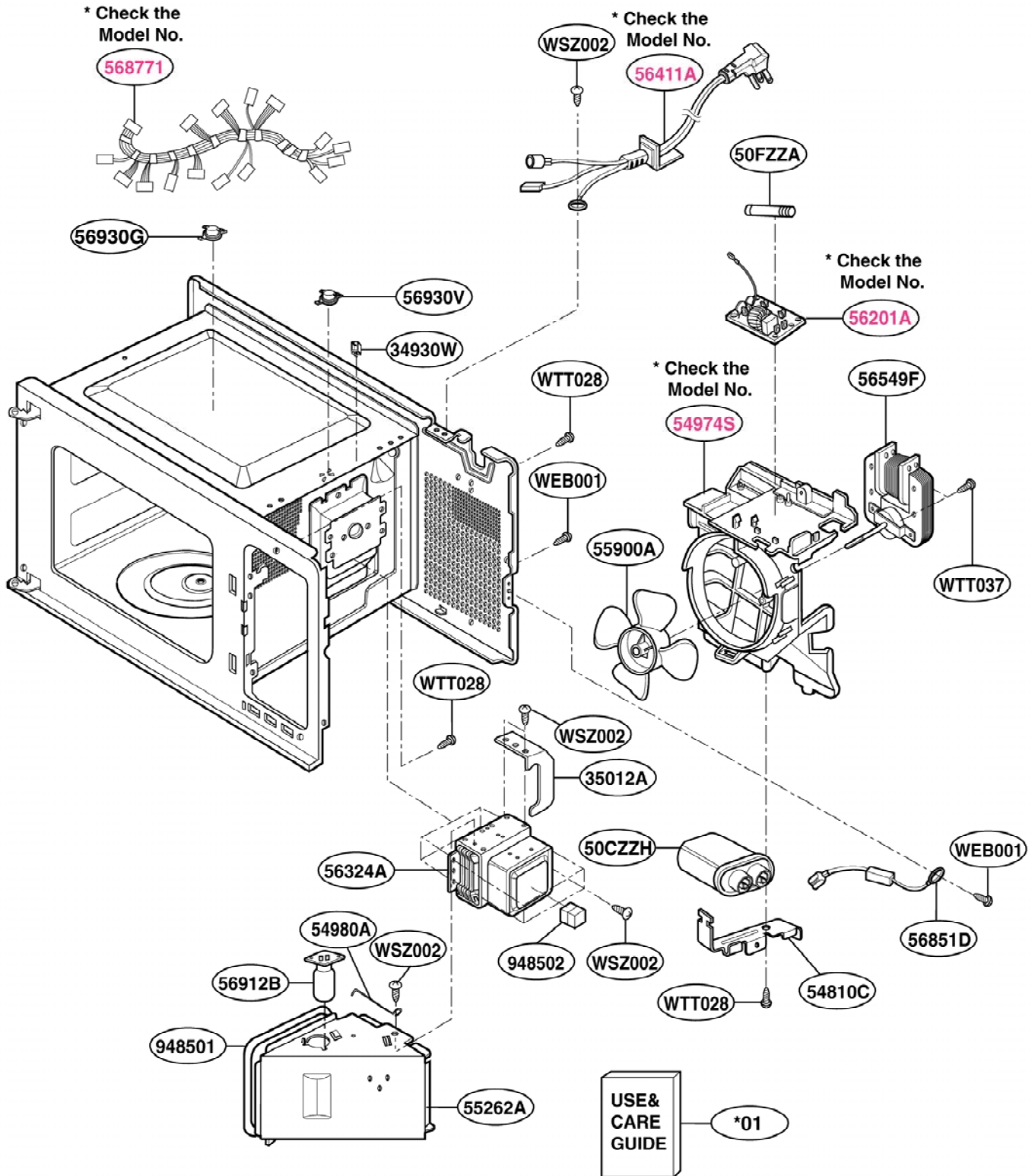
Check the rating label of **Model** and order SVC parts according to the **Model No.**



INTERIOR PARTS (II)

Model: JES1039WJ 02
JES1039BJ 02
JES1036WK 02

Check the rating label of **Model** and order SVC parts according to the **Model No.**



BASE PLATE PARTS

