

This Owner's Manual is provided and hosted by [Appliance Factory Parts](#).



GE JES1133WD Owner's Manual

[Shop genuine replacement parts for GE JES1133WD](#)



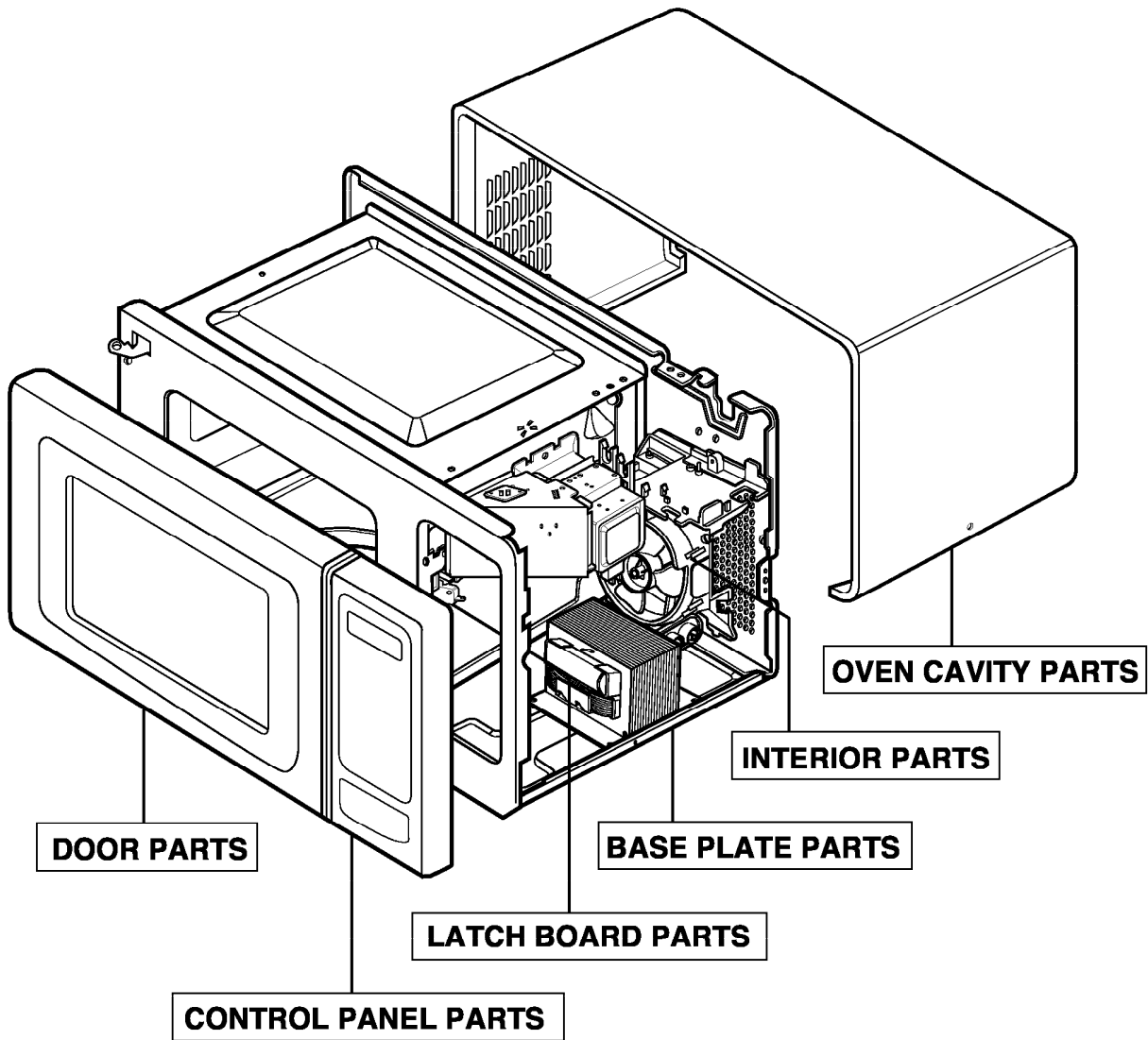
[Find Your GE Microwave Parts - Select From 3055 Models](#)

----- Manual continues below -----

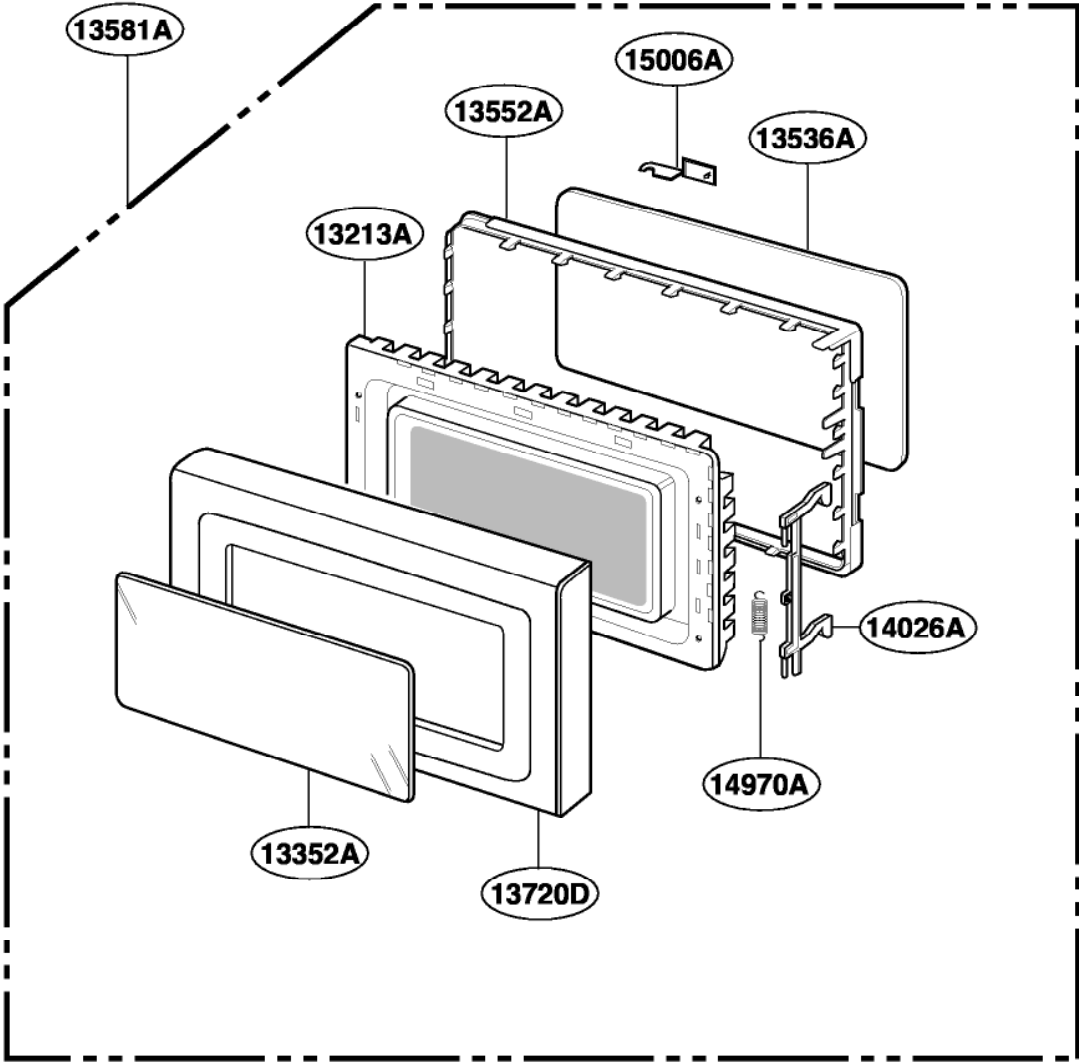
EXPLODED VIEW

INTRODUCTION

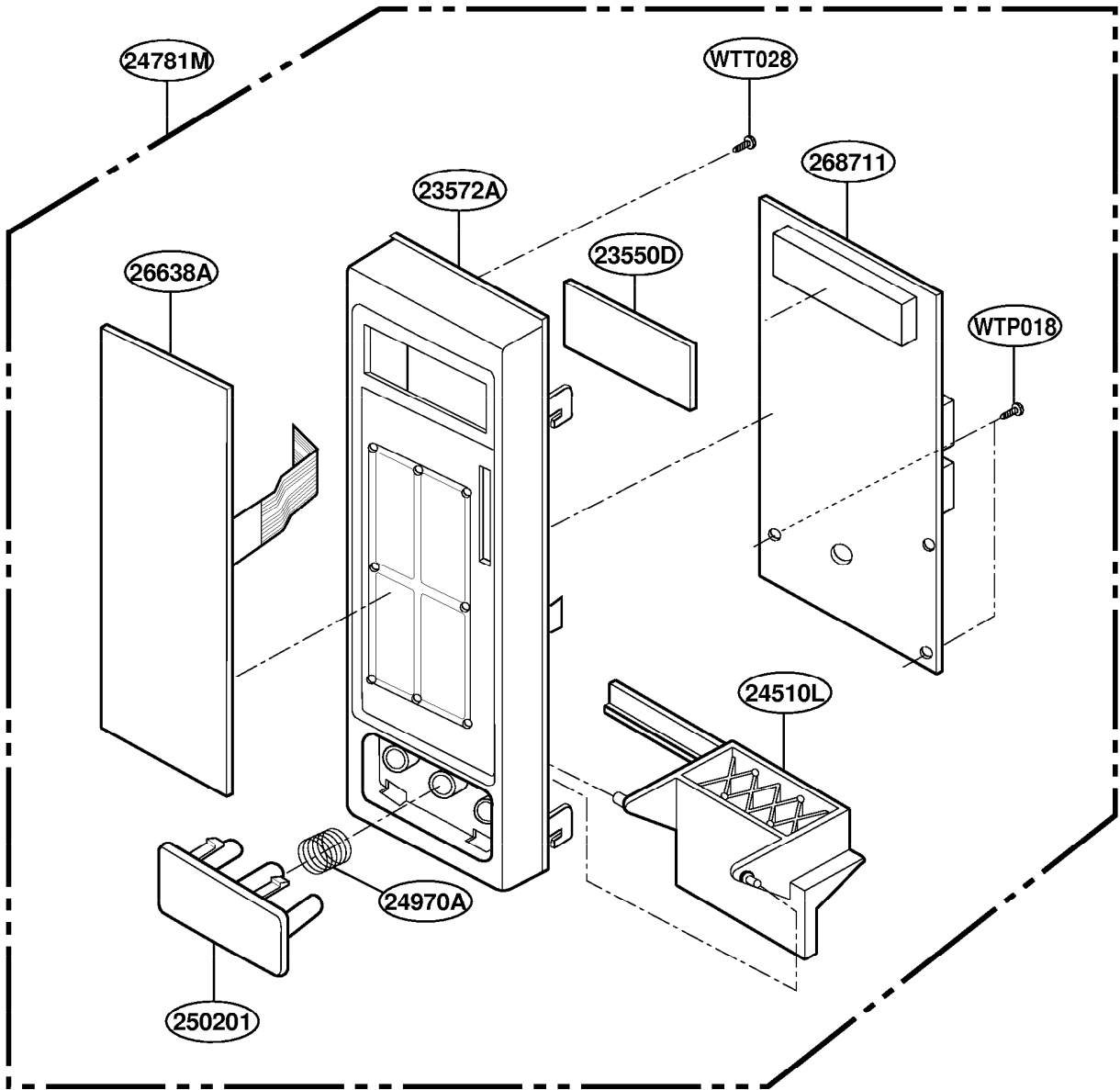
MODEL: JES1133WD



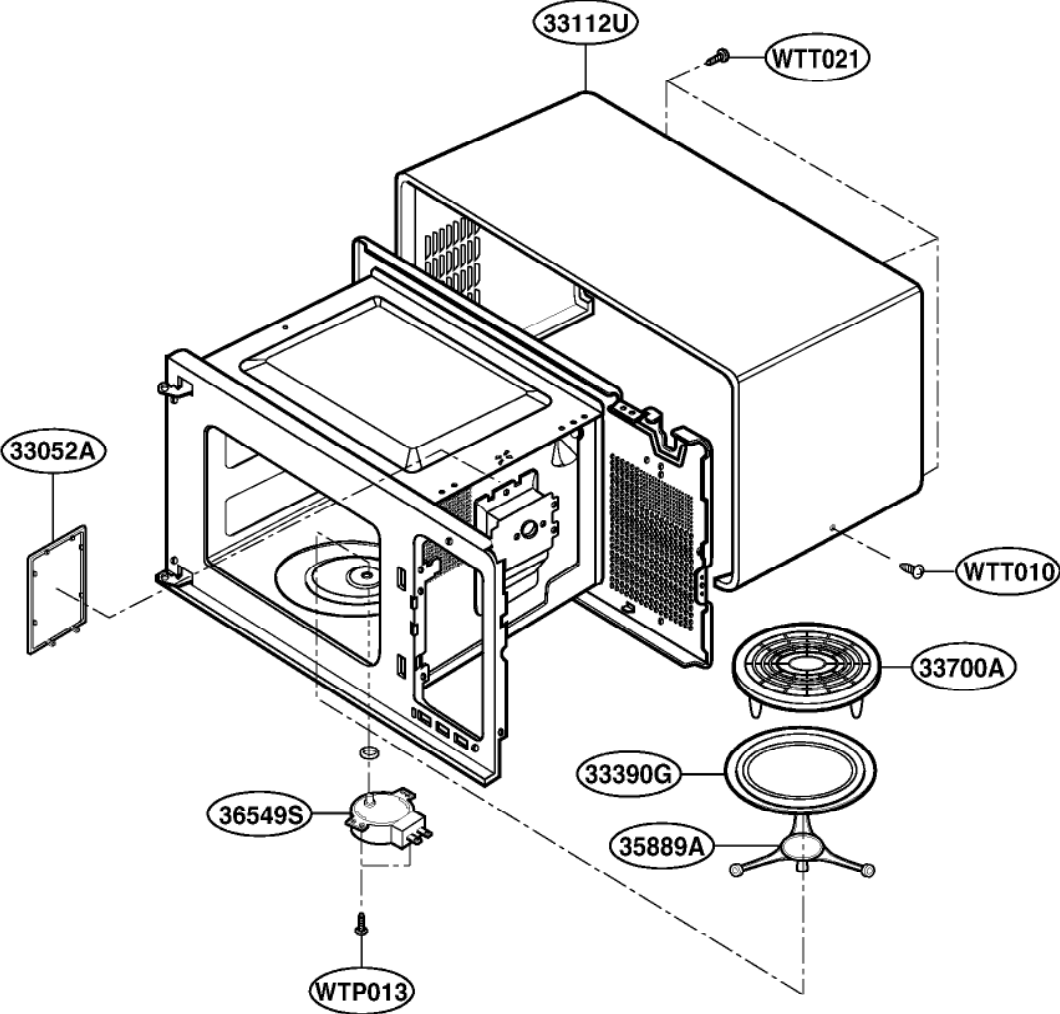
DOOR PARTS



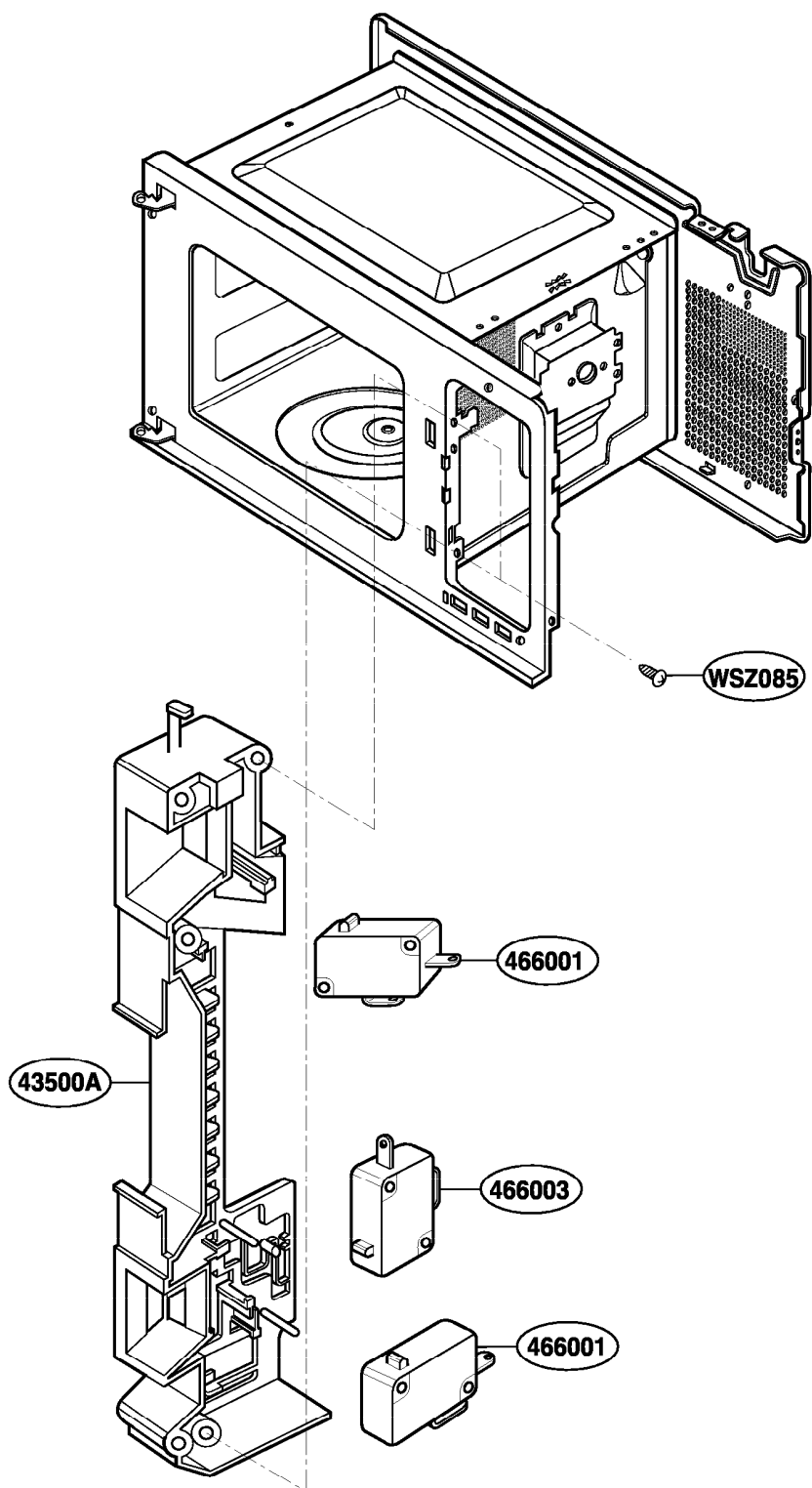
CONTROLLER PARTS



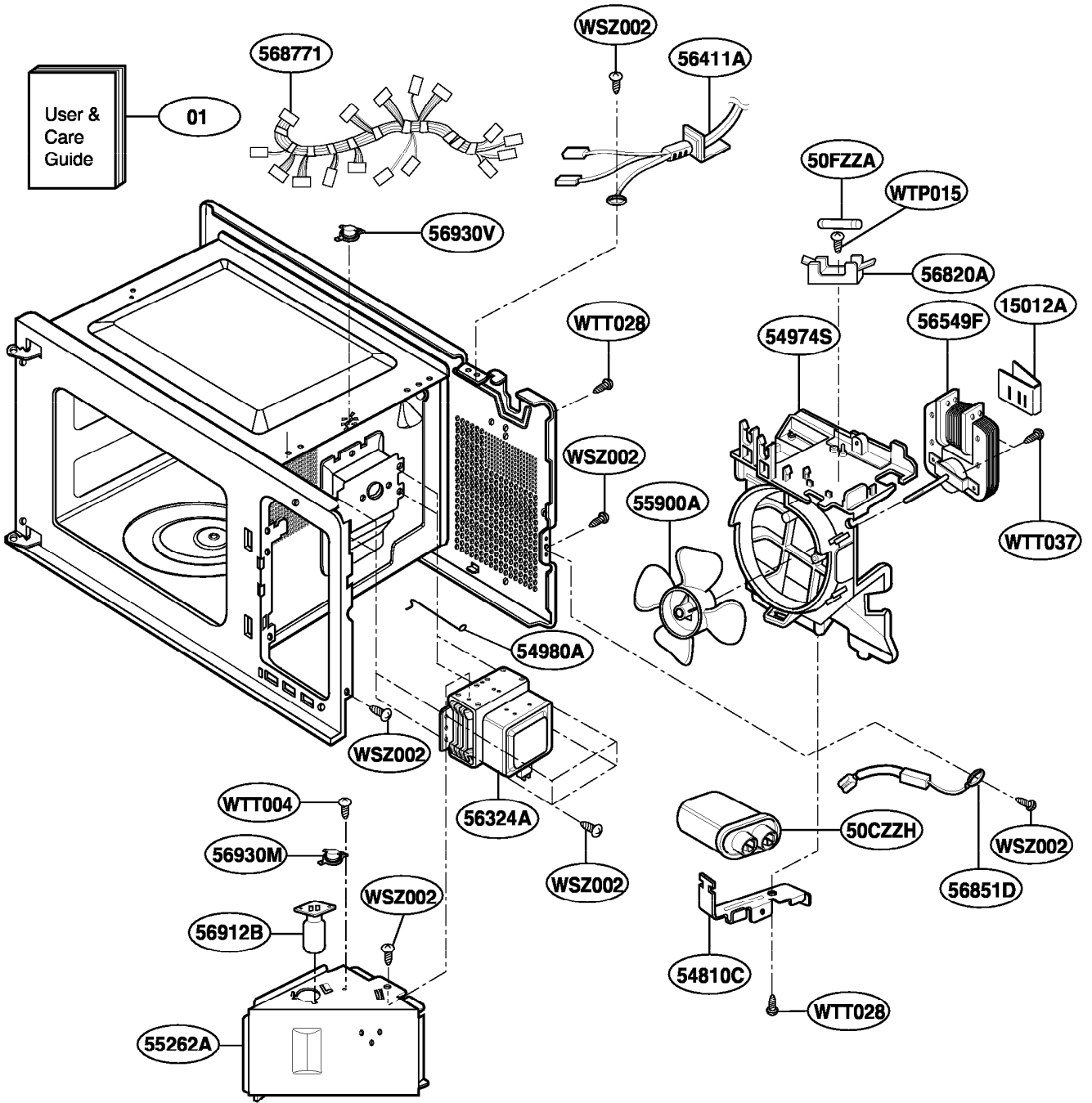
OVEN CAVITY PARTS



LATCH BOARD PARTS



INTERIOR PARTS



BASE PLATE PARTS

