

This Owner's Manual is provided and hosted by [Appliance Factory Parts](#).



# GE JES1351WB Owner's Manual

[Shop genuine replacement parts for GE JES1351WB](#)

## DOOR PARTS



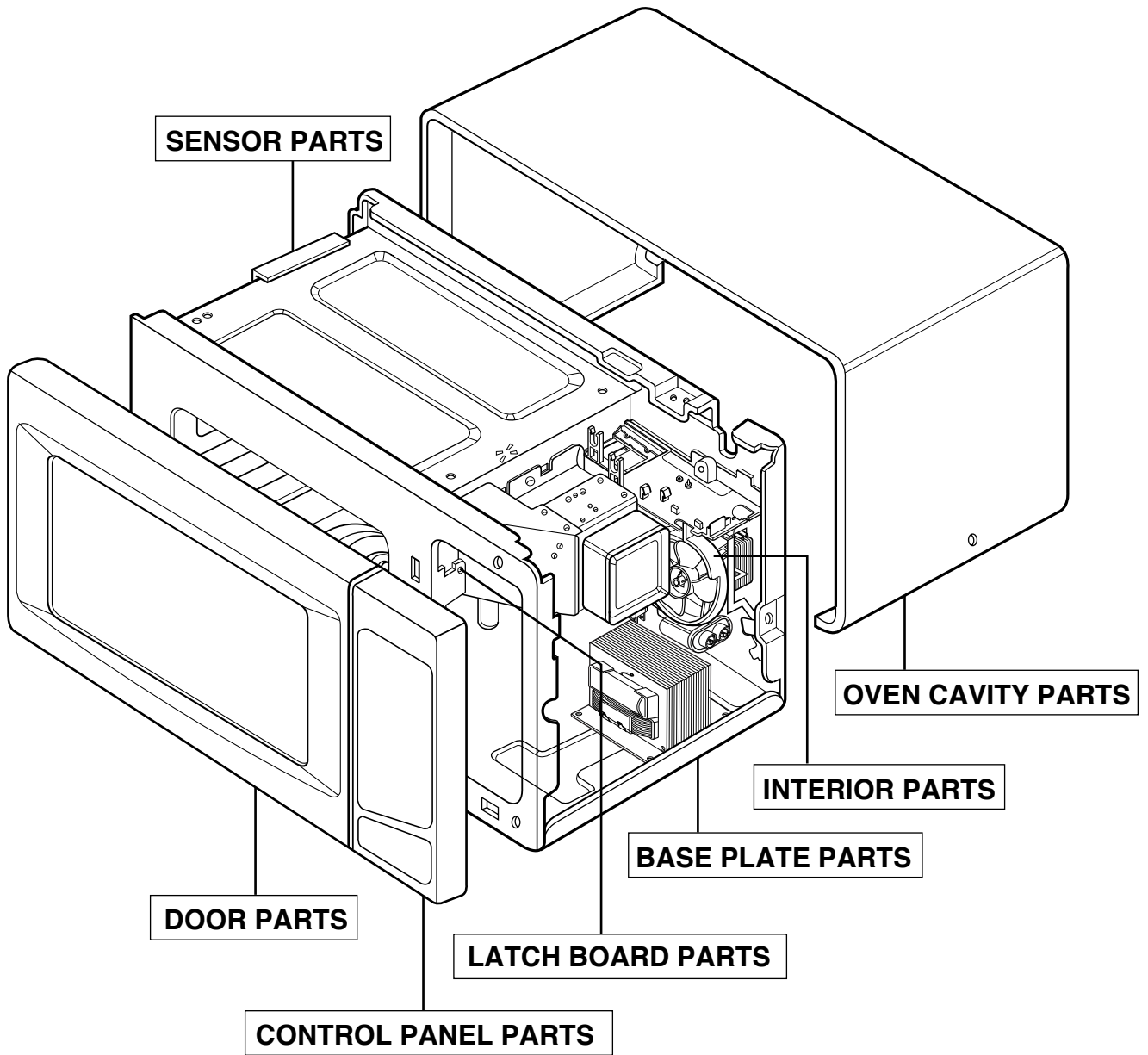
[Find Your GE Microwave Parts - Select From 3055 Models](#)

----- Manual continues below -----

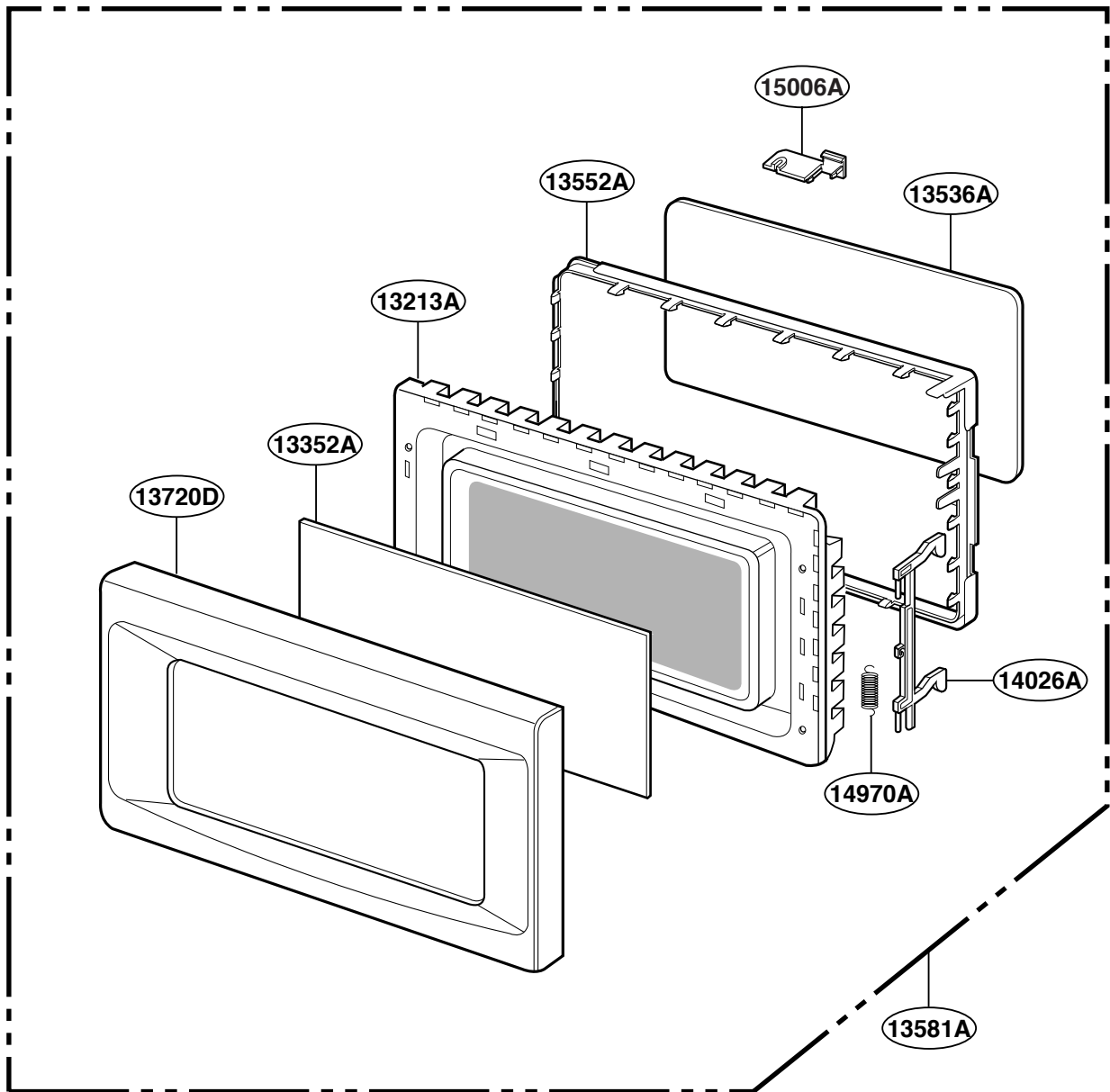
# EXPLODED VIEW

## INTRODUCTION

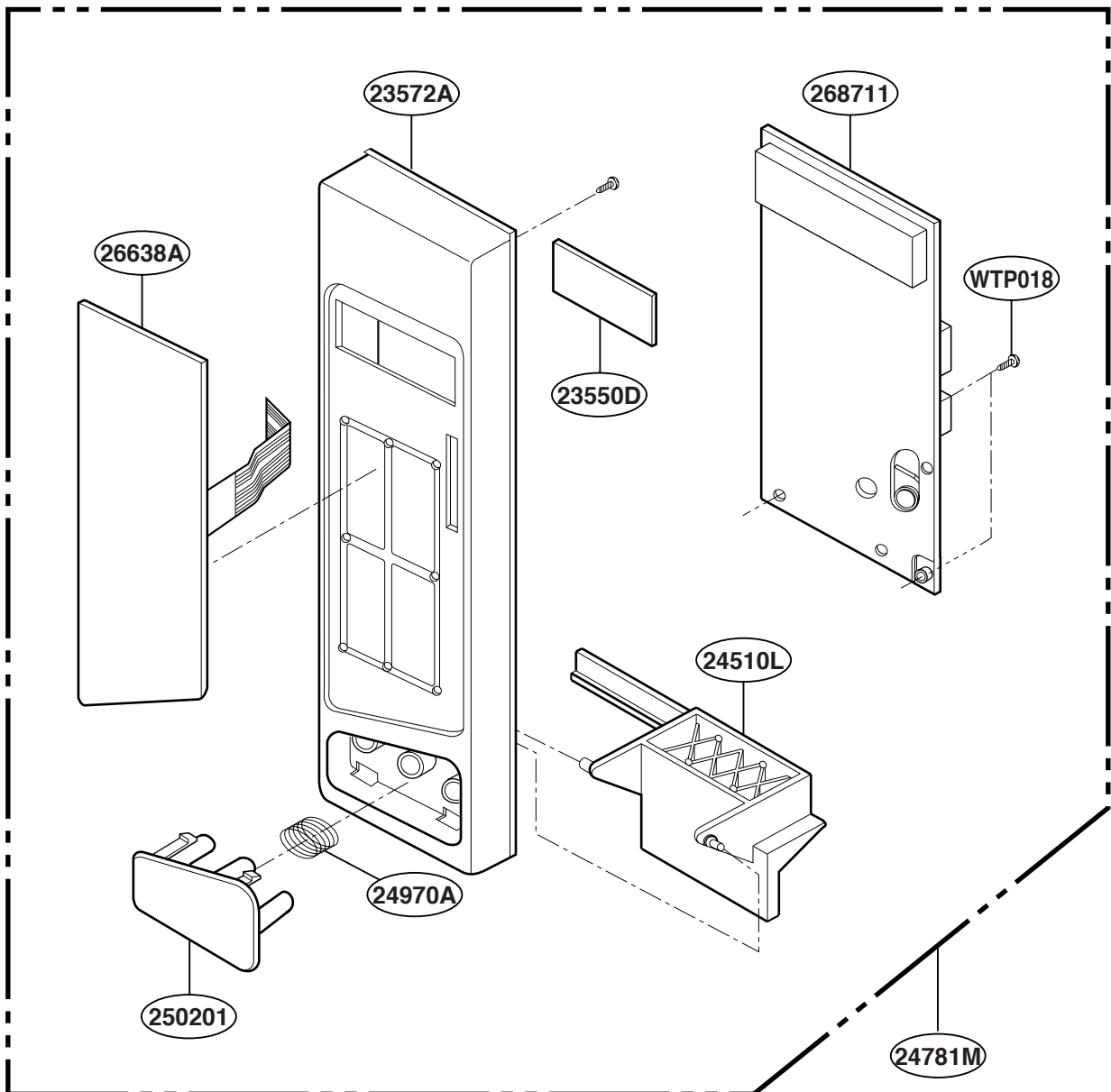
MS-134SP



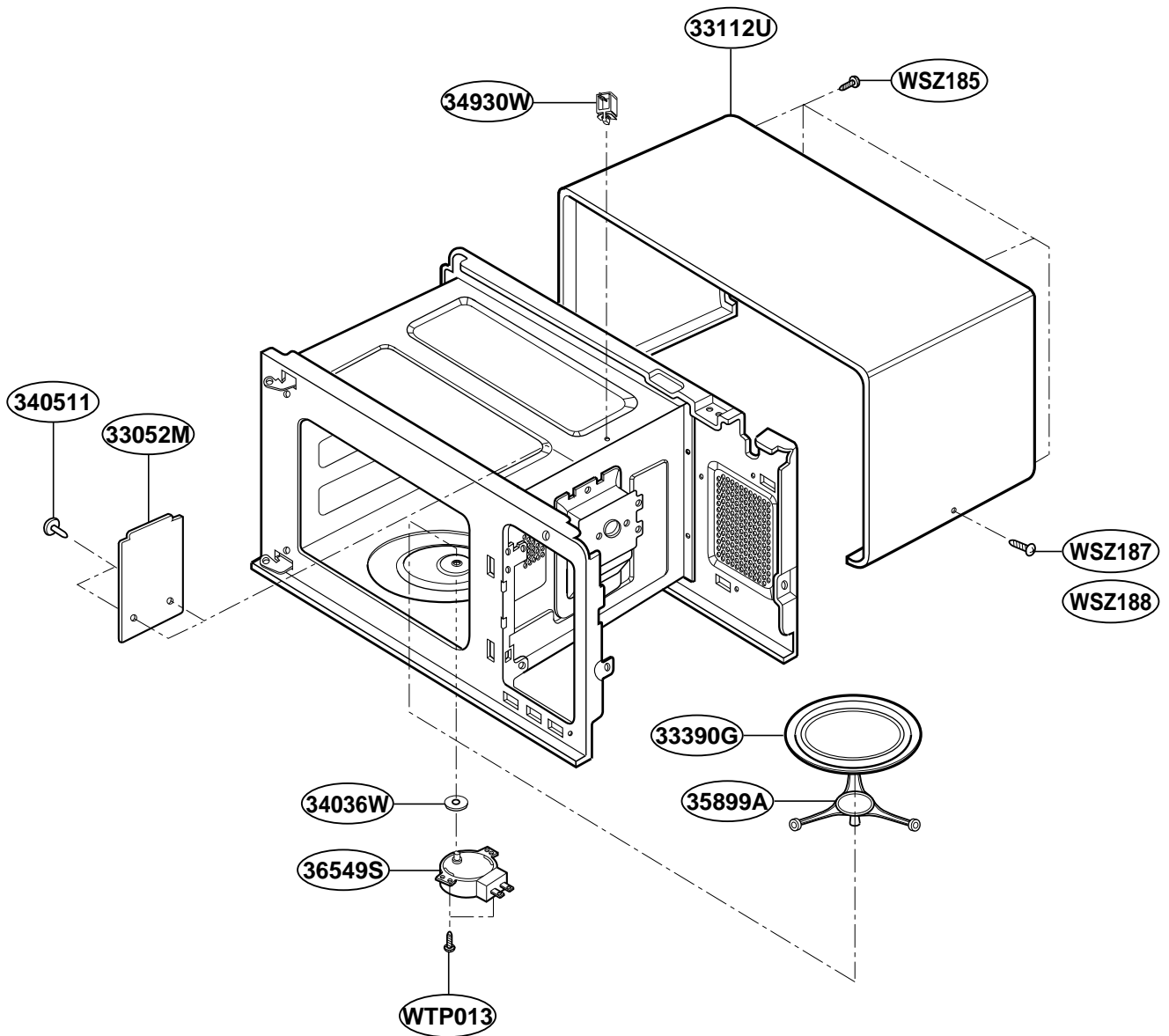
# DOOR PARTS



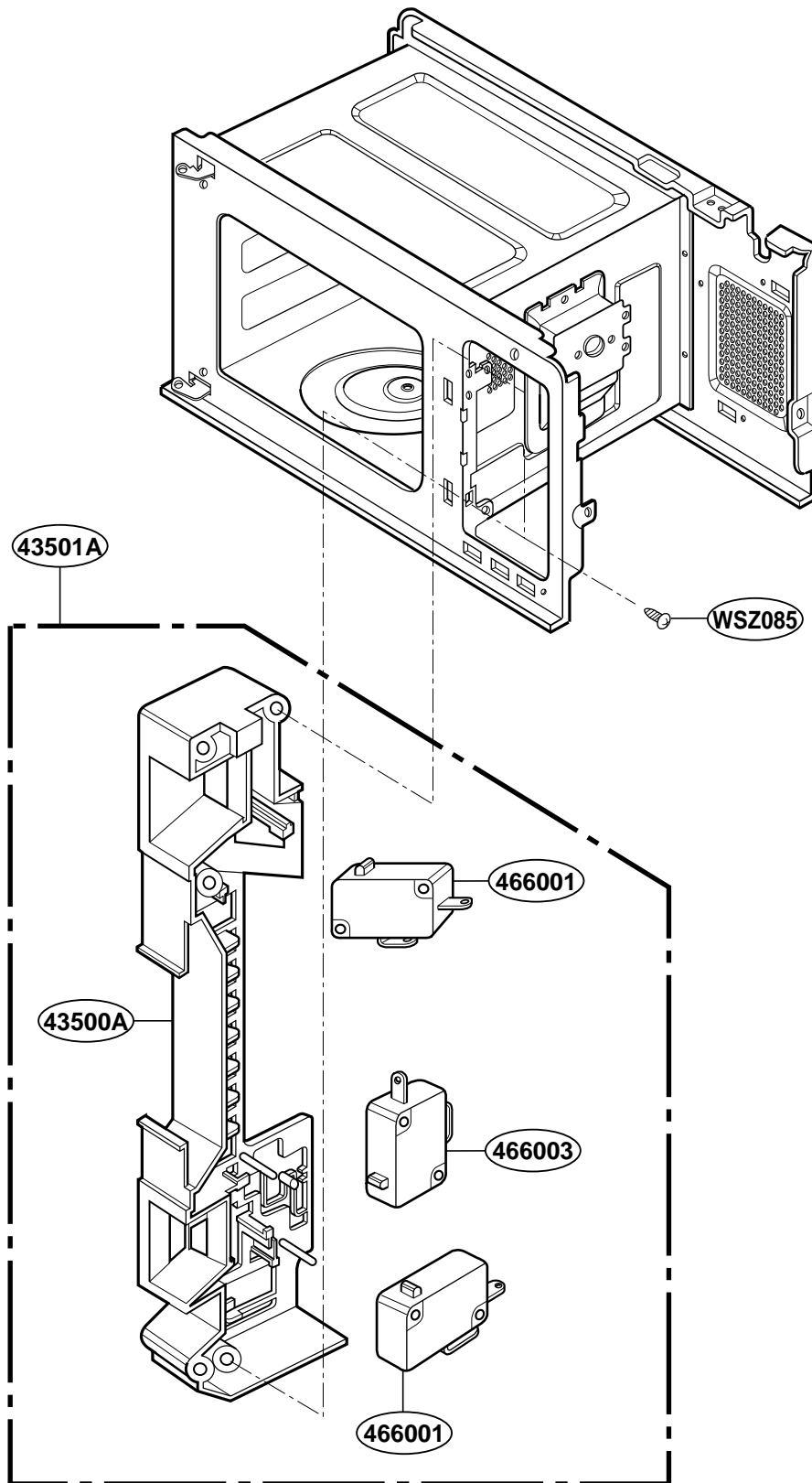
# CONTROL PANEL PARTS



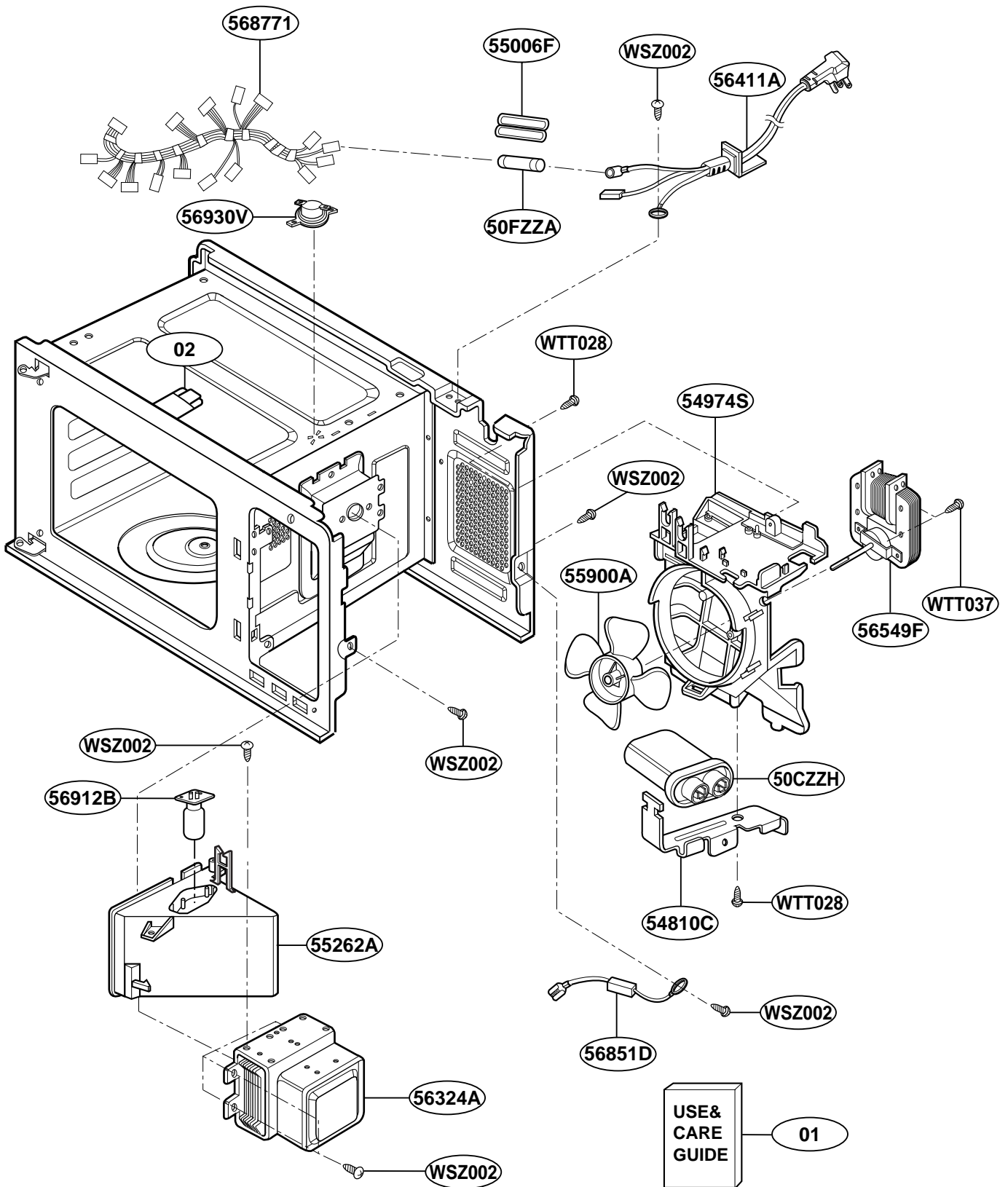
# OVEN CAVITY PARTS



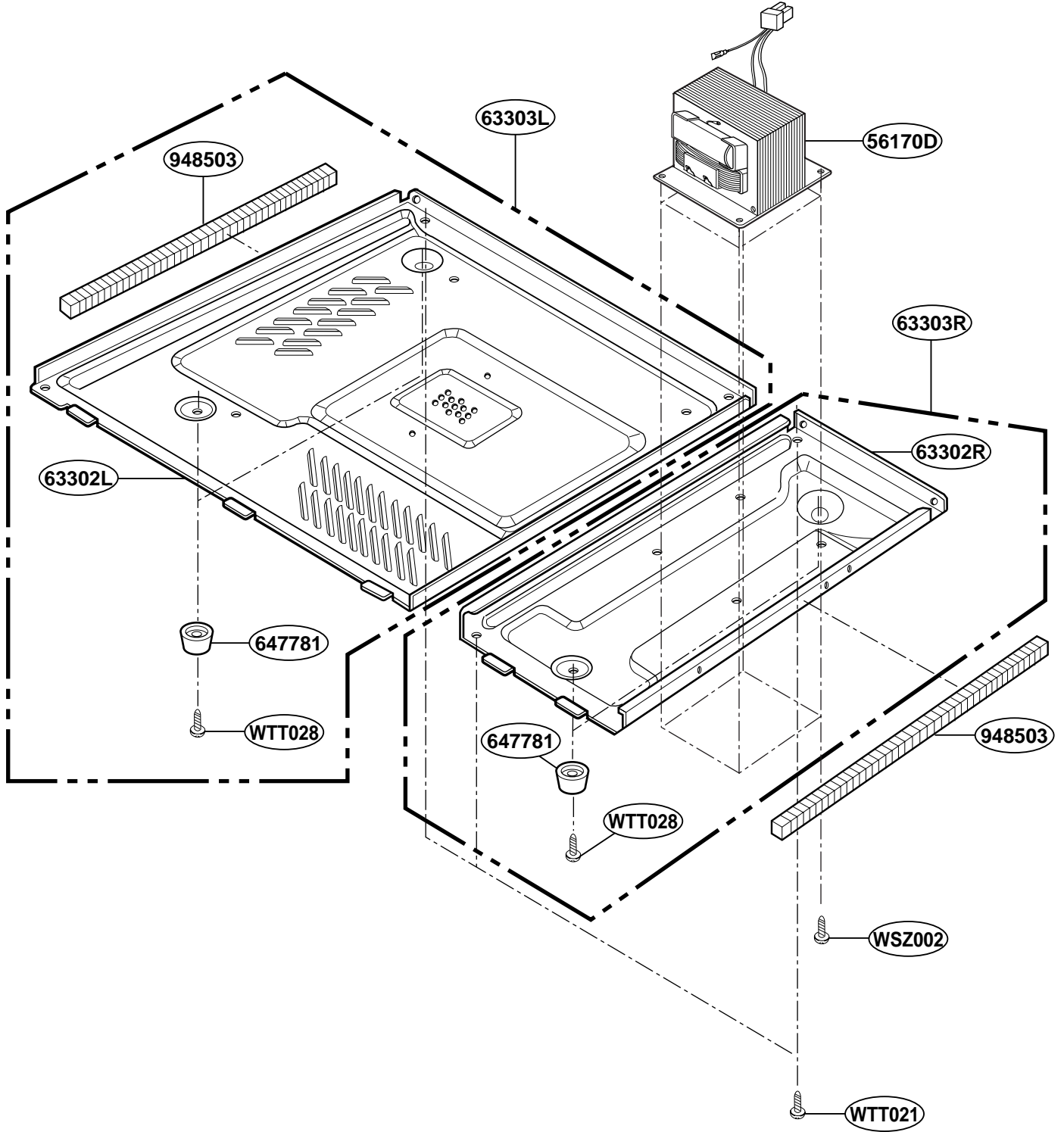
# LATCH BOARD PARTS



# INTERIOR PARTS



# BASE PLATE PARTS



# SENSOR PARTS

