

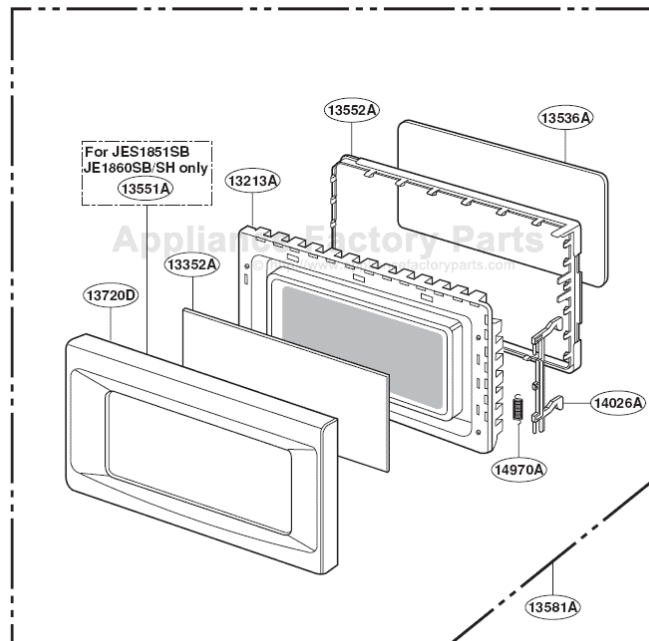
This Owner's Manual is provided and hosted by [Appliance Factory Parts](http://Appliance Factory Parts).



# GE JES1851GB Owner's Manual

[Shop genuine replacement parts for GE JES1851GB](#)

## DOOR PARTS



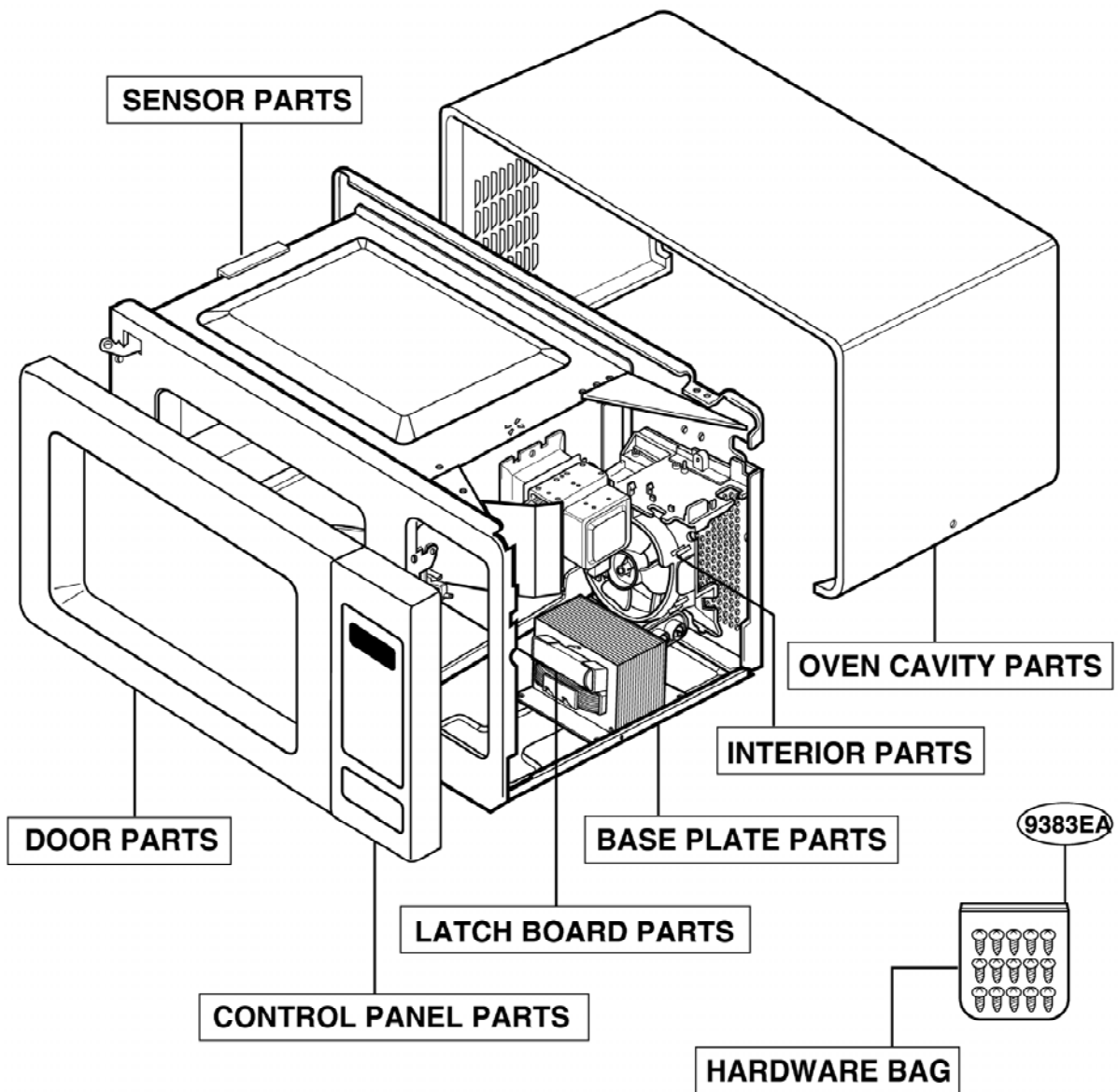
[Find Your GE Microwave Parts - Select From 3055 Models](#)

----- Manual continues below -----

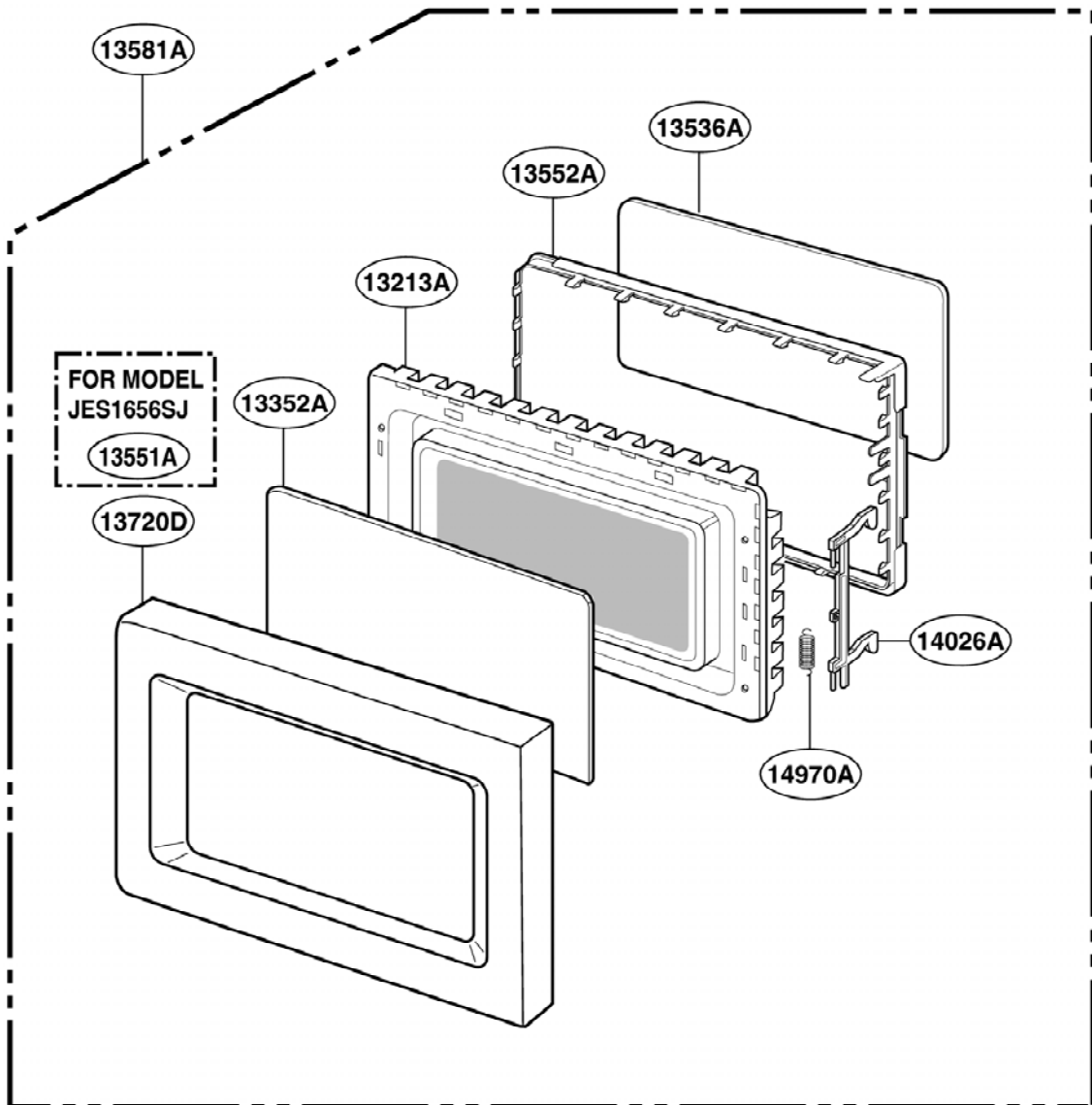
# EXPLODED VIEW

## INTRODUCTION

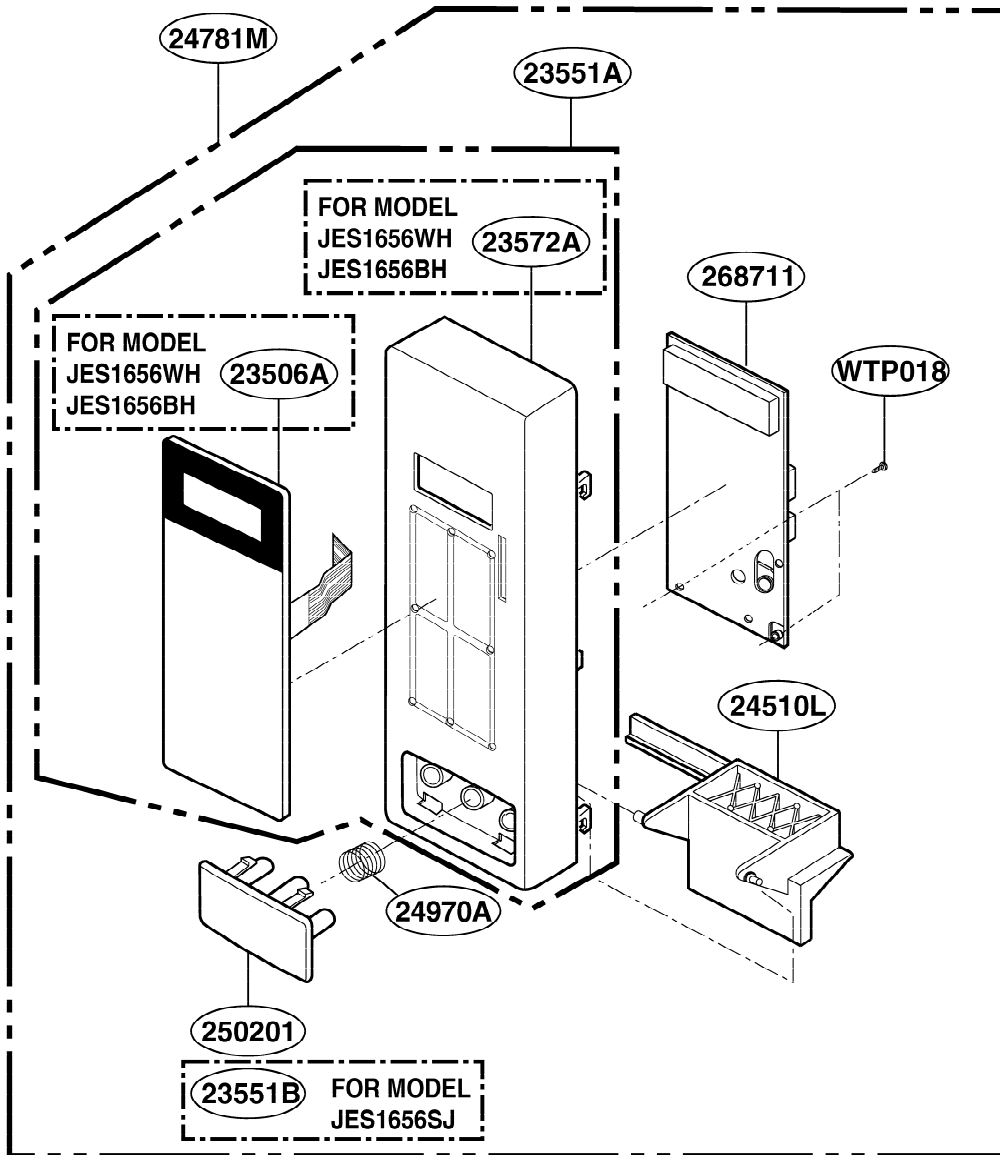
JES1656



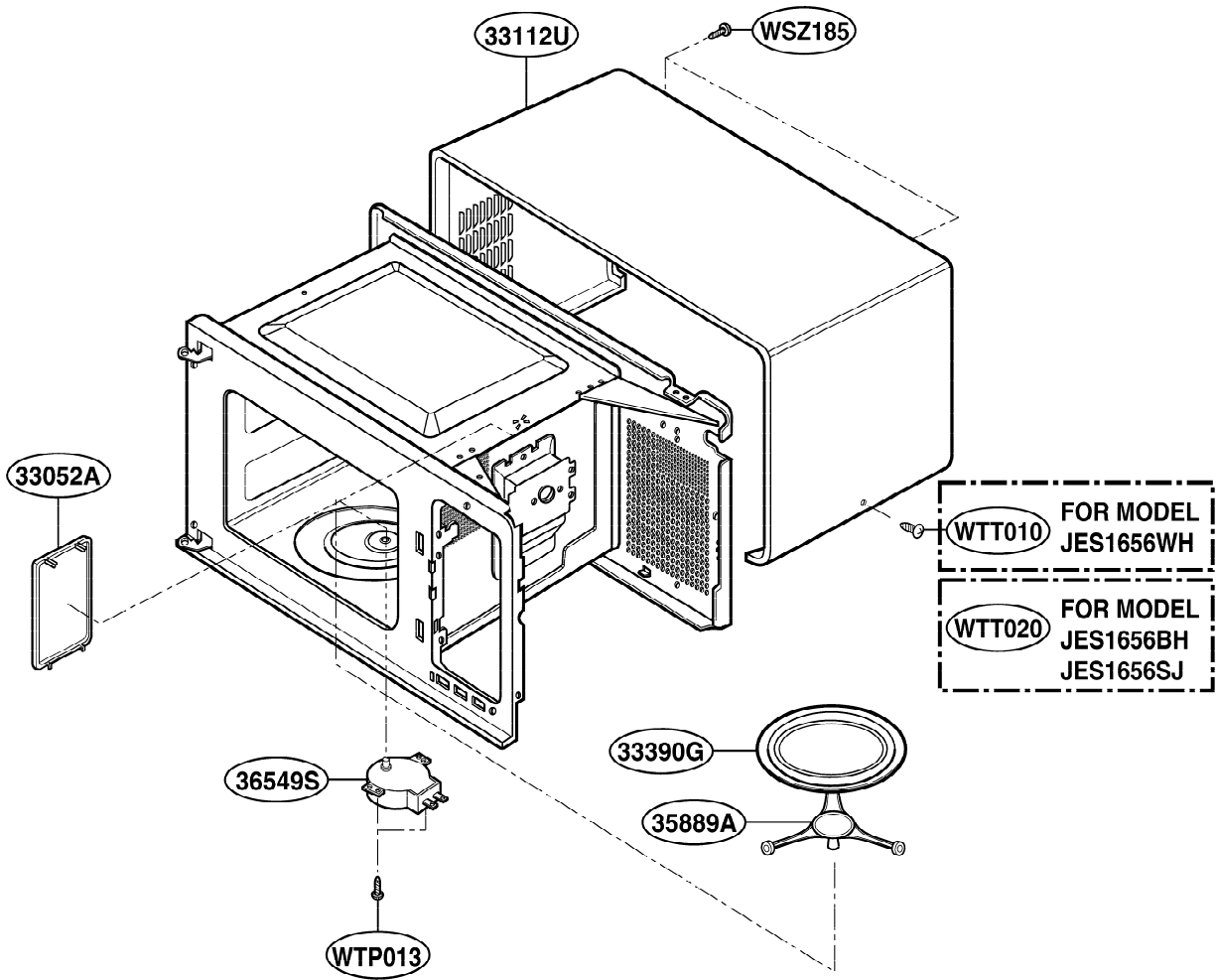
# DOOR PARTS



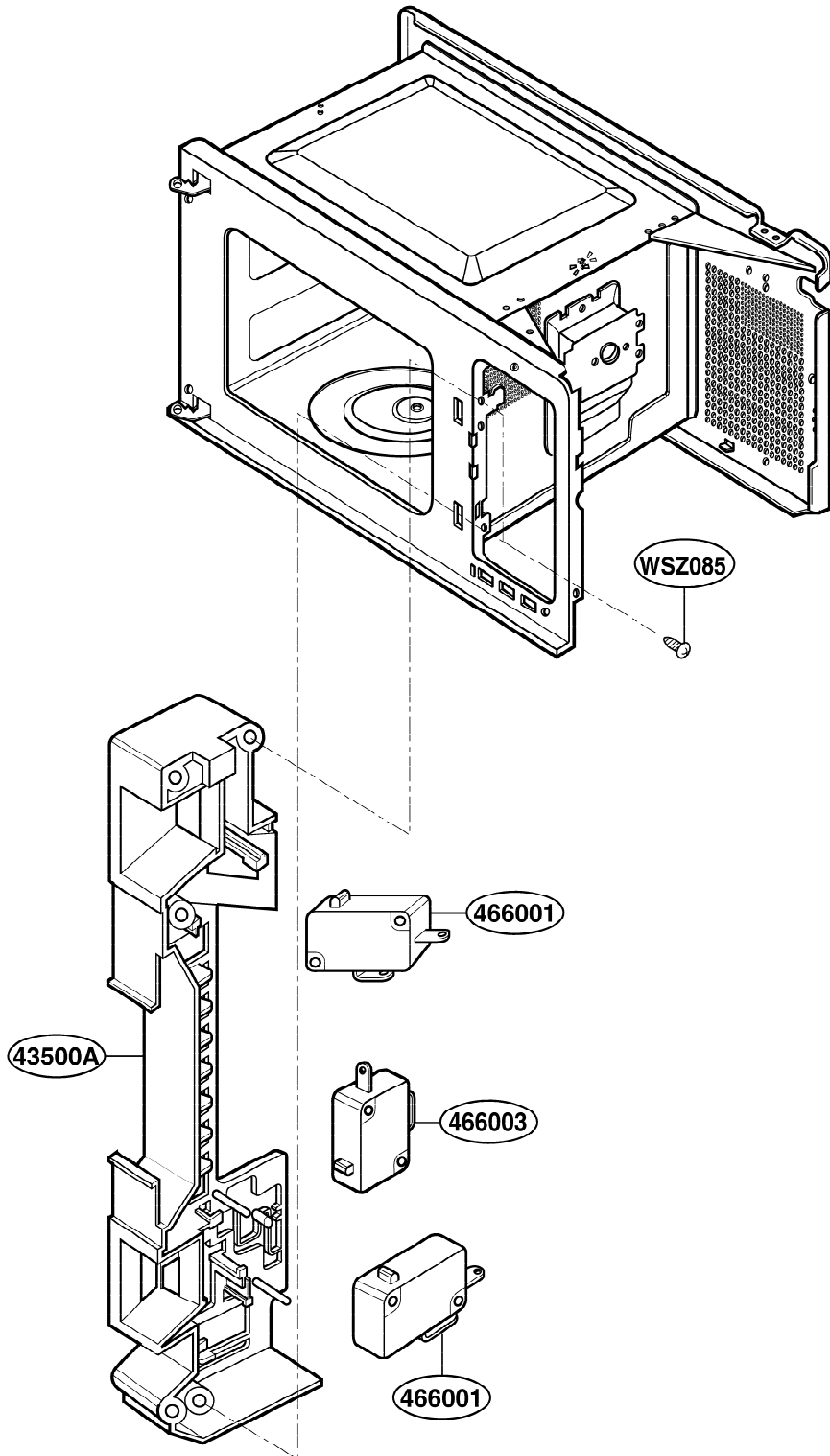
# CONTROL PANEL PARTS



# OVEN CAVITY PARTS



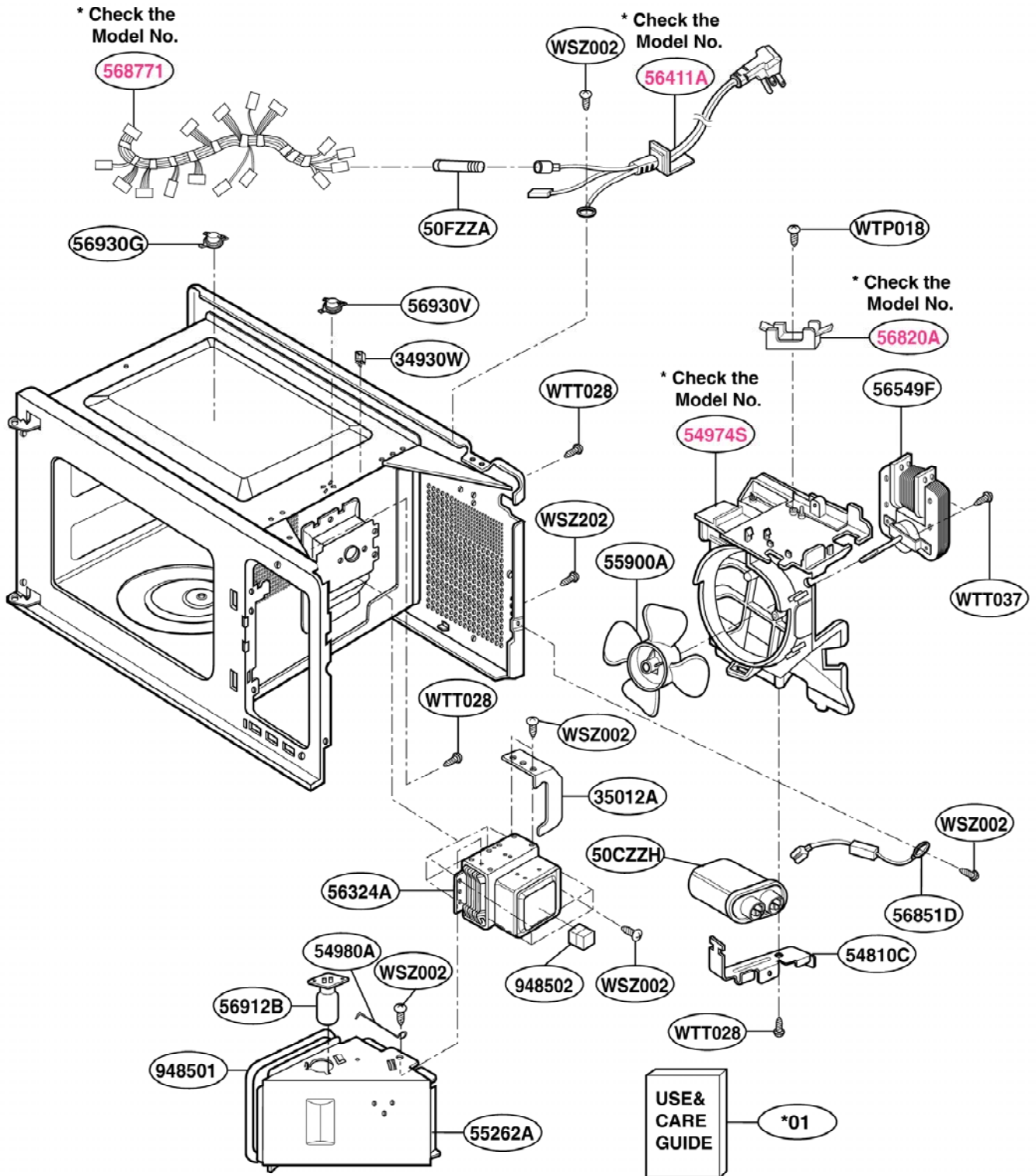
# LATCH BOARD PARTS



# INTERIOR PARTS (I)

Model: JES1656WH 01  
JES1656BH 01  
JES1656SJ 01

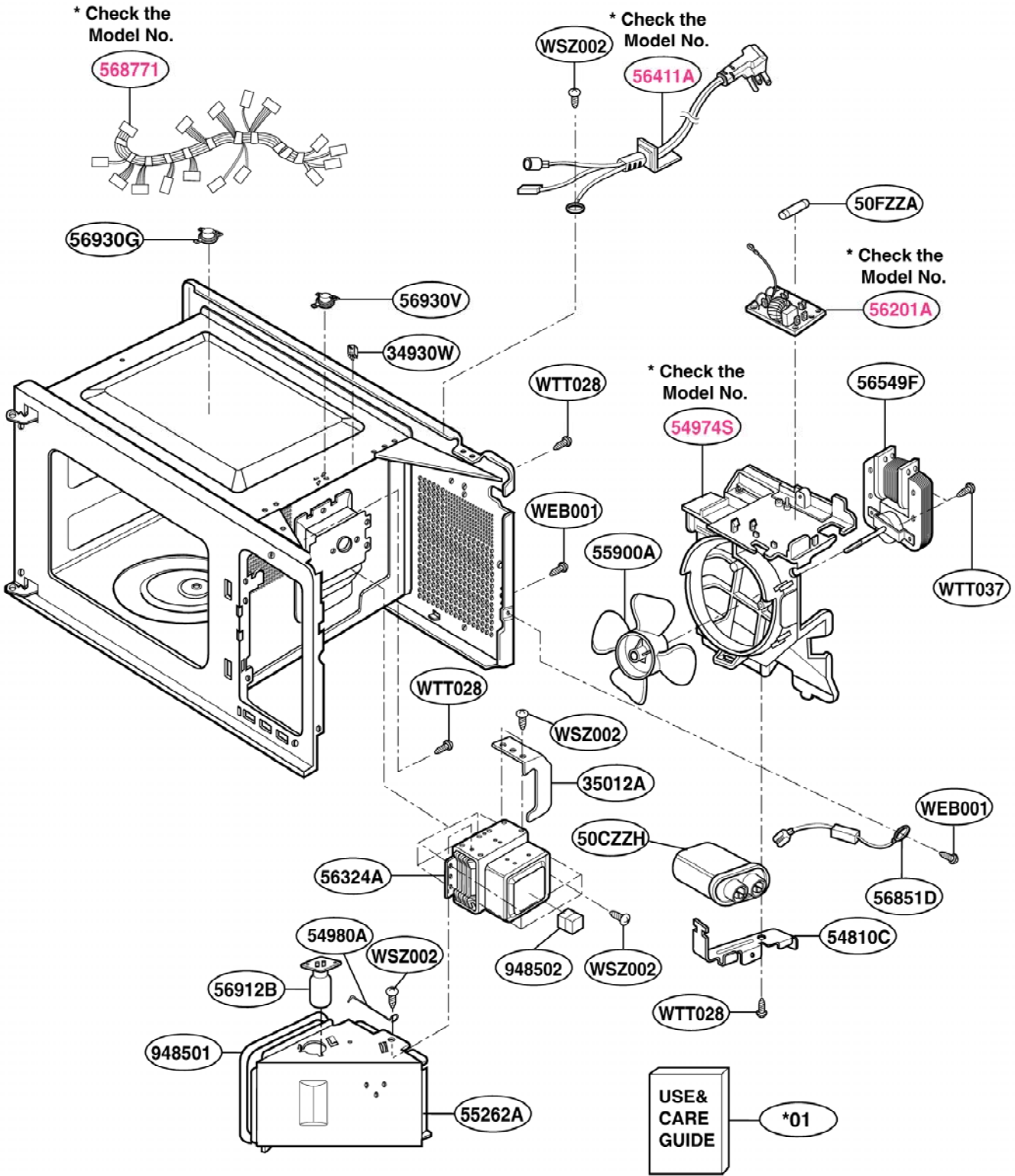
Check the rating label of **Model** and order SVC parts according to the **Model No.**



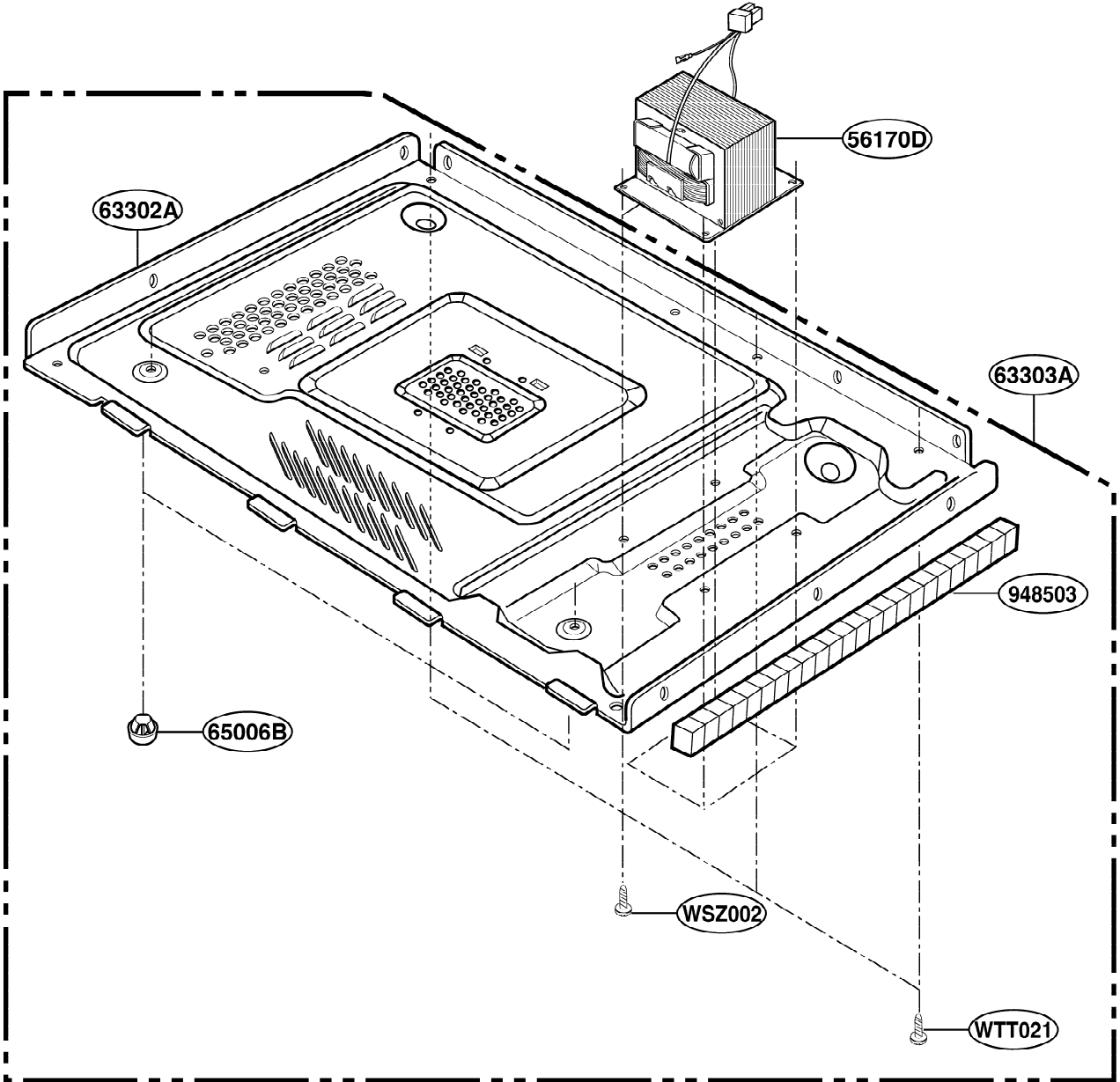
# INTERIOR PARTS (II)

Model: JES1656WH 02  
JES1656BH 02  
JES1656SJ 02

Check the rating label of **Model** and order SVC parts according to the **Model No.**



# BASE PLATE PARTS



# SENSOR PARTS

