

This Owner's Manual is provided and hosted by [Appliance Factory Parts](#).



# GE JES1855PCH Owner's Manual

[Shop genuine replacement parts for GE JES1855PCH](#)



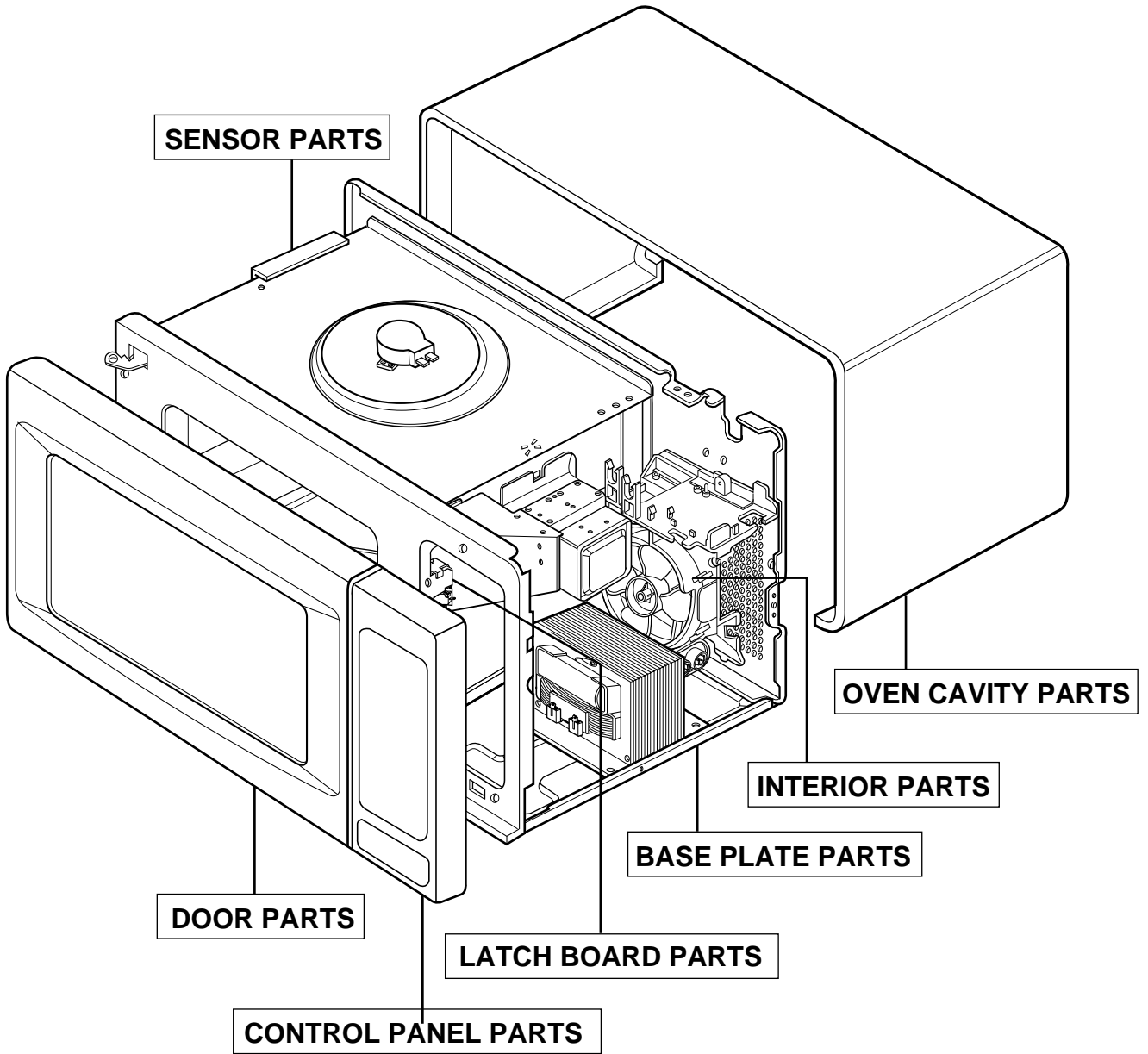
[Find Your GE Microwave Parts - Select From 3055 Models](#)

----- Manual continues below -----

# EXPLODED VIEW

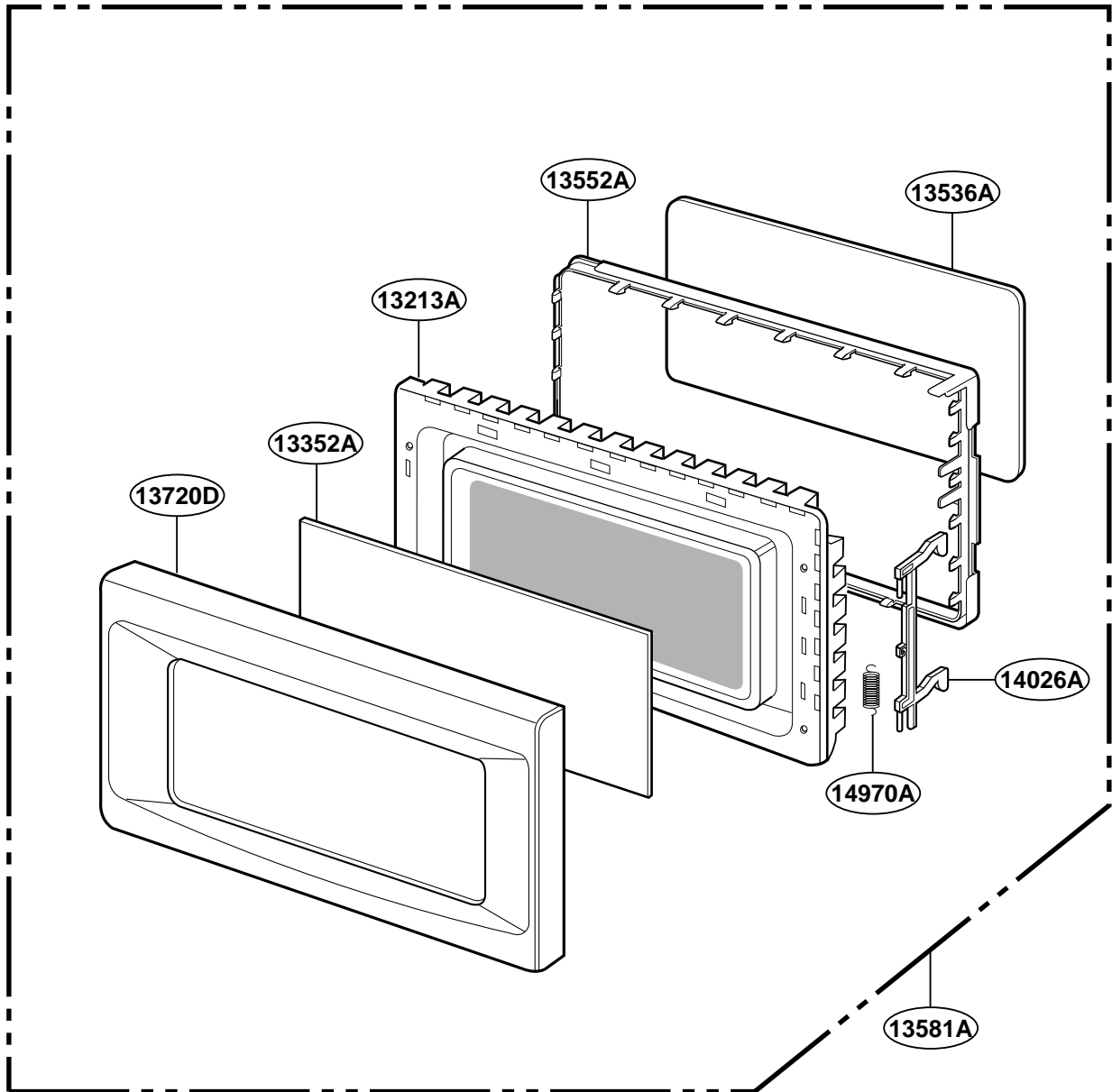
## INTRODUCTION

JES1855P



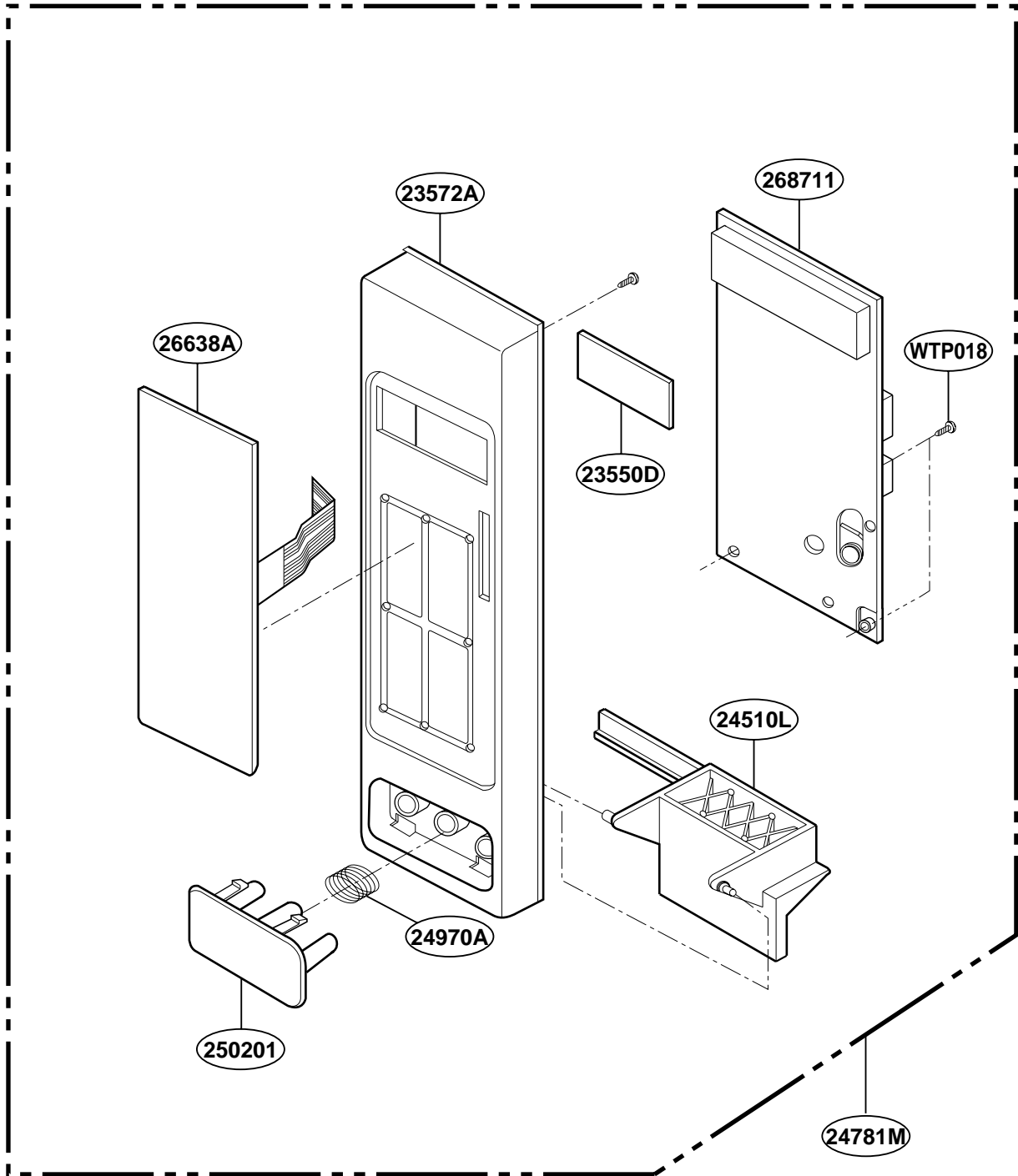
# DOOR PARTS

JES1855P



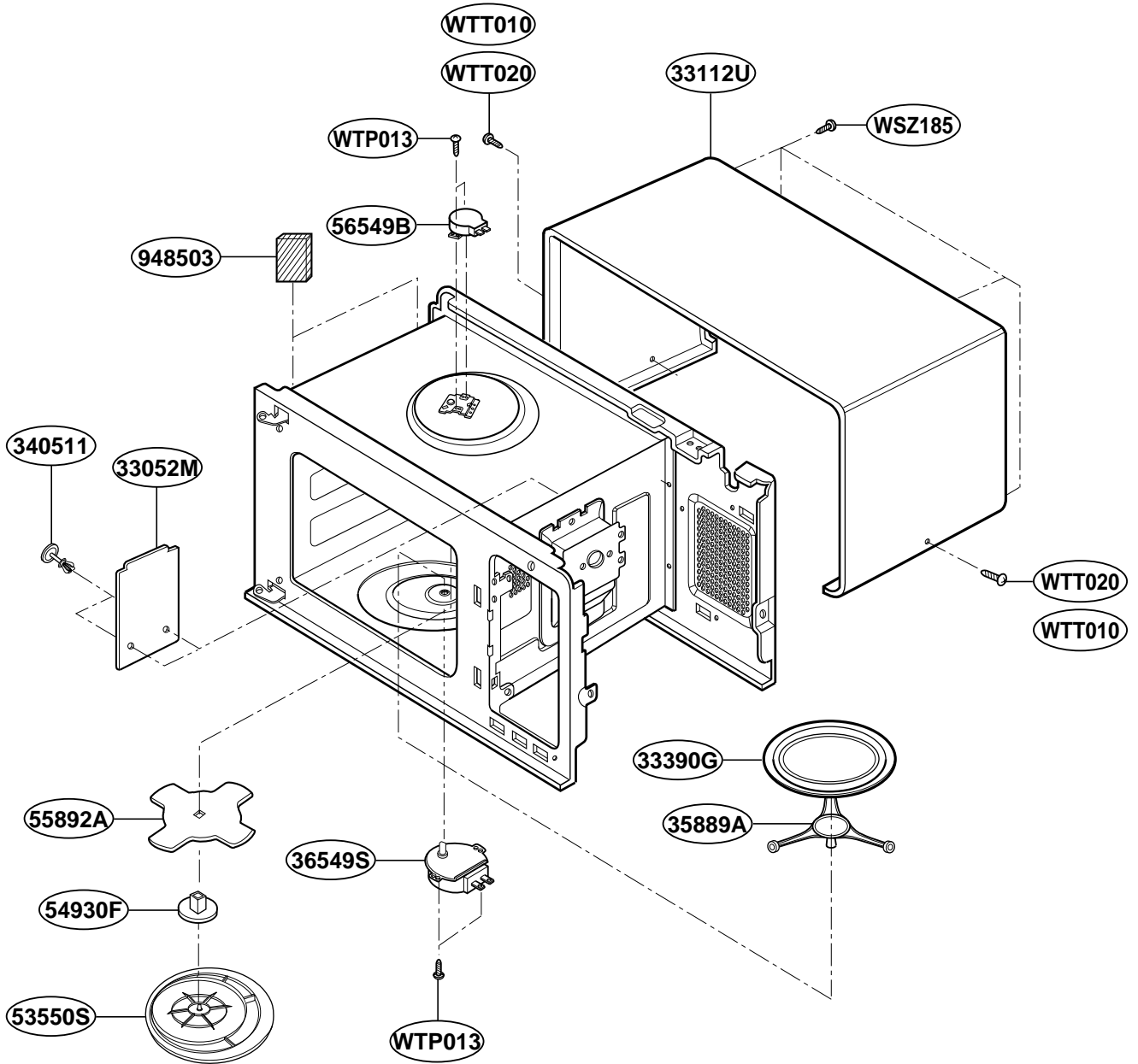
# CONTROL PANEL PARTS

JES1855P



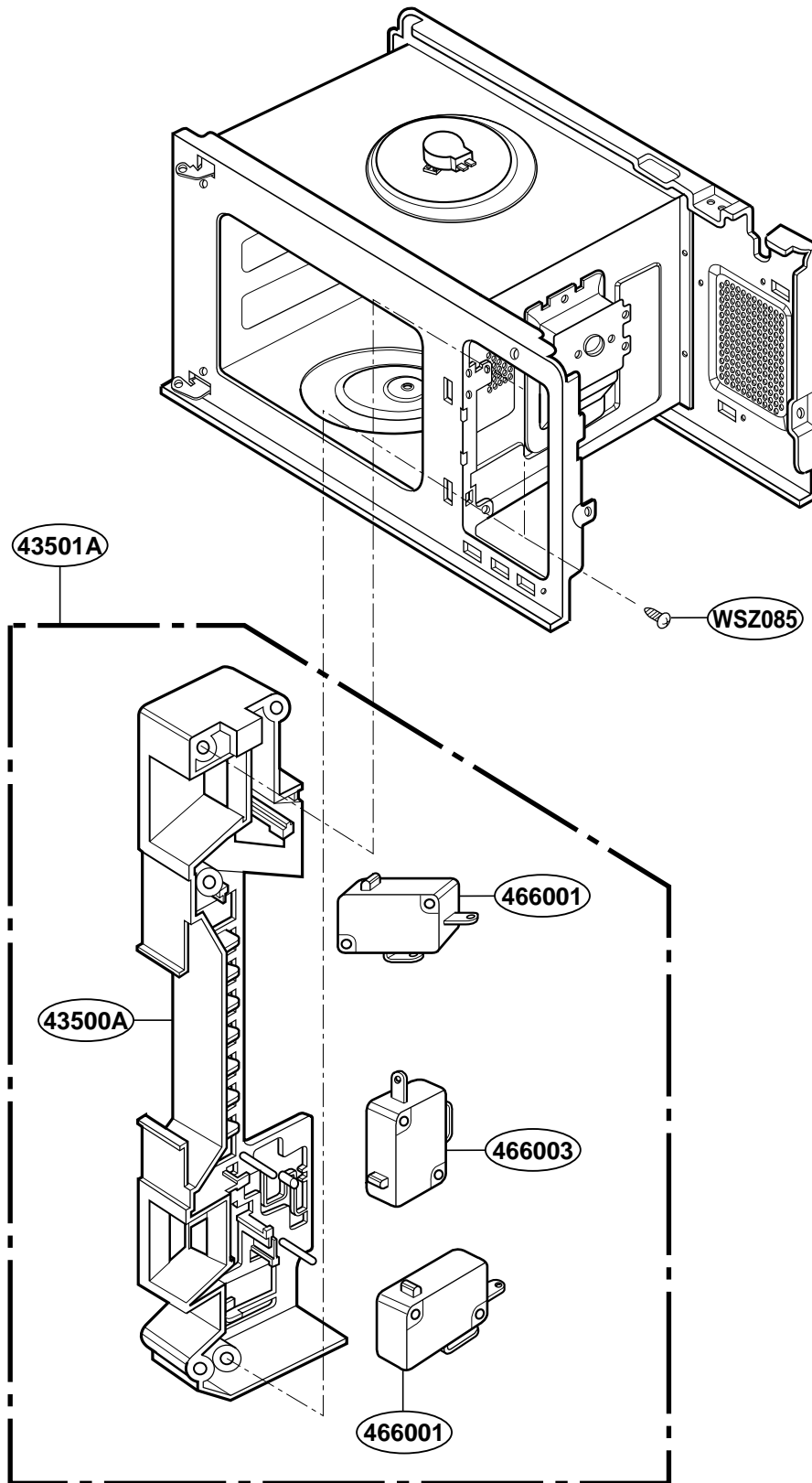
# OVEN CAVITY PARTS

JES1855P



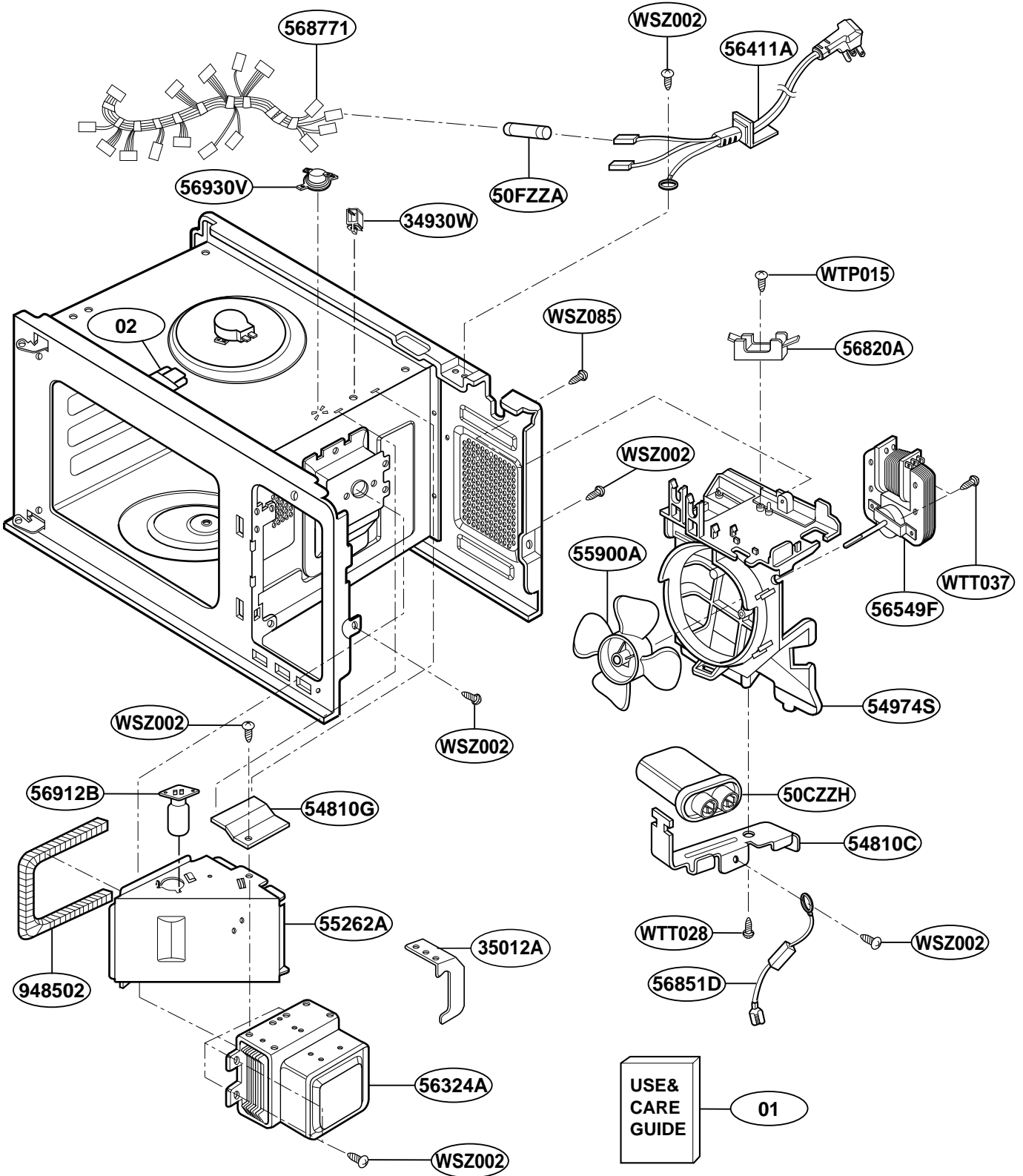
# LATCH BOARD PARTS

JES1855P



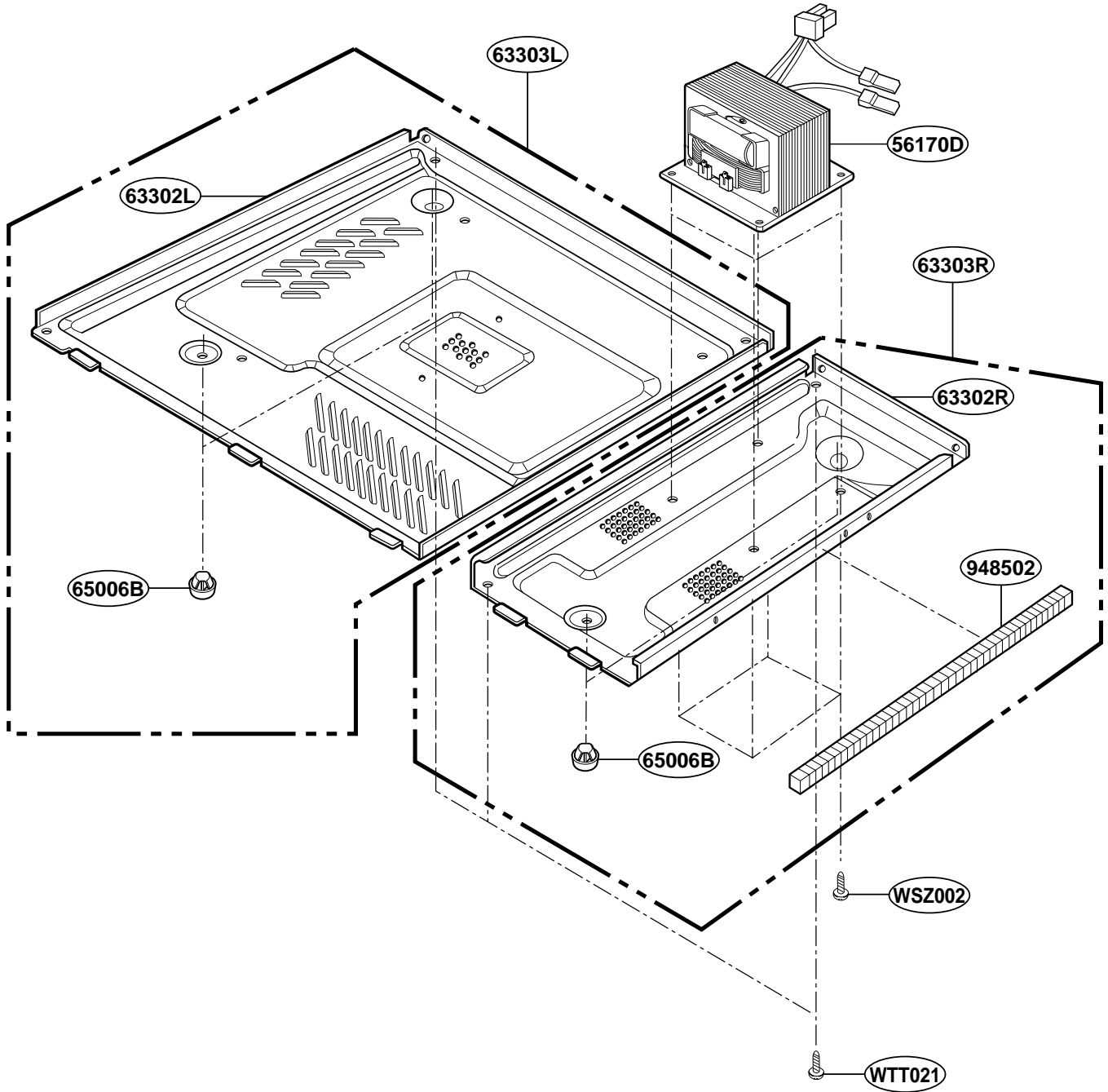
# INTERIOR PARTS

## JES1855P



# BASE PLATE PARTS

JES1855P



# SENSOR PARTS

JES1855P

