

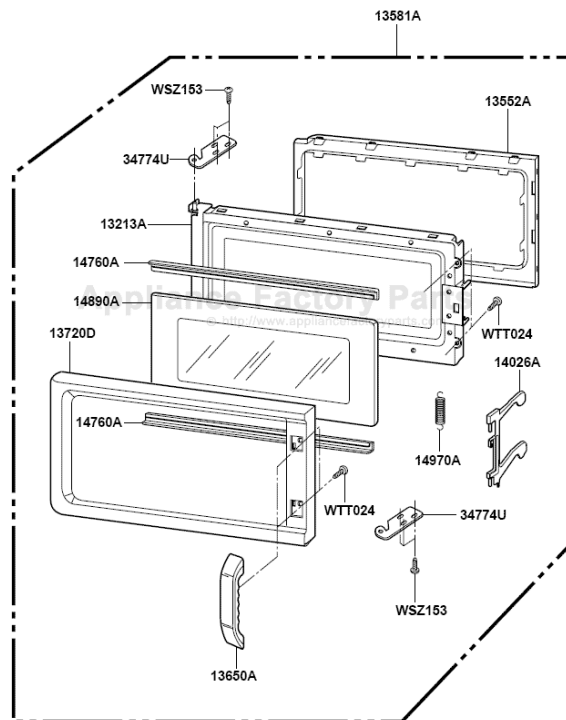
This Owner's Manual is provided and hosted by [Appliance Factory Parts](#).



Jenn Air JMV9118AAQ Owner's Manual

[Shop genuine replacement parts for Jenn Air
JMV9118AAQ](#)

DOOR PARTS

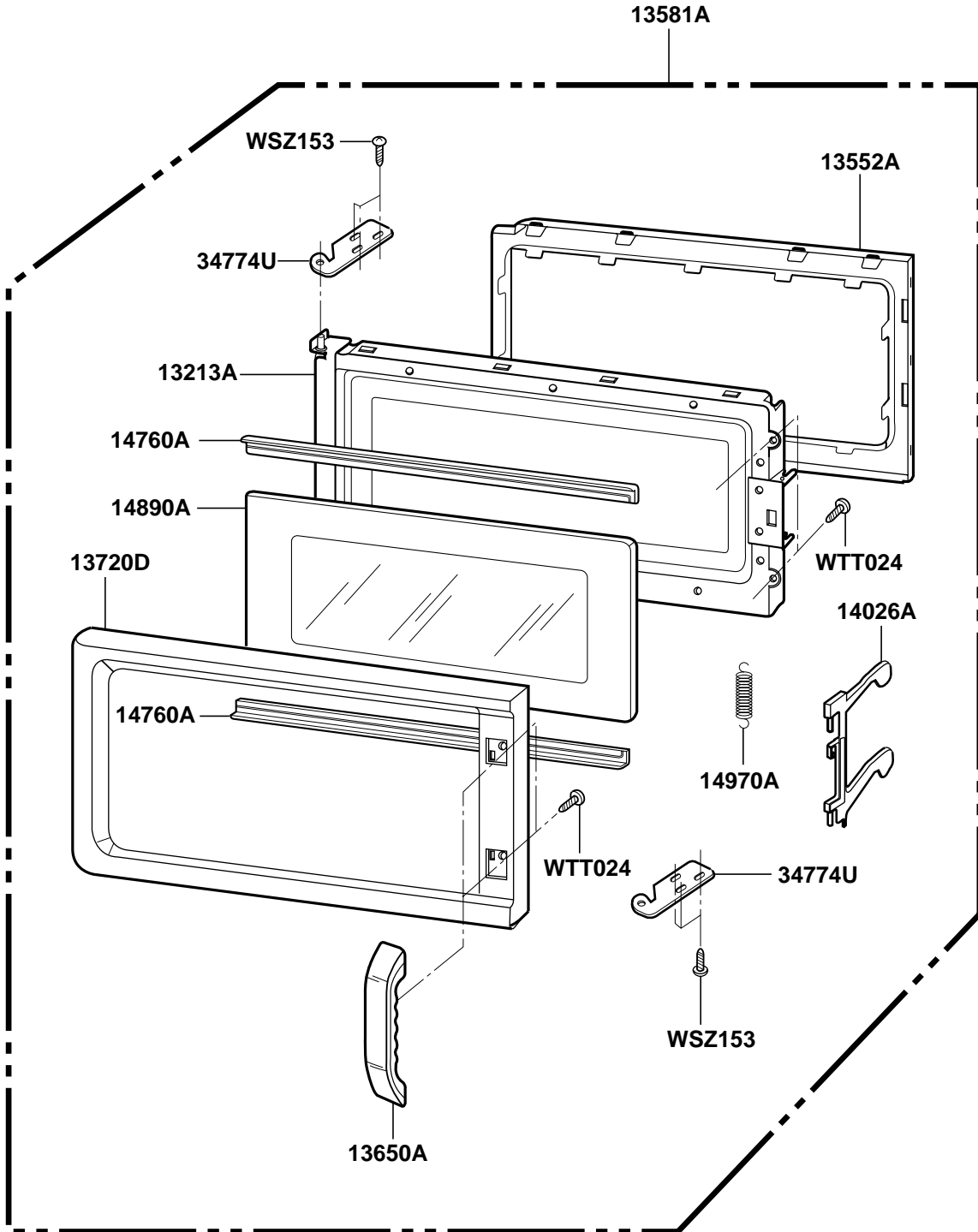


[Find Your Jenn Air Microwave Parts - Select From 40 Models](#)

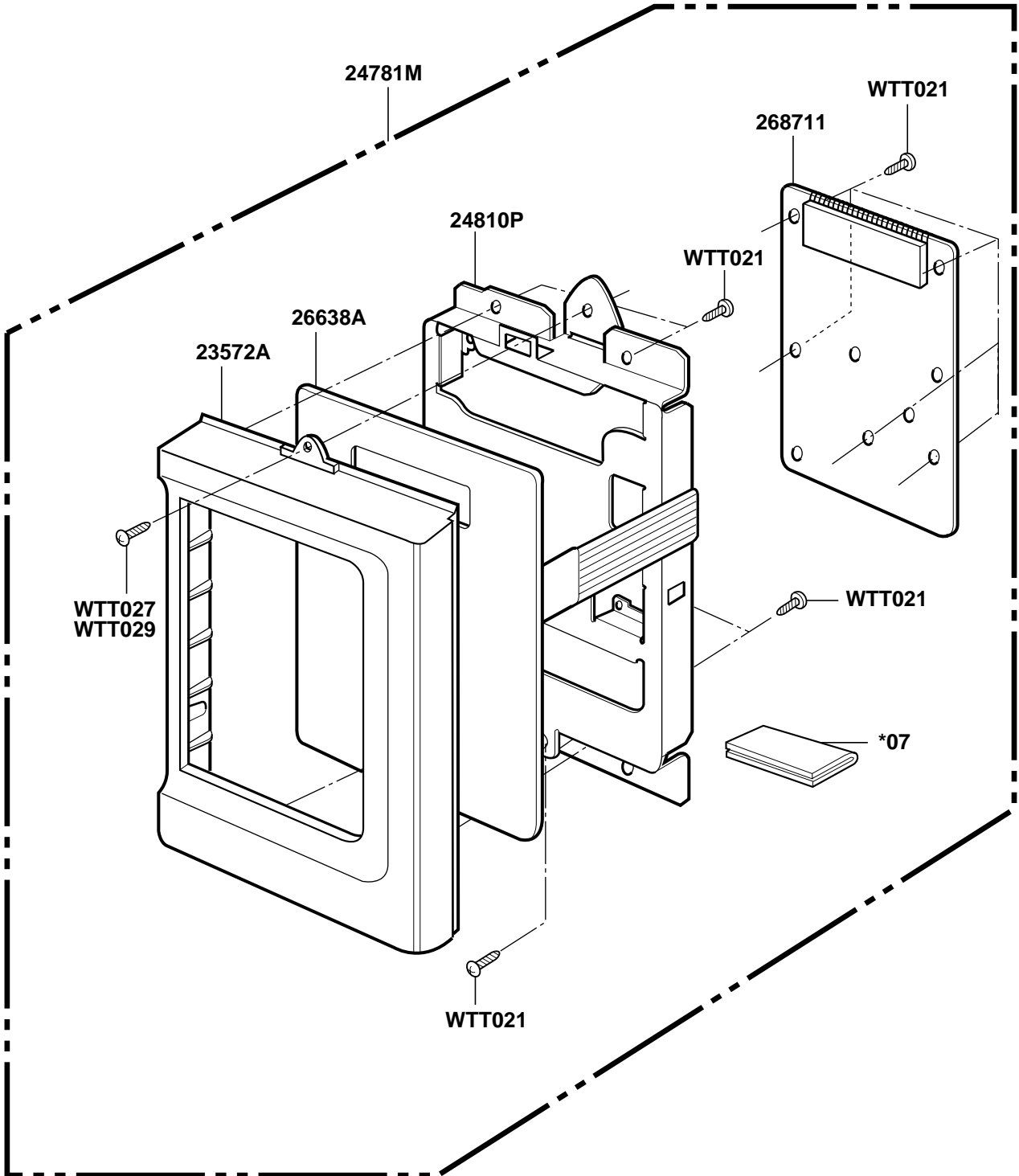
----- Manual continues below -----

EXPLODED VIEW

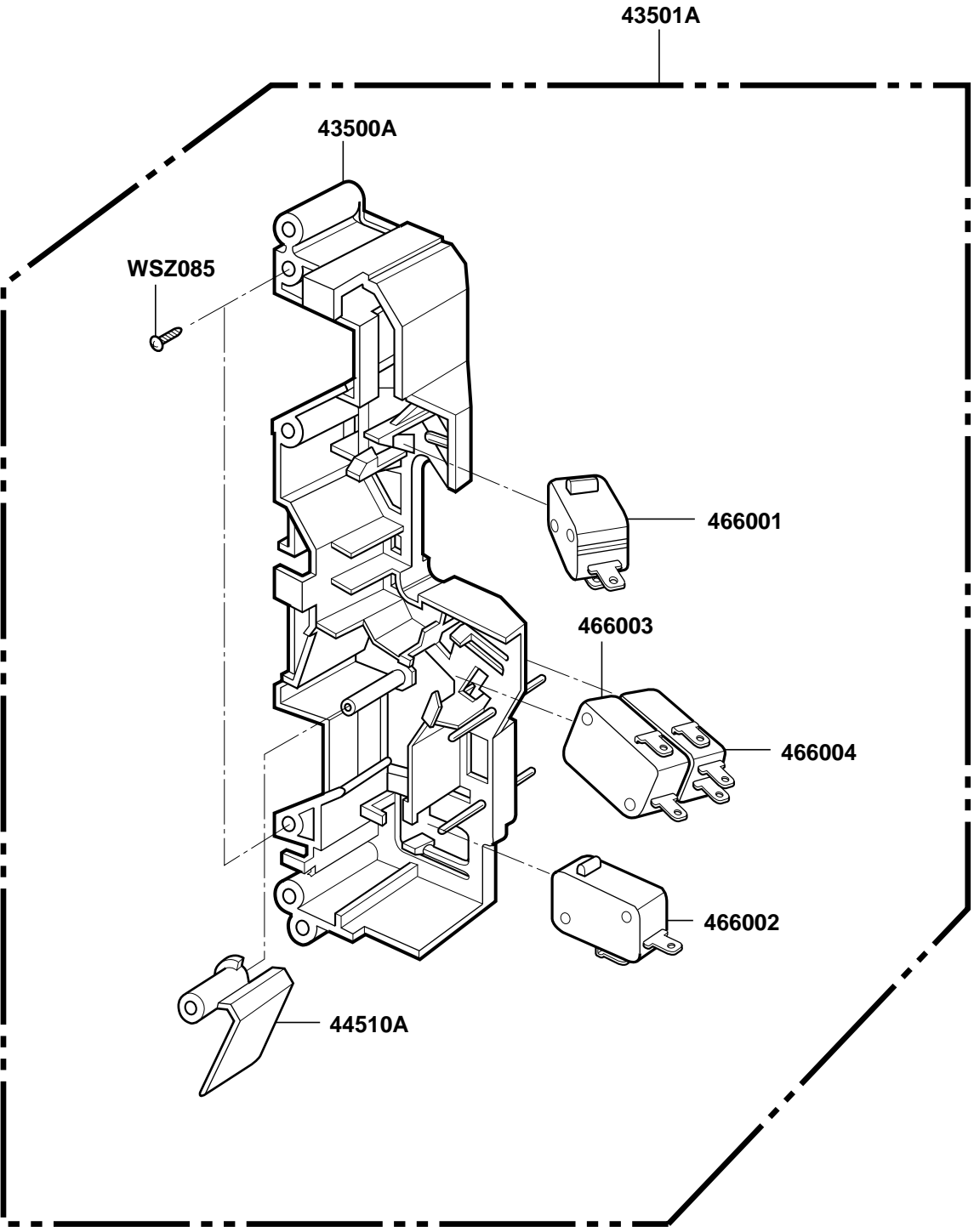
DOOR PARTS



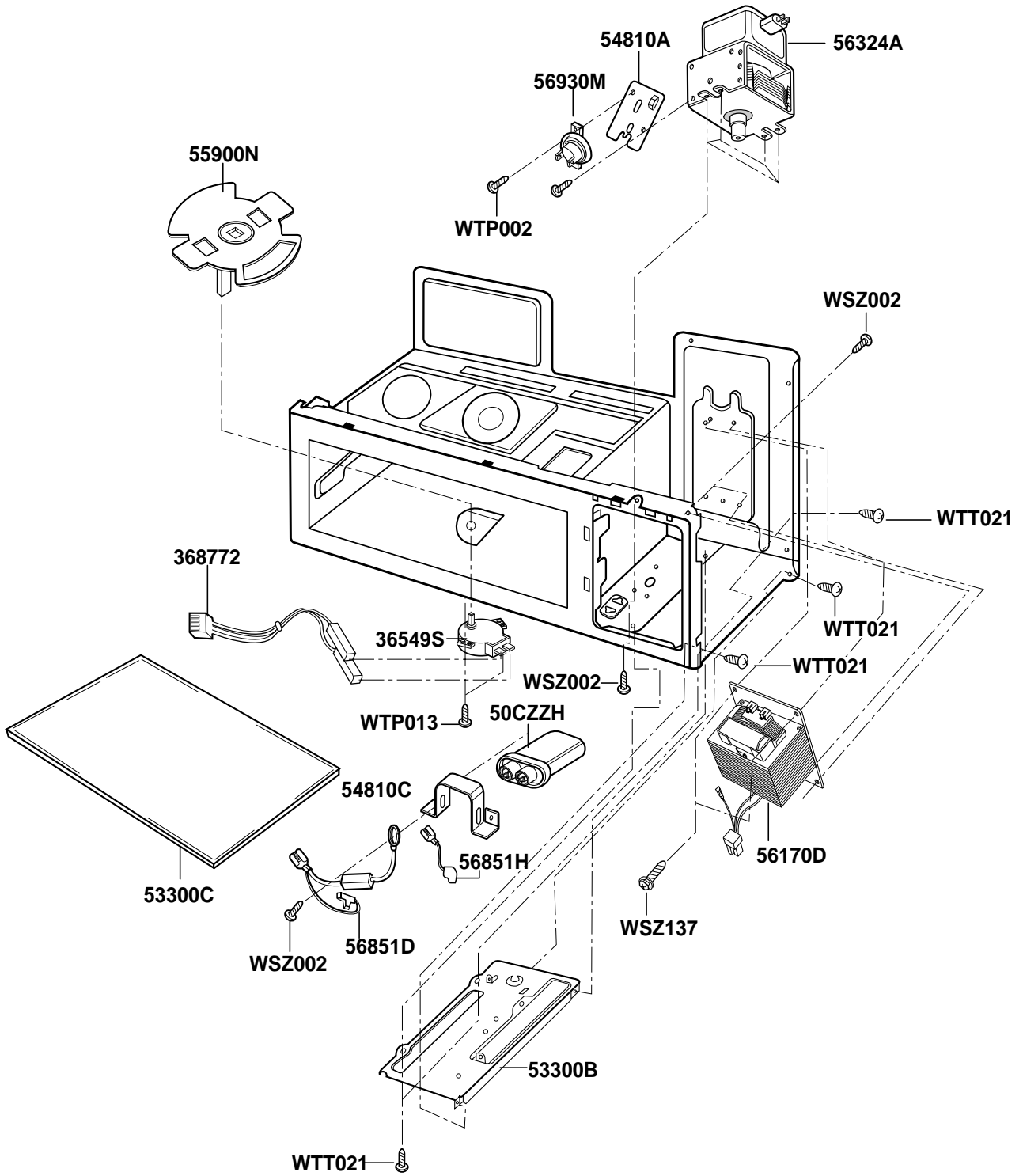
CONTROLLER PARTS



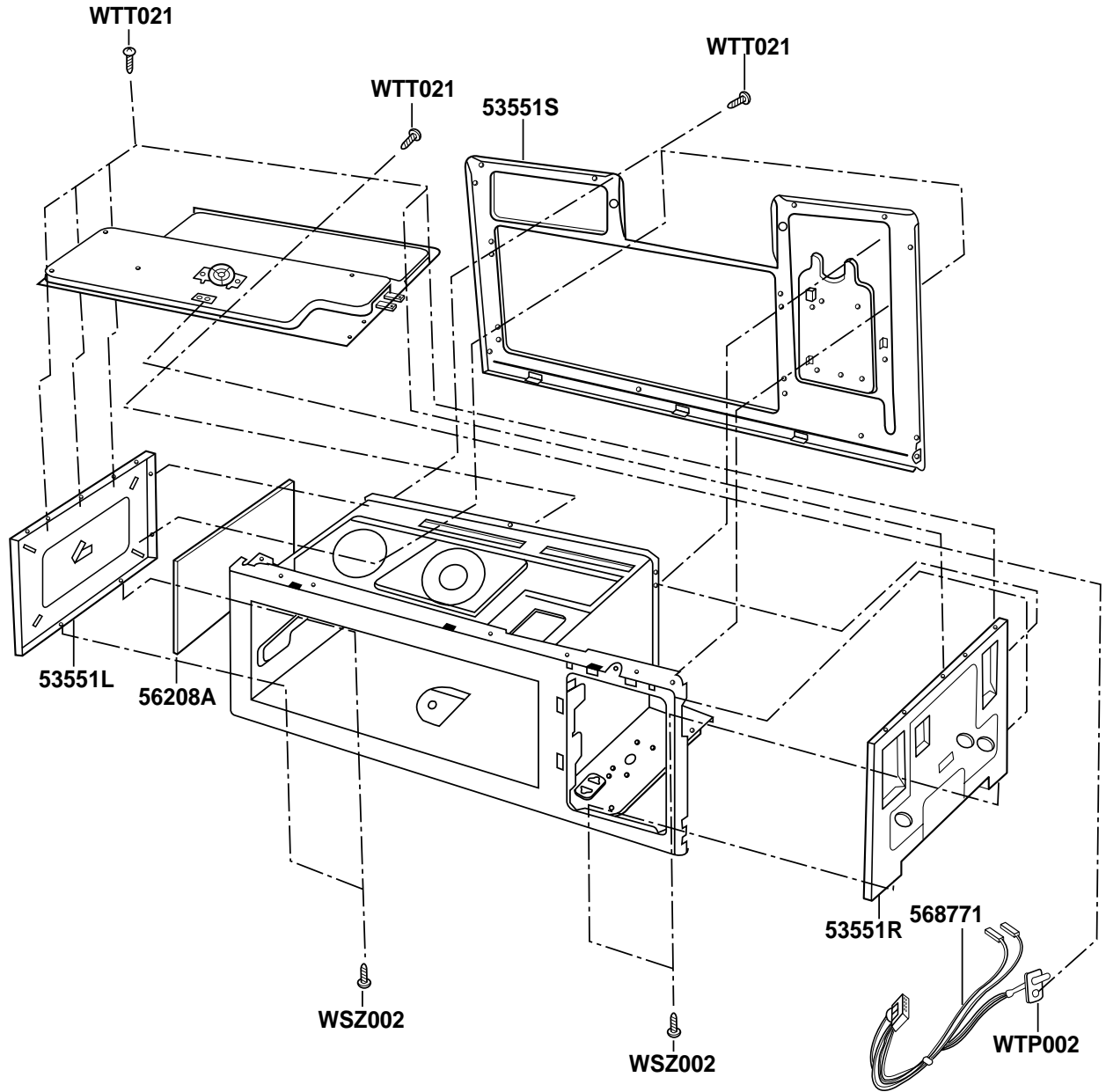
LATCH BOARD PARTS



INTERIOR PARTS(I)



INTERIOR PARTS(III)



INSTALLATION PARTS

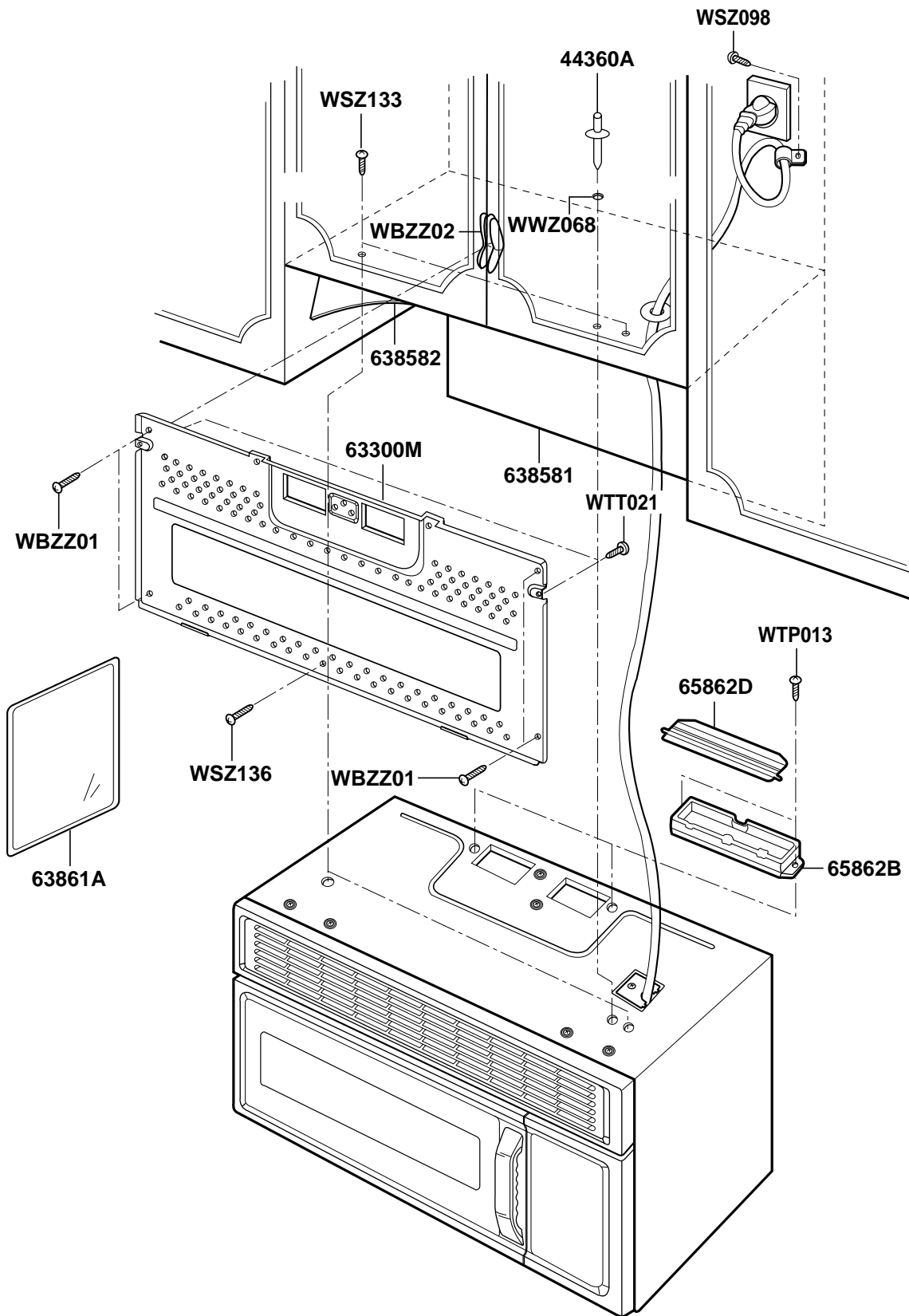


PLATE CHAMBER ASSY PARTS

